

Horizontal Openwell Submersible Pumpsets

Lubi Horizontal Openwell Submersible Pumpsets are manufactured under strict quality assurance for years of efficient and reliable operation. Following are some of the special features.

SALIENT FEATURES

- Pumpset are designed to withstand voltage drops to 320 volts.
- It has well designed sleeve and thrust bearing of adequate capacity for longer life.
- High operating efficiencies of pumpset result into high water discharge rate and lower power bills.
- All components are precisely machined on modern precision machine tools to give you years of reliable operation.
- Stator and rotor of the monoset are vacuum impregnated with synthetic varnish and epoxy coated for corrosion resistance.
- All rotating components are dynamically balanced to ensure long bearing life and vibration free smooth operation.
- All pumpsets are fully tested prior to despatch.

CONSTRUCTION

Motor Body	: Cast Iron / Stainless Steel
Stator	: Vacuum Impregnated and epoxy coated for corrosion resistance. Thick end laminations are provided to protect motor windings.
Rotor	: Vacuum impregnated, shot blasted & coated with poly urethane colour for corrosion resistance & dynamically balanced for vibration free smooth operation.
Winding	: PVC / Polyester insulated, water cooled.
Journal Bearings	: Leaded Bronze and Stainless Steel, Water Lubricated, having high load bearing capacity.
Thrust Bearings	: Carbon Vs Stainless Steel and water lubricated to withstand high axial thrust loads.
Pressure Equalizing Diaphragm	: Adequately sized to accommodate expansion of water inside th motor and prevent loss cooling water
Impeller	: Graded Cast Iron & Dynamically balanced.
Casing	: High grade Cast Iron.
Wear Rings	: High quality abrasion resistance Bronze.
Shaft	: Stainless Steel of adequate diameter to ensure rigidity and ground to close tolerances.
Cable Sealing Arrangement	: Designed so that no borewell water with sand can enter the motor.

APPLICATION

- Irrigation from open wells especially where there is wide fluctuation in water levels.
- Community water supply from open wells.
- Fountains.
- Canals / Rivers belt irrigation.
- Water supply for high-rise building.

LHS Series

Cast Iron Body, 50Hz, 415V (-15% & +6%) Three Phase, 2880 RPM

Pump Type	H.P.	Size in mm	Head in Metres															
			6	8	12	16	20	24	26	28	32	36	40	42	44	48	52	58
			Discharge in L.P.M.															
LHS-1A	3.00	50 x 38				370	350	310	280	260	210	120						
LHS-2	3.00	65 x 65		750	700	510	360											
LHS-2AH	3.00	65 x 50				580	540	480	440	200								
LHS-3A	3.00	80 x 65	860	840	780	570												
LHS-4A	5.00	50 x 38								480	430	340	250	200	140			
LHS-5A	5.00	65 x 50						590	570	550	500	280						
LHS-5B	5.00	65 x 50									470	400	320	280	230			
LHS-5AH	5.00	65 x 50						670	630	580	470	200						
LHS-5	5.00	65 x 65			1040	900	750	540										
LHS-5H	5.00	65 x 65					750	670	540	450	240							
LHS-6	5.00	80 x 80		890	870	850	760											
LHS-6A	5.00	80 x 65			1160	1100	800	350										
LHS-16	5.00	100 x 100	1520	1430	1240	850												
LHS-9A	7.50	65 x 50							840	810	720	630	510	420	310			
LHS-9B	7.50	65 x 50										520	490	480	460	410	340	240
LHS-9AH	7.50	65 x 50								890	830	720	600	520	460			
LHS-9	7.50	65 x 65							730	720	700	540						
LHS-10 *	7.50	80 x 80						1040	970	820								
LHS-17	7.50	100 x 100		2000	1850	1600	1120											
LHS-19	7.50	125 x 125	3500	2900														
LHS-13AH	10.0	65 x 50								1260	1200	1080	1020	960	900	750	570	
LHS-14 *	10.0	80 x 80					1120	1100	1080	1050	1000	720						
LHS-15 *	10.0	100 x 100					1420	1300	1200	1100								
LHS-18	10.0	100 x 100		2250	2100	1850	1200											
LHS-20	10.0	125 x 125	3500	3300	2800	1250												

Note :

- LHS : C. I. Construction with copper rotor.
- All pumps with * are ISI marked.
- Please select pumps in the range of discharge shown in bold figure.

LHS Series

Cast Iron Body, 50Hz, 415V (-15% & +6%) Three Phase, 2880 RPM

Pump Type	H.P.	Size in mm	Head in Metres																
			10	14	18	22	26	30	34	38	42	46	50	54	58	62	66	68	72
			Discharge in L.P.M.																
LHS-21A	12.50	65 x 65				970	960	940	920	860	750	600	420	330					
LHS-21L	12.50	50 x 50					1410	1390	1370	1310	1160	950	670						
LHS-21H	12.50	50 x 50									810	790	740	700	650	590	500	440	300
LHS-23	12.50	80 x 80			1660	1600	1550	1450	1180	800									
LHS-24	12.50	100 x 80		1810	1750	1680	1570	1430	1250										
LHS-25	12.50	100 x 100		1860	1790	1700	1600	1370	1200	800									
LHS-27L	15.00	50 x 50							1480	1420	1370	1260	1170	1000	780				
LHS-27H	15.00	50 x 50										920	915	910	900	890	870	840	520
LHS-28	15.00	65 x 65								980	850	710	460	380					
LHS-30	15.00	100 x 80					1550	1450	1200	760									
LHS-31	15.00	100 x 100			2200	2000	1800	1500	1280	960									
LHS-32	15.00	125 x 125	3550	3050	2000														
LHS-33	20.00	65 x 65										1300	1200	1100	1000	880	750	670	
LHS-34	20.00	80 x 80								1730	1600	1460	1300	1100					
LHS-34A	20.00	80 x 65										1840	1700	1600	1480	1280	1080	620	
LHS-35	20.00	100 x 100				2480	2400	2300	1860	1650	1000								
LHS-36	20.00	125 x 125		3550	3200	2700	2100	900											
LHS-37	25.00	80 x 80									1680	1550	1400	1220	1100	950			
LHS-38	25.00	100 x 100						2050	1900	1750	1400	1080	500						
LHS-39	25.00	125 x 125			3870	3530	3080	2650											
LHS-40	30.00	80 x 80													1700	1620	1450	1350	1150
LHS-41	30.00	100 x 100							2750	2400	2200	2050	1660	1500					
LHS-42	30.00	125 x 125					3200	3050	2400										
LHS-43	30.00	150 x 150		5180	4550	4030	3140	2500	2380										

Note :

■ Please select pumps in the range of discharge shown in bold figure.

LHS Series

Cast Iron Body 50 Hz, 230 V (-10% & +10%) Single Phase, 415 V (-15% & +6%) Three Phase, 2880 RPM

Model		H.P.	Size in mm	Head in Metres											
1-Phase	3-Phase			6	8	10	12	14	16	18	20	22	24	26	28
Discharge in L.P.M.															
LHS-150B *	-	0.50	25 x 25	210	180	130	110	90							
LHS-150BH	-	0.50	25 x 25		172	170	160	140	130						
LHS-151	LHS-51	1.00	25 x 25					290	240	230	180	120			
LHS-152	LHS-52	1.00	40 x 40			290	270	250	180	120					
-	LHS-53	1.00	50 x 40		310	290	270	200							
-	LHS-54	1.00	50 x 50	550	530	370	220								
LHS-155	LHS-55	1.50	40 x 40								240	190	170	110	
LHS-156	LHS-56	1.50	50 x 40					260	240	200	160	80			
LHS-157	LHS-57	1.50	50 x 50			390	340	270							
LHS-158	LHS-58	2.00	40 x 40								250	230	200	180	
LHS-159	LHS-59	2.00	50 x 40								350	320	280	230	
LHS-160	LHS-60	2.00	50 x 50						370	330	220				
-	LHS-61	2.00	65 x 50			580	420	360	240						
-	LHS-64	2.00	80 x 80	870	740	610									

LHD Series

Oil Filled Monoset, 50 Hz, Three Phase, 2880 RPM

Pump Type	H.P.	Size in mm	Head in Metres					
			20	24	26	28	32	36
Discharge in L.P.M.								
LHD - 2AH	3.00	65 x 50	540	480	420	340		
LHD - 5A	5.00	65 x 50	585	570	560	550	460	300
LHD - 5AH	5.00	65 x 50		670	630	580	470	320

Note :

- LHD Series Voltage Range - 180 to 350 volts.
- Please select pumps in the range of discharge shown in bold figure.

LHL Series

50Hz, 415V (-15% & +6%) Three Phase, 2880 RPM

Model	H.P.	Size in mm	Head in Metres																
			6	8	12	16	20	24	26	28	32	36	40	42	44	48	52	56	
			Discharge in L.P.M.																
LHL-1A	3.00	50 x 38				370	350	310	280	260	210	120							
LHL-1 *	3.00	50 x 50				490	450	360	300										
LHL-2 *	3.00	65 x 65		750	700	510	360												
LHL-2A *	3.00	65 x 50		530	500	450	400	280											
LHL-2AH	3.00	65 x 50				580	540	480	440	200									
LHL-3A	3.00	80 x 65	860	840	780	570													
LHL-3	3.00	80 x 80	1120	980	870														
LHL-4 *	5.00	50 x 50							330	300	270	220	170	130	80				
LHL-4A *	5.00	50 x 38								480	430	340	250	200	140				
LHL-5A *	5.00	65 x 50							590	570	550	500	280						
LHL-5B	5.00	65 x 50										470	400	320	280	230			
LHL-5AH *	5.00	65 x 50							670	630	580	470	200						
LHL-5 *	5.00	65 x 65			1040	900	750	540											
LHL-5H *	5.00	65 x 65					750	670	540	450	240								
LHL-6 *	5.00	80 x 80		890	870	850	760												
LHL-6A *	5.00	80 x 65			1160	1010	800	350											
LHL-16 *	5.00	100 x 100	1520	1430	1240	850													
LHL-8 *	7.50	65 x 50											455	400	370	340	260		
LHL-9A	7.50	65 x 50							840	810	720	630	510	420	310				
LHL-9B	7.50	65 x 50											520	490	480	460	410	340	240
LHL-9AH	7.50	65 x 50								890	830	720	600	520	460				
LHL-9 *	7.50	65 x 65							730	720	700	540							
LHL-10 *	7.50	80 x 80						1040	970	820									
LHL-11 *	7.50	100 x 100			1450	1300	1075	740											
LHL-17	7.50	100 x 100		2000	1850	1600	1120												
LHL-19	7.50	125 x 125	3500	2900															
LHL-13AH	10.0	65 x 50								1160	1130	1070	960	880	810	600			

Note :

- LHL : 3 & 5 HP also available with copper rotor.
- LHL : 0.5 to 2.0 HP with S.S. Motor body & 3.0 to 10.0 HP with C.I. Motor body.
- Please select pumps in the range of discharge shown in bold figure.

HORIZONTAL (Single Phase)

LHL Series - Stainless Steel Construction, 50Hz, 230V (±10%), Single Phase, 2880 RPM

LHE Series - Sheet Metal Construction, 50Hz, 230V (±10%), Single Phase, 2880 RPM










Model	H.P.	Size in mm	Head in Metres													
			6	8	10	12	14	16	18	20	22	24	26	28	30	32
			Discharge in L.P.M.													
LHL-150B *	0.50	25 x 25	210	180	130	110	90									
LHL-150BH	0.50	25 x 25		172	170	160	140	130								
LHL-151 *	1.00	25 x 25					290	240	230	180	120					
LHL-151H	1.00	25 x 25								220	190	180	128	80	60	
LHL-152 *	1.00	40 x 40			290	270	250	180	120							
LHL-153 *	1.00	50 x 40		310	290	270	200									
LHL-154 *	1.00	50 x 50	550	530	370	220										
LHL-155 *	1.50	40 x 40								240	190	170	110			
LHL-156 *	1.50	50 x 40					260	240	200	160	80					
LHL-157 *	1.50	50 x 50			390	340	270									
LHL-158 *	2.00	40 x 40									250	230	200	180		
LHL-159 *	2.00	50 x 40								350	320	280	230			
LHL-160 *	2.00	50 x 50						370	330	220						
LHL-161 *	2.00	65 x 50			580	420	360	240								
LHL-164 *	2.00	80 x 80	870	740	610											
LHL-101A	3.00	50 x 38								350	325	310	280	260	230	210
LHL-101	3.00	50 x 50								450	410	360	300			
LHL-102AH	3.00	65 x 50				650	620	600	540	510	450	390	200			
LHL-103A	3.00	80 x 65		840	800	780	660	570								
LHL-103	3.00	80 x 80	1120	980	930	870										

Note :

- 1.0 HP to 2.0 HP monosets are available in two phase also.
- All pumps with * are ISI marked.
- Please select pumps in the range of discharge shown in bold figure.

• STAR RATING PUMPSETS •

Cast Iron Body, 50 Hz, 415 V (-15% & +6%) Three Phase, 2880 RPM

Model	H.P.	Size in mm	Star Rating	Head in Metres											
				14	16	18	20	22	24	28	32	34	38		
				Discharge in L.P.M.											
LHL-1	3.00	50 x 50			490	420	400	330	280						
LHL-2	3.00	65 x 65			510	460	360	300							
LHL-5A	5.00	65 x 50			940	860	760	630	570						
LHL-5	5.00	65 x 65			900	780	740	580	500						
LHL-6A	5.00	80 x 65			960	880	780	730							
LHL-6	5.00	80 x 80		850	840	800	750	680	500						
LHL-9	7.50	65 x 65							700	660	610	540	360		
LHL-9A	7.50	65 x 50						840	810	610					
LHL-10	7.50	80 x 80						1080	980	780					



Horizontal Submersible Pumps (0.50 HP to 2.00 HP)



Performance Range

- Flow rate up to 950 l/min. (57 m³/h)
- Dynamic head up to 42 m.

Applications

- For clean liquids without abrasives, which are non - aggressive for the pump materials. (Solids content up to 0.2 %)
- Canals / River belt irrigation.
- For water supply.
- Fountains.
- For fire fighting applications.
- For civil and industrial applications.
- For heating, cooling, air - conditioning and circulation plants.

Special Features on Request

- Other voltages.
- Available in 60Hz.

Motor

- 2 - pole submersible motor
50Hz (n = 2900 RPM)
- Single phase :
230V +5 - 15 %
- Three phase :
400V +5 -15 %
- Protection IP 68

Operating Conditions

- Liquid temperature up to 35°.
- Ambient temperature up to 50°.
- Minimum submergence depth 0.5 mtr.
- Continuous duty.
- For Control Box (refer page no. 8)

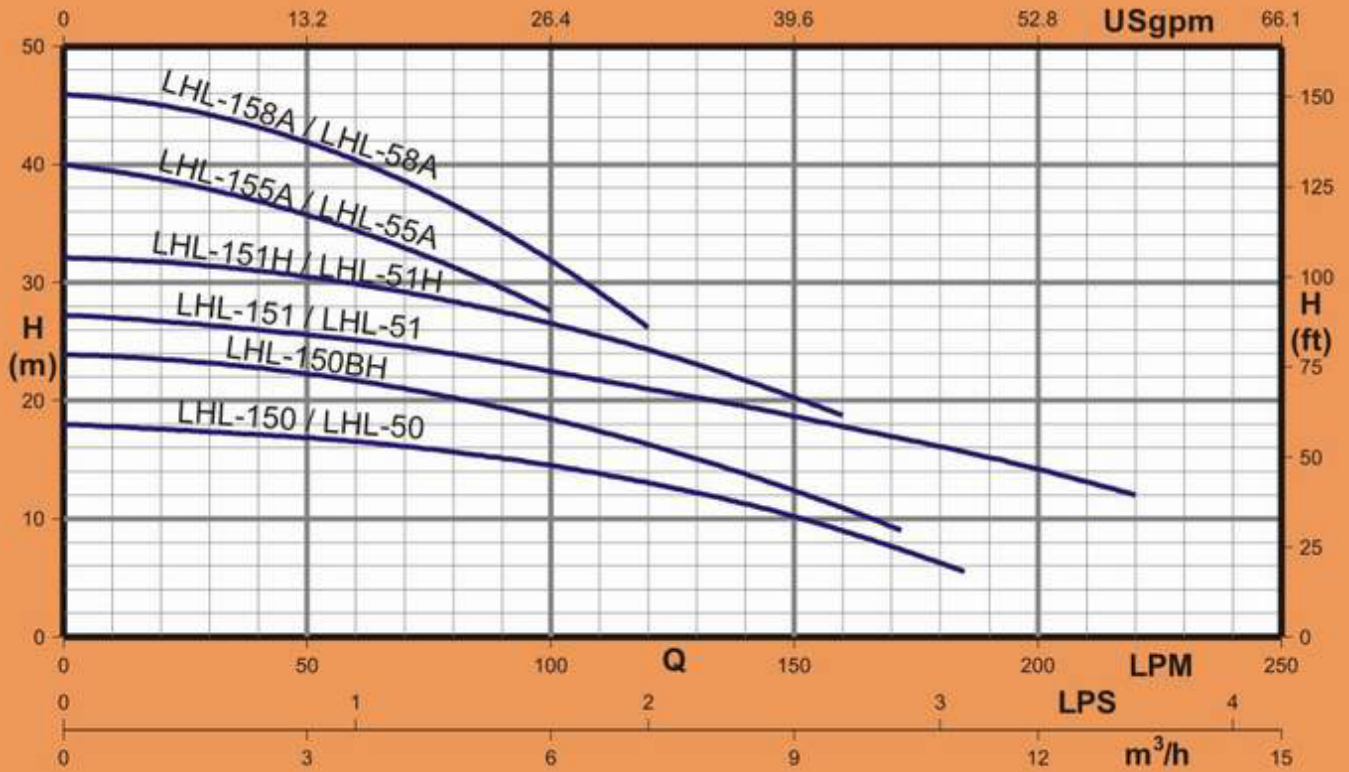
Material

COMPONENTS	MATERIAL
Pump Casing	Grey Iron
Impeller	Grey Iron / Bronze
Adaptor	Grey Iron
Lower Bearing Housing	Grey Iron
Stator Frame	Stainless Steel
Shaft	Stainless Steel

NOTE : For Bronze impeller please add a subscript "B" to model no.
For Ex. : LHL-150 for Grey Iron impeller, LHL-150B for Bronze impeller.

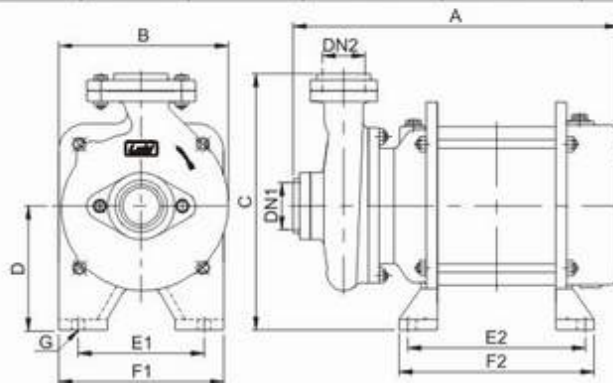


PERFORMANCE CHART AT n = 2900 RPM FOR 1" X 1" PUMPS



PERFORMANCE DATA AT n = 2900 RPM

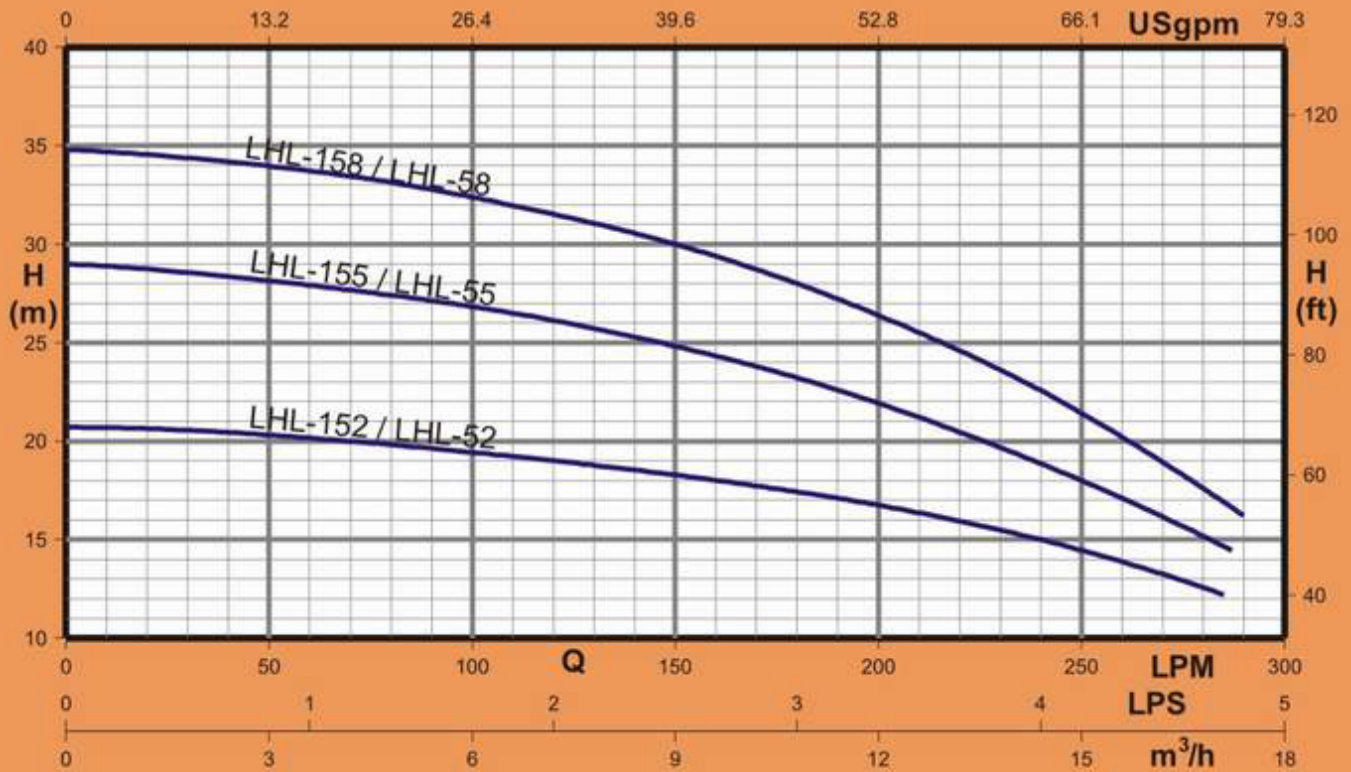
MODEL	MODEL	POWER		m ³ /h	3	4.5	6	9	12
		kW	HP						
Single Phase	Three Phase			l/min	50	75	100	150	200
LHL-150	LHL-50	0.37	0.5	H (m)	17	16	15	10	-
LHL-150BH	-	0.37	0.5		22	21	18.5	12.5	-
LHL-151	LHL-51	0.75	1.0		26	24.5	22.5	19	14
LHL-151H	LHL-51H	0.75	1.0		30	29	27	20	-
LHL-155A	LHL-55A	1.10	1.5		36	32	28	-	-
LHL-158A	LHL-58A	1.50	2.0		42	38	32	-	-



DIMENSIONS

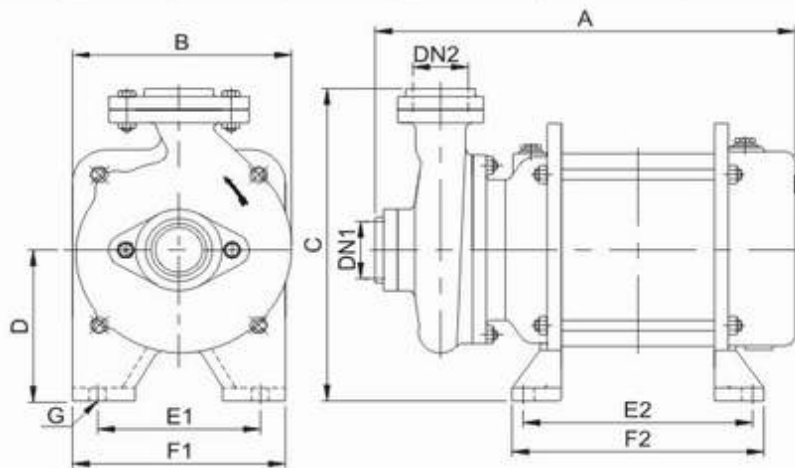
MODEL		DN1	DN2	DIMENSIONS mm									GROSS WEIGHT kg.	VOLUME m ³
Single Phase	Three Phase			A	B	C	D	E1	E2	F1	F2	G		
LHL-150	LHL-50	1"	1"	304	158	234	115	117	166	153	180	12	19.0	0.0312
LHL-150BH	-	1"	1"	290	168	230	87	110	55	140	95	Ø12.7	18.0	0.0290
LHL-151	LHL-51	1"	1"	345	178	256	115	117	196	153	212	12	32.0	0.1014
-	LHL-51H	1"	1"	335	178	256	115	117	186	153	202	12	30.0	0.0741
LHL-155A	-	1"	1"	377	204	287	115	117	221	153	237	12	41.0	0.1092
-	LHL-55A	1"	1"	362	204	287	115	117	206	153	222	12	38.0	0.0819
LHL-158A	-	1"	1"	387	204	287	115	117	251	153	267	12	44.0	0.1092
-	LHL-58A	1"	1"	362	204	287	115	117	226	153	242	12	39.5	0.0819

PERFORMANCE CHART AT n = 2900 RPM FOR 1-1/2" X 1-1/2" PUMPS



PERFORMANCE DATA AT n = 2900 RPM

MODEL	MODEL	POWER		m ³ /h l/min	3	6	9	12	15
Single Phase	Three Phase	kW	HP		50	100	150	200	250
LHL-152	LHL-52	0.75	1.0	H (m)	20.5	19.5	18	17	14.5
LHL-155	LHL-55	1.10	1.5		28	27	25	22	18
LHL-158	LHL-58	1.50	2.0		34	32.5	30	26.5	21.5

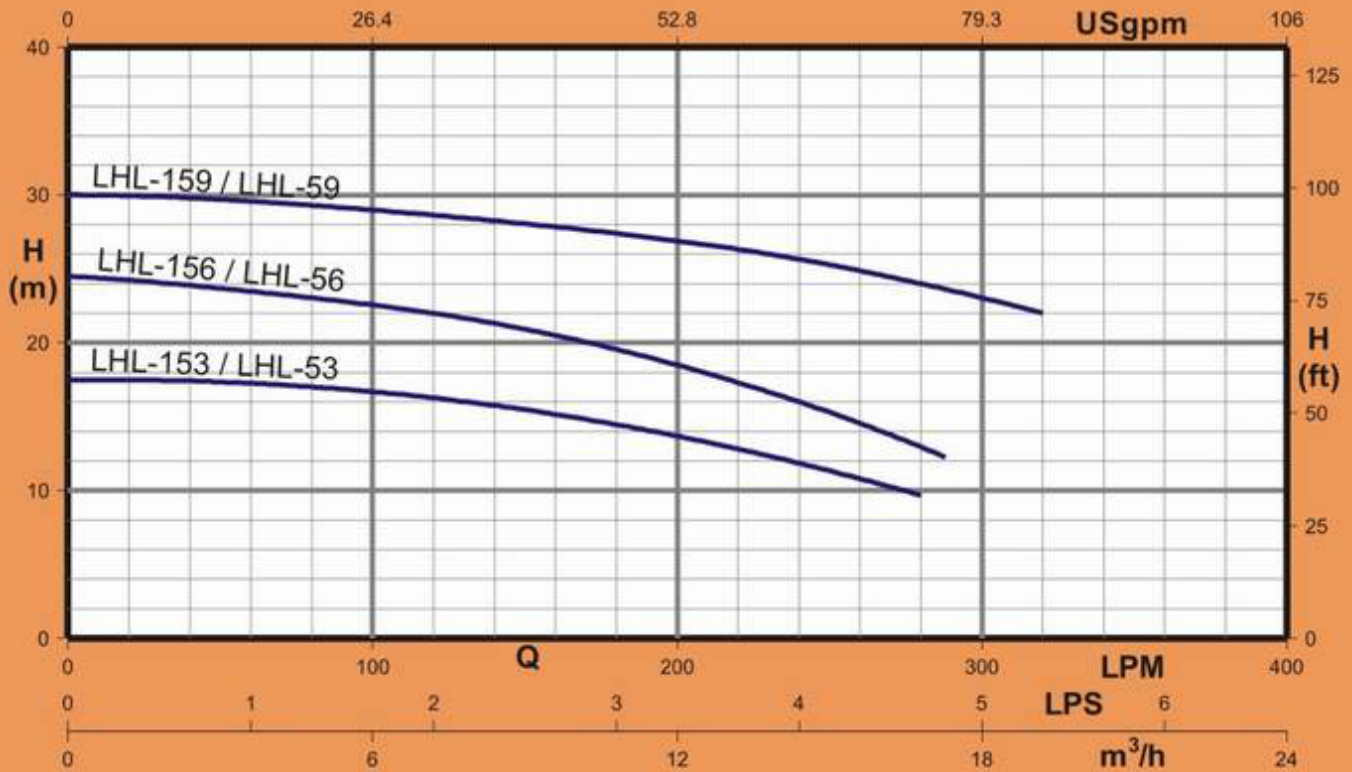


DIMENSIONS

MODEL		DN1	DN2	DIMENSIONS mm								GROSS WEIGHT kg.	VOLUME m ³	
Single Phase	Three Phase			A	B	C	D	E1	E2	F1	F2			G
LHL-152	-	1- 1/2"	1- 1/2"	342	176	256	115	117	196	153	212	12	33.0	0.1014
-	LHL-52	1- 1/2"	1- 1/2"	332	176	256	115	117	186	153	202	12	31.0	0.0741
LHL-155	-	1- 1/2"	1- 1/2"	377	204	287	115	117	221	153	237	12	41.0	0.1092
-	LHL-55	1- 1/2"	1- 1/2"	362	204	287	115	117	206	153	222	12	38.0	0.0819
LHL-158	-	1- 1/2"	1- 1/2"	387	204	287	115	117	251	153	267	12	44.0	0.1092
-	LHL-58	1- 1/2"	1- 1/2"	362	204	287	115	117	226	153	242	12	39.5	0.0819

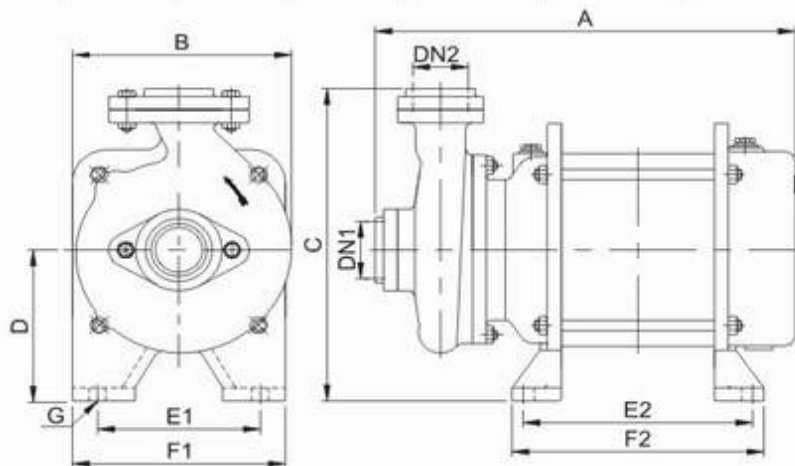


PERFORMANCE CHART AT n = 2900 RPM FOR 2" X 1-1/2" PUMPS



PERFORMANCE DATA AT n = 2900 RPM

MODEL	MODEL	POWER		m³/h	6	9	12	15	18
		kW	HP						
Single Phase	Three Phase			l/min	100	150	200	250	300
LHL-153	LHL-53	0.75	1.0	H (m)	17	15.5	14	11	8
LHL-156	LHL-56	1.10	1.5		22.5	21	18.5	15	11
LHL-159	LHL-59	1.50	2.0		29	28	27	25	23

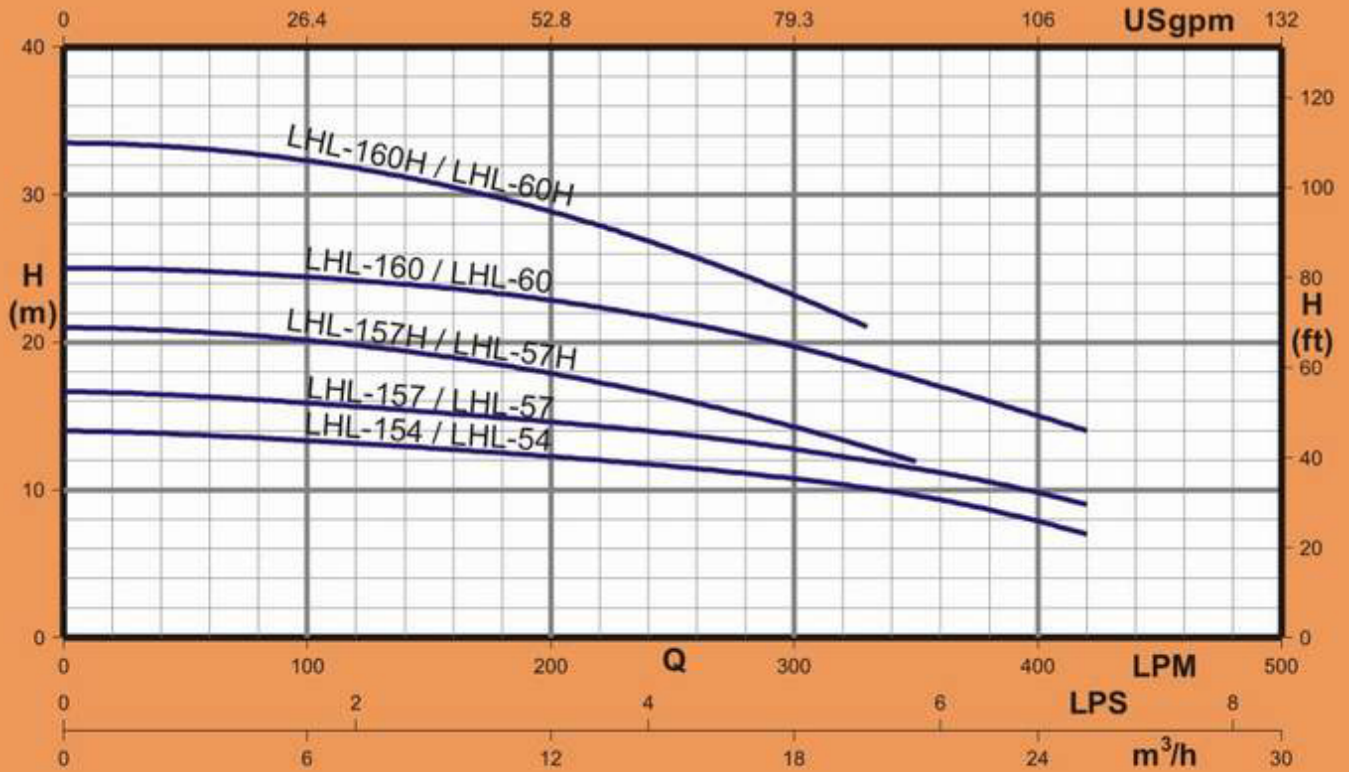


DIMENSIONS

MODEL		DN1	DN2	DIMENSIONS mm									GROSS WEIGHT kg.	VOLUME m³
Single Phase	Three Phase			A	B	C	D	E1	E2	F1	F2	G		
LHL-153	-	2"	1- 1/2"	360	172	265	115	117	196	153	212	12	33.0	0.1014
-	LHL-53	2"	1- 1/2"	350	172	265	115	117	186	153	202	12	31.0	0.0741
LHL-156	-	2"	1- 1/2"	385	185	271	115	117	221	153	237	12	39.0	0.1092
-	LHL-56	2"	1- 1/2"	370	185	271	115	117	206	153	222	12	36.0	0.0819
LHL-159	-	2"	1- 1/2"	415	213	290	115	117	251	153	267	12	44.0	0.1092
-	LHL-59	2"	1- 1/2"	390	213	290	115	117	224	153	242	12	39.5	0.0819

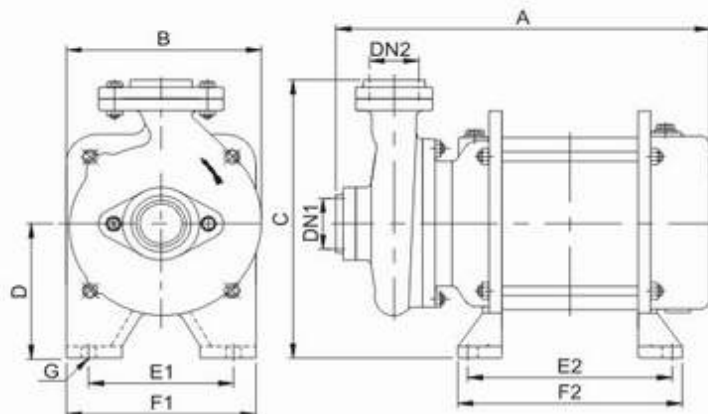


PERFORMANCE CHART AT n = 2900 RPM FOR 2" X 2" PUMPS



PERFORMANCE DATA AT n = 2900 RPM

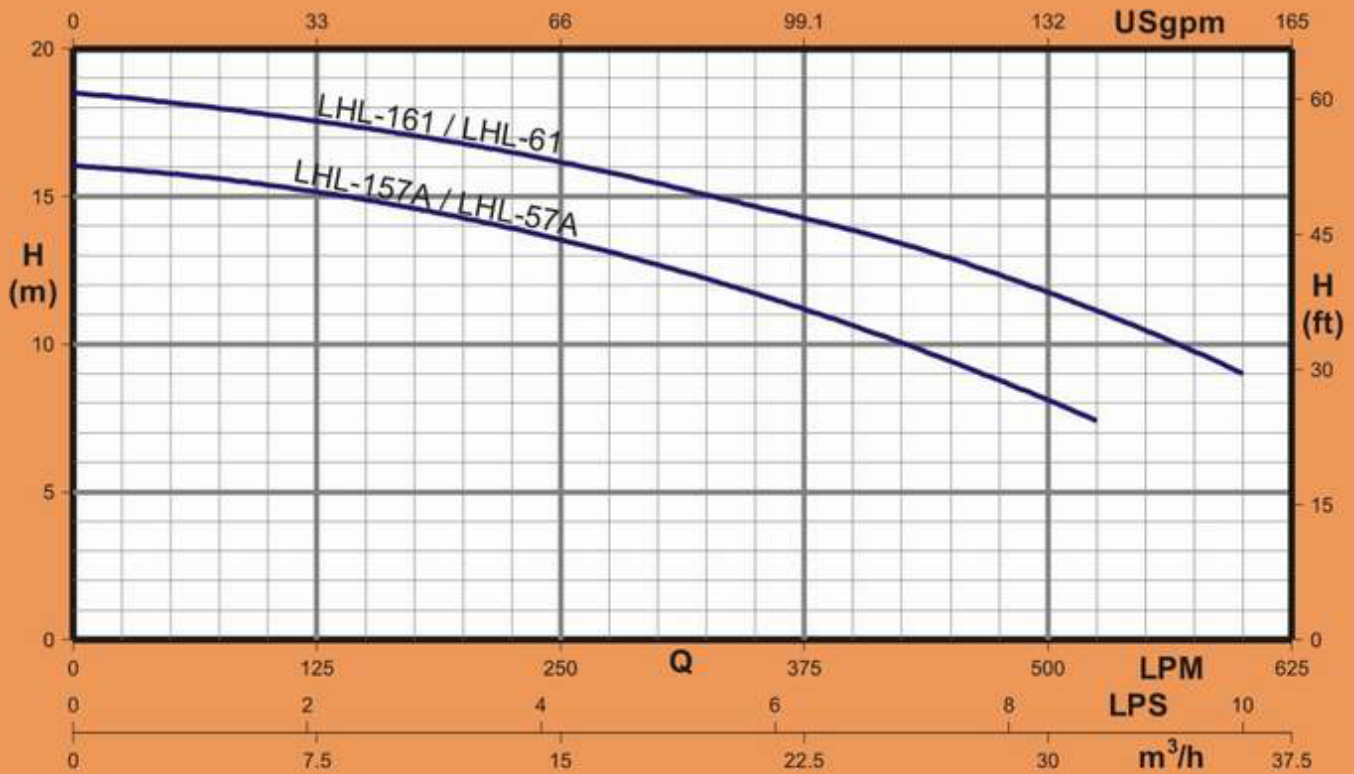
MODEL	MODEL	POWER		m ³ /h l/min	6	9	12	18	24
		kW	HP						
Single Phase	Three Phase				100	150	200	300	400
LHL-154	LHL-54	0.75	1.0	H (m)	13.5	13	12	11	8
LHL-157	LHL-57	1.10	1.5		16	15.5	15	13	10
LHL-157H	LHL-57H	1.10	1.5		20	19	18	14	-
LHL-160	LHL-60	1.50	2.0		24.5	24	23	20	15
LHL-160H	LHL-60H	1.50	2.0		32	31	29	23	-



DIMENSIONS

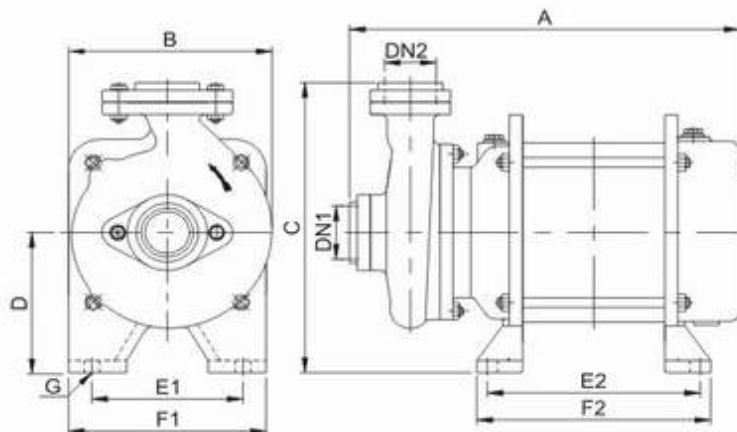
MODEL		DN1	DN2	DIMENSIONS mm									GROSS WEIGHT kg.	VOLUME m ³
Single Phase	Three Phase			A	B	C	D	E1	E2	F1	F2	G		
LHL-154	-	2"	2"	367	175	265	115	117	184	153	212	12	33.5	0.1014
-	LHL-54	2"	2"	357	175	265	115	117	186	153	202	12	31.5	0.0741
LHL-157 LHL-157H	-	2"	2"	392	175	265	115	117	221	153	237	12	39.0	0.1092
-	LHL-57 LHL-57H	2"	2"	377	175	265	115	117	206	153	222	12	36.0	0.0819
LHL-160 LHL-160H	-	2"	2"	422	197	278	115	117	251	153	267	12	43.0	0.1092
-	LHL-60 LHL-60H	2"	2"	397	197	278	115	117	226	153	242	12	38.5	0.0819

PERFORMANCE CHART AT n = 2900 RPM FOR 2-1/2" X 2" PUMPS



PERFORMANCE DATA AT n = 2900 RPM

MODEL	MODEL	POWER		m ³ /h	6	12	18	24	30
		Single Phase	Three Phase						
LHL-157A	LHL-57A	1.10	1.5	l/min	100	200	300	400	500
LHL-161	LHL-61	1.50	2.0	H	15.5	14.5	13	10.5	8
				(m)	17.5	17	15.5	14	12

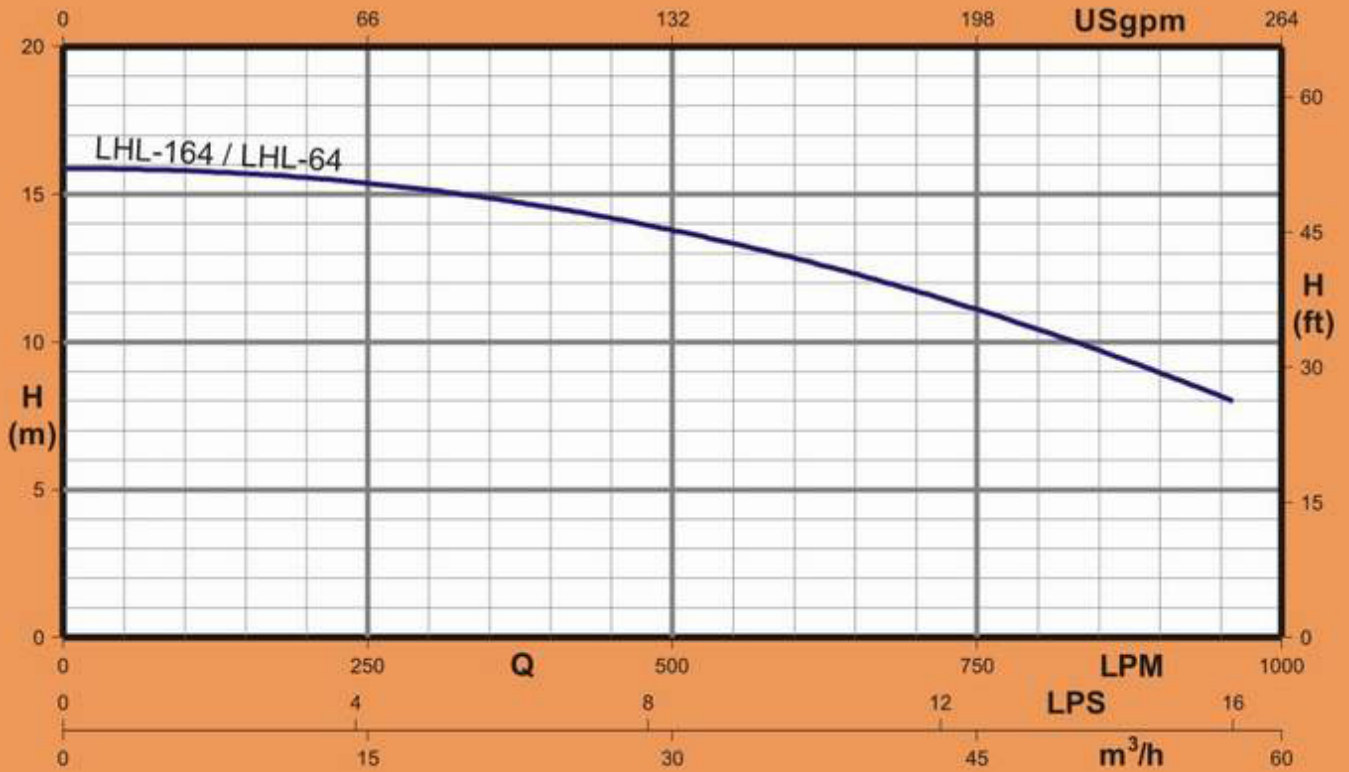


DIMENSIONS

MODEL		DN1	DN2	DIMENSIONS mm									GROSS WEIGHT kg.	VOLUME m ³
Single Phase	Three Phase			A	B	C	D	E1	E2	F1	F2	G		
LHL-157A	-	2- 1/2"	2"	392	175	265	115	117	221	153	237	12	39.0	0.1092
-	LHL-57A	2- 1/2"	2"	377	175	265	115	117	206	153	222	12	36.0	0.0819
LHL-161	-	2- 1/2"	2"	421	205	284	115	117	251	153	267	12	44.0	0.1092
-	LHL-61	2- 1/2"	2"	396	205	284	115	117	226	153	242	12	39.5	0.0819

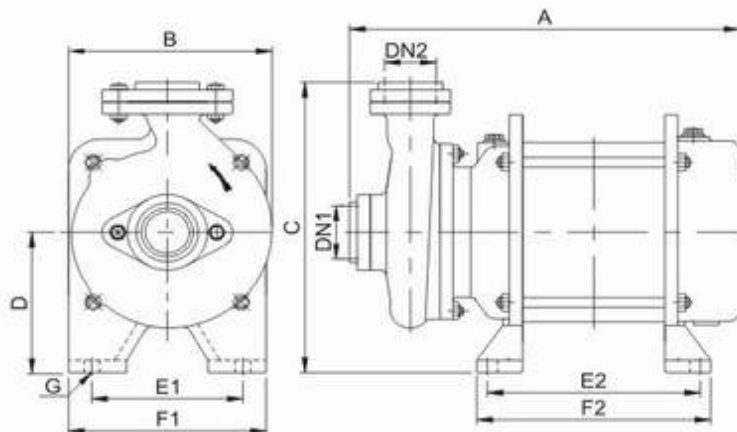


PERFORMANCE CHART AT n = 2900 RPM FOR 3" X 3" PUMPS



PERFORMANCE DATA AT n = 2900 RPM

MODEL	MODEL	POWER		m³/h	12	24	36	48	57
Single Phase	Three Phase	kW	HP	l/min	200	400	600	800	950
LHL-164	LHL-64	1.50	2.0	H (m)	15.5	14.5	13	10.5	8

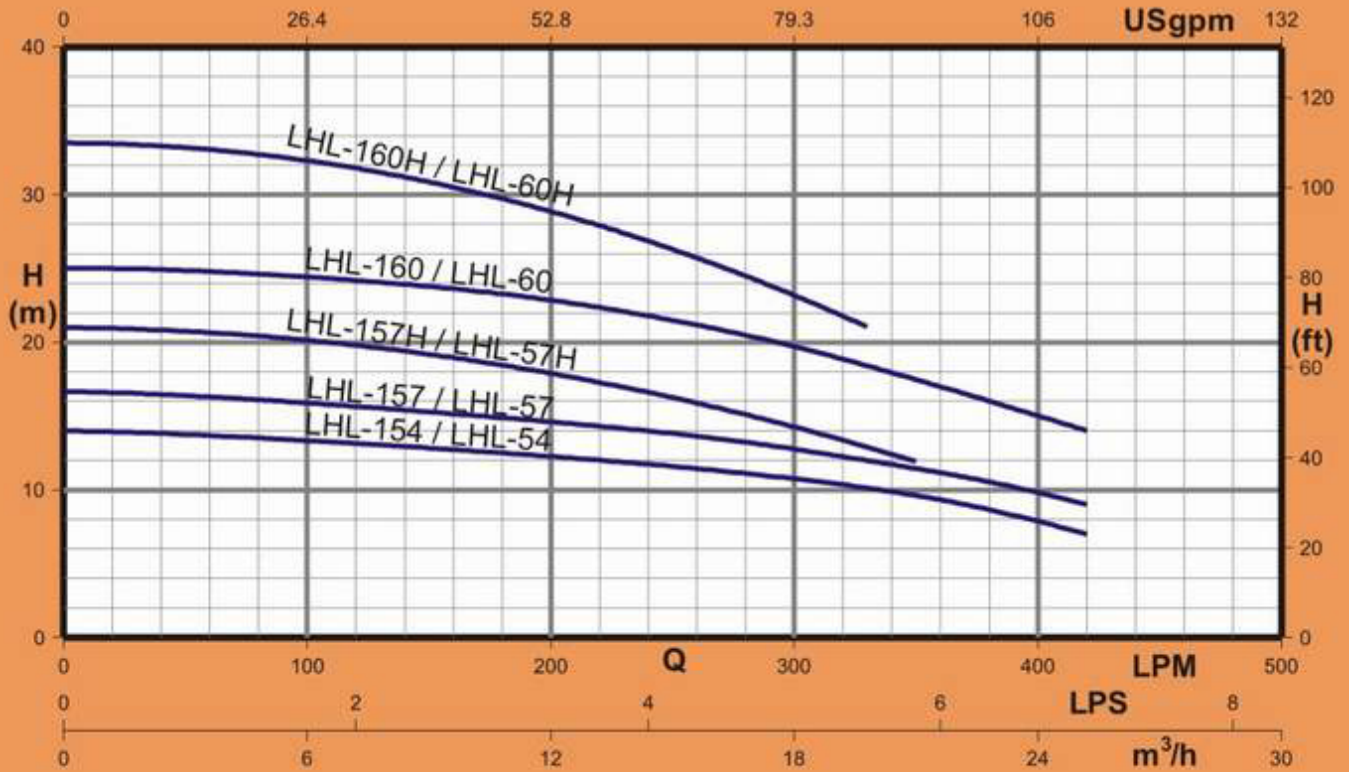


DIMENSIONS

MODEL		DN1	DN2	DIMENSIONS mm									GROSS WEIGHT kg.	VOLUME m³
Single Phase	Three Phase			A	B	C	D	E1	E2	F1	F2	G		
LHL-164	-	3"	3"	442	210	292	115	117	251	153	267	12	47.0	0.1092
-	LHL-64	3"	3"	417	210	292	115	117	226	153	242	12	42.5	0.0819

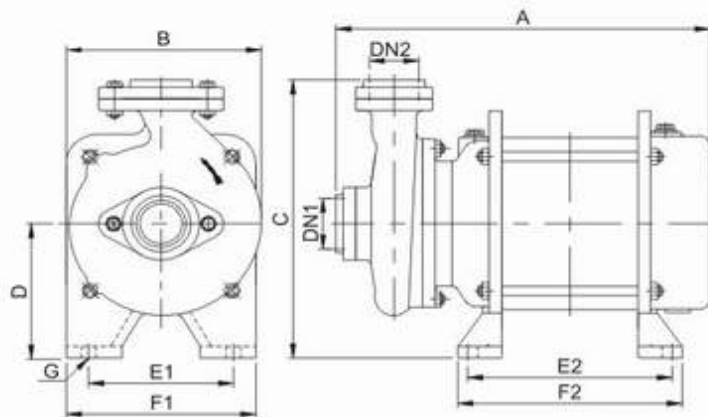


PERFORMANCE CHART AT n = 2900 RPM FOR 2" X 2" PUMPS



PERFORMANCE DATA AT n = 2900 RPM

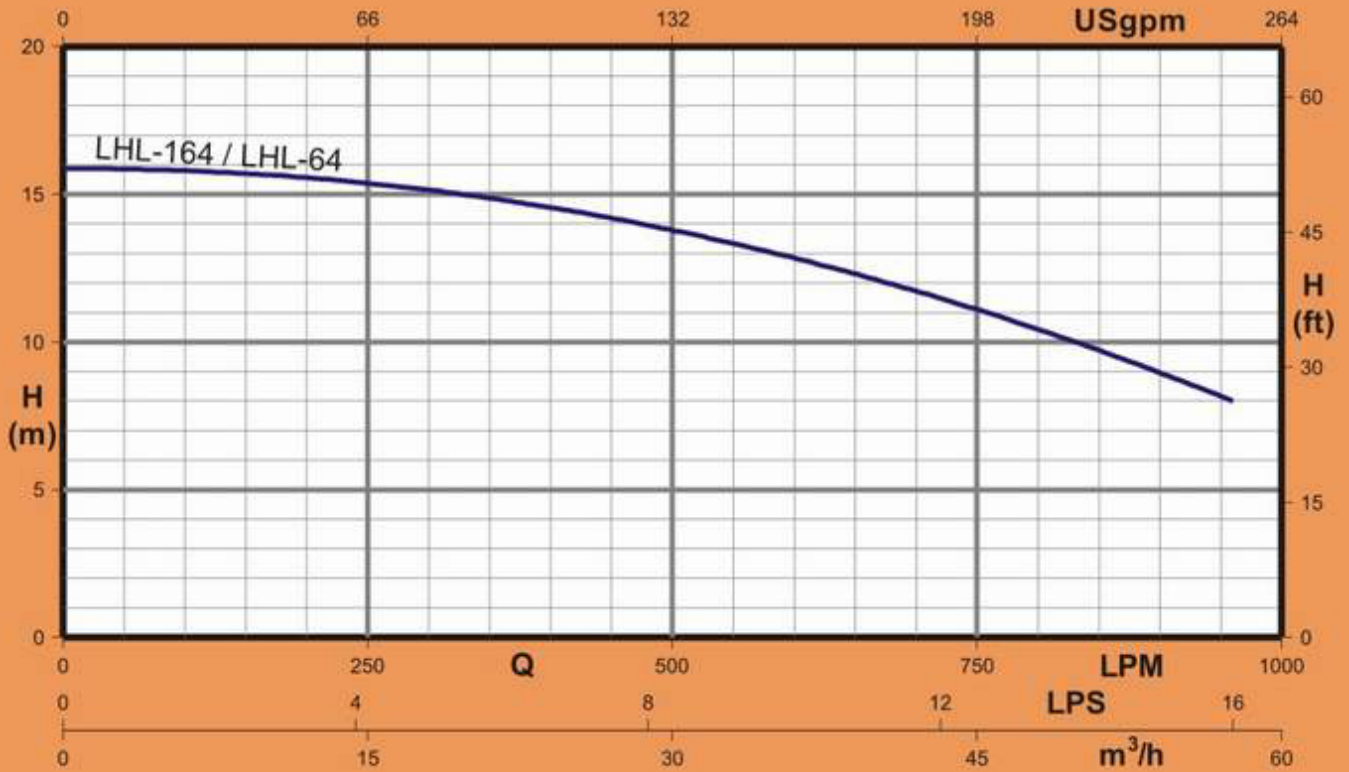
MODEL	MODEL	POWER		m ³ /h l/min	6	9	12	18	24
		kW	HP						
Single Phase	Three Phase				100	150	200	300	400
LHL-154	LHL-54	0.75	1.0	H (m)	13.5	13	12	11	8
LHL-157	LHL-57	1.10	1.5		16	15.5	15	13	10
LHL-157H	LHL-57H	1.10	1.5		20	19	18	14	-
LHL-160	LHL-60	1.50	2.0		24.5	24	23	20	15
LHL-160H	LHL-60H	1.50	2.0		32	31	29	23	-



DIMENSIONS

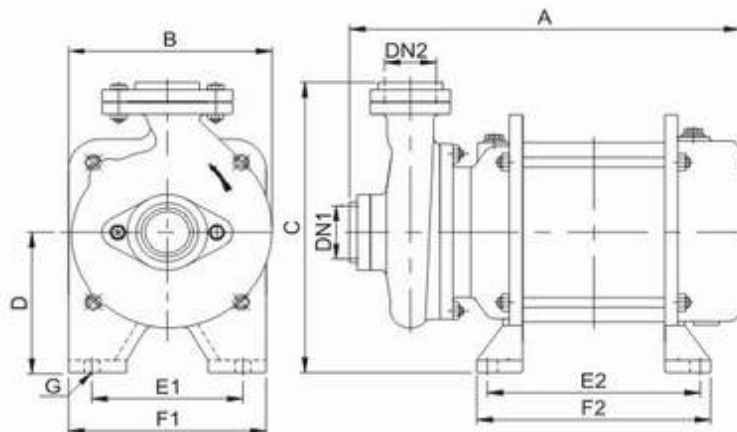
MODEL		DN1	DN2	DIMENSIONS mm									GROSS WEIGHT kg.	VOLUME m ³
Single Phase	Three Phase			A	B	C	D	E1	E2	F1	F2	G		
LHL-154	-	2"	2"	367	175	265	115	117	184	153	212	12	33.5	0.1014
-	LHL-54	2"	2"	357	175	265	115	117	186	153	202	12	31.5	0.0741
LHL-157 LHL-157H	-	2"	2"	392	175	265	115	117	221	153	237	12	39.0	0.1092
-	LHL-57 LHL-57H	2"	2"	377	175	265	115	117	206	153	222	12	36.0	0.0819
LHL-160 LHL-160H	-	2"	2"	422	197	278	115	117	251	153	267	12	43.0	0.1092
-	LHL-60 LHL-60H	2"	2"	397	197	278	115	117	226	153	242	12	38.5	0.0819

PERFORMANCE CHART AT n = 2900 RPM FOR 3" X 3" PUMPS



PERFORMANCE DATA AT n = 2900 RPM

MODEL	MODEL	POWER		m³/h	12	24	36	48	57
		kW	HP						
Single Phase	Three Phase			l/min	200	400	600	800	950
LHL-164	LHL-64	1.50	2.0	H (m)	15.5	14.5	13	10.5	8



DIMENSIONS

MODEL		DN1	DN2	DIMENSIONS mm									GROSS WEIGHT kg.	VOLUME m³
Single Phase	Three Phase			A	B	C	D	E1	E2	F1	F2	G		
LHL-164	-	3"	3"	442	210	292	115	117	251	153	267	12	47.0	0.1092
-	LHL-64	3"	3"	417	210	292	115	117	226	153	242	12	42.5	0.0819



LHL

Horizontal Submersible Pumps (3.00 HP to 7.50 HP)



Performance Range

- Flow rate up to 1500 l/min. (90 m³/h)
- Dynamic head up to 55 m.

Applications

- For clean liquids without abrasives, which are non - aggressive for the pump materials. (Solids content up to 0.2 %)
- Canals / River belt irrigation.
- For water supply.
- Fountains.
- For fire fighting applications.
- For civil and industrial applications.
- For heating, cooling, air - conditioning and circulation plants.

Special Features on Request

- Other voltages.
- Available in 60Hz.

Motor

- 2 - pole submersible motor
50Hz (n = 2900 RPM)
- Three phase :
400V +5 -15 %
- Protection IP 68

Operating Conditions

- Liquid temperature up to 35°.
- Ambient temperature up to 50°.
- Minimum submergence depth 0.5 mtr.
- Continuous duty.

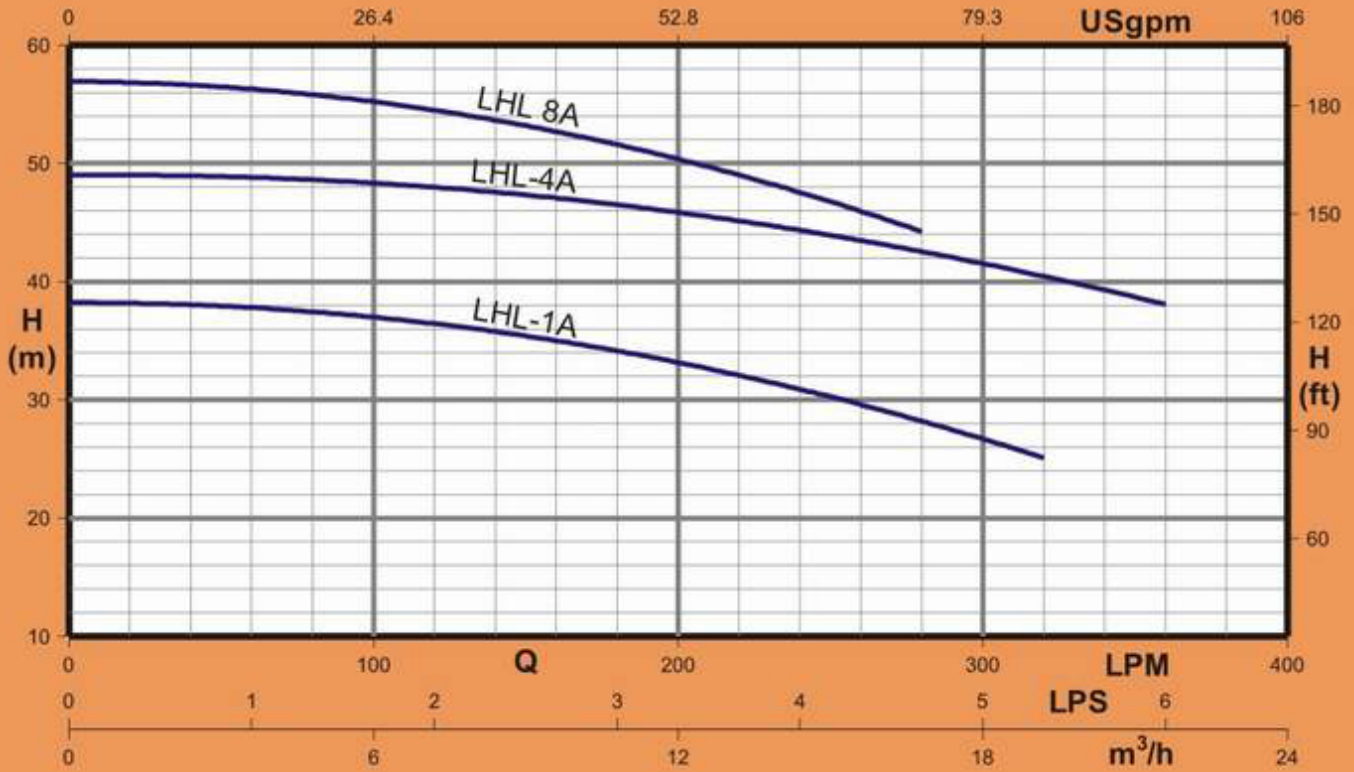
Material

COMPONENTS	MATERIAL
Pump Casing	Grey Iron
Impeller	Grey Iron / Bronze
Adaptor	Grey Iron
Lower Bearing Housing	Grey Iron
Stator Frame	Grey Iron
Shaft	Carbon Steel
Thrust Bearing	Fibre / Bronze

NOTE : For Bronze impeller please add a subscript "B" to model no.
For Ex. : LHL-1 for Grey Iron impeller, LHL-1B for Bronze impeller.

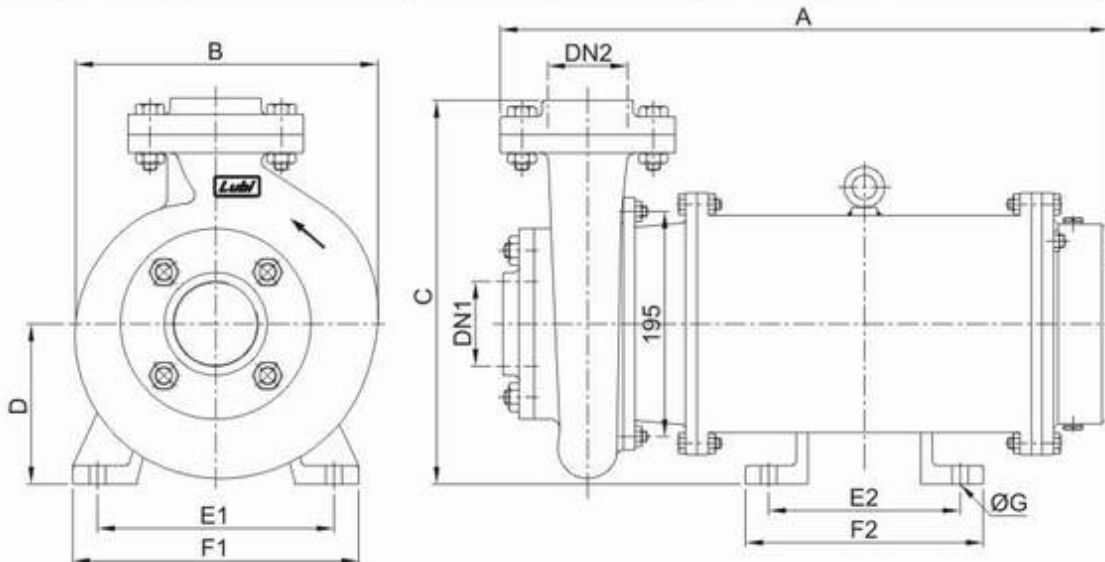
Lubi

PERFORMANCE CHART AT n = 2900 RPM FOR 2" X 1-1/2" PUMPS



PERFORMANCE DATA AT n = 2900 RPM

MODEL	POWER		m ³ /h l/min	6	9	12	15	18	21
	kW	HP		H (m)					
LHL-1A	2.20	3.0		37	35.5	33	30	27	-
LHL-4A	3.70	5.0		48	47	46	44	42	39
LHL-8A	5.50	7.5		55	53	50	47	43	-

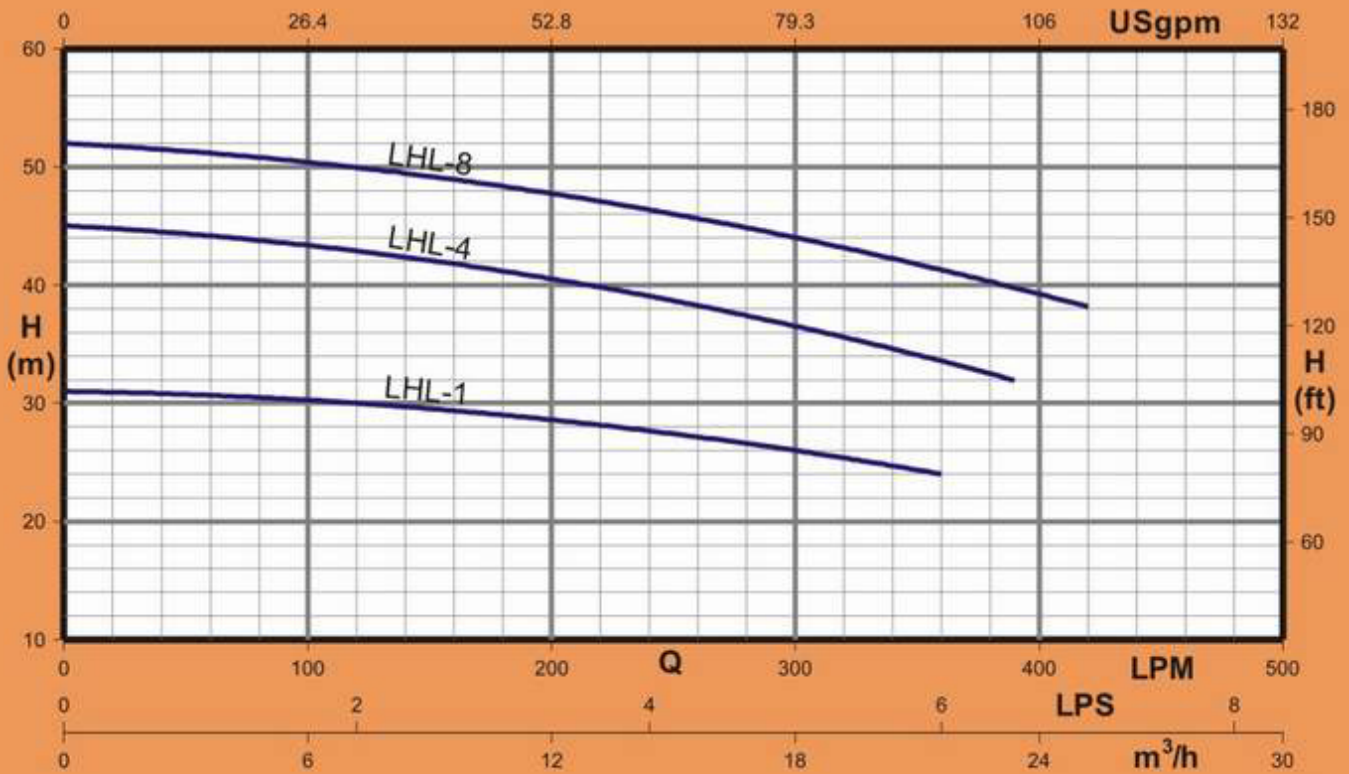


DIMENSIONS

MODEL	DN1	DN2	DIMENSIONS mm									GROSS WEIGHT kg.	VOLUME m ³
			A	B	C	D	E1	E2	F1	F2	ØG		
LHL-1A	2"	1- 1/2"	468	254	311	141	170	105	200	180	Ø14	76.0	0.1561
LHL-4A	2"	1- 1/2"	500	250	335	141	170	125	200	200	Ø14	81.5	0.1561
LHL-8A	2"	1- 1/2"	500	260	360	141	170	165	200	240	Ø14	87.0	0.1561

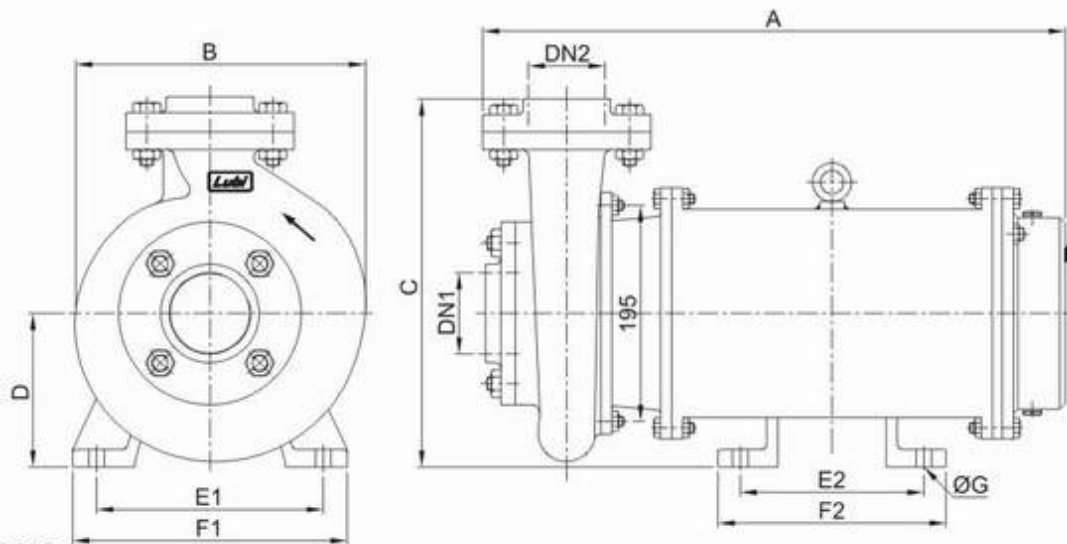


PERFORMANCE CHART AT n = 2900 RPM FOR 2" X 2" PUMPS



PERFORMANCE DATA AT n = 2900 RPM

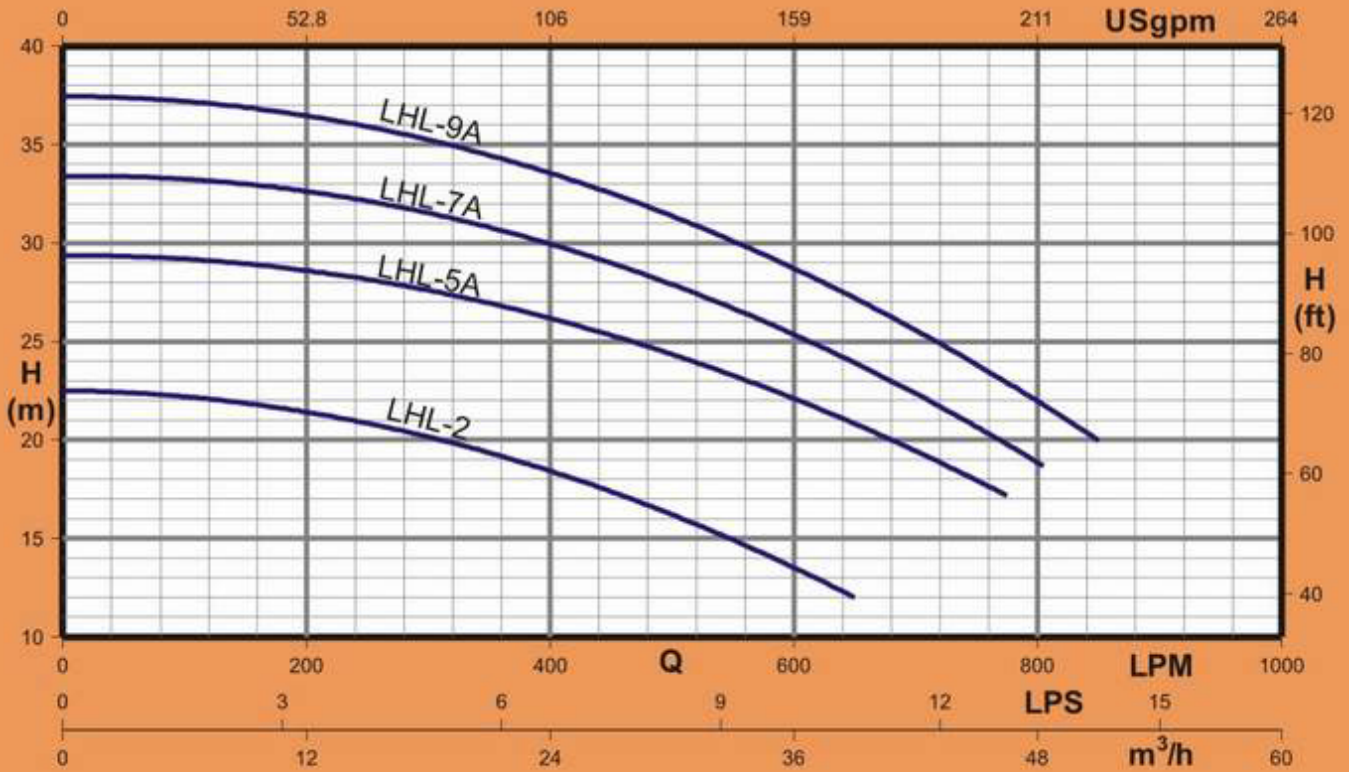
MODEL	POWER		m ³ /h l/min	6	12	18	21	24
	kW	HP		100	200	300	350	400
LHL-1	2.20	3.0	H (m)	30	29	26	24.5	22
LHL-4	3.70	5.0		43.5	40.5	36.5	34	31
LHL-8	5.50	7.5		50	48	44	42	39



DIMENSIONS

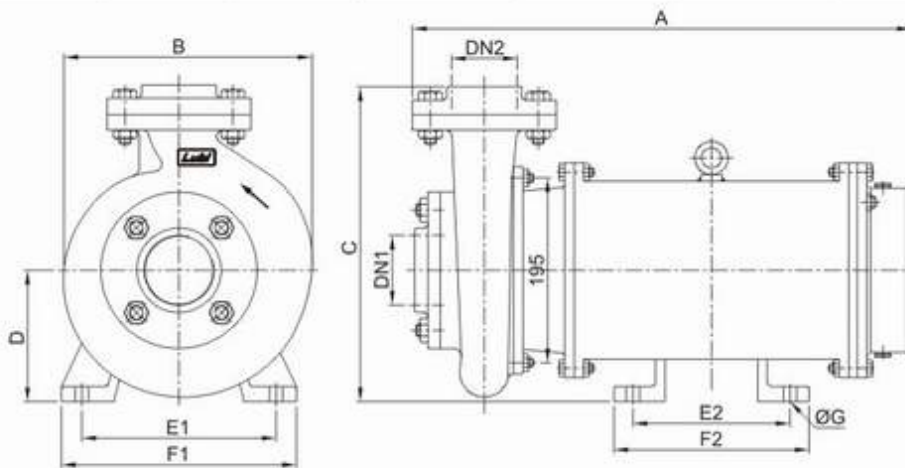
MODEL	DN1	DN2	DIMENSIONS mm									GROSS WEIGHT kg.	VOLUME m ³
			A	B	C	D	E1	E2	F1	F2	ØG		
LHL-1	2"	2"	477	218	318	141	170	105	200	180	Ø14	75.0	0.1561
LHL-4	2"	2"	500	250	335	141	170	125	200	200	Ø14	85.5	0.1561
LHL-8	2"	2"	498	281	366	141	170	165	200	240	Ø14	90.0	0.1872

PERFORMANCE CHART AT n = 2900 RPM FOR 2-1/2" X 2" PUMPS



PERFORMANCE DATA AT n = 2900 RPM

MODEL	POWER		m ³ /h	12	24	36	42	48
	kW	HP		l/min	200	400	600	700
LHL-2	2.20	3.0	H (m)	21.5	18.5	13.5	10	-
LHL-5A	3.70	5.0		28.5	26	22	19.5	16.5
LHL-7A	4.90	6.5		32.5	30	25.5	22.5	19
LHL-9A	5.50	7.5		36.5	33.5	28.5	25.5	22

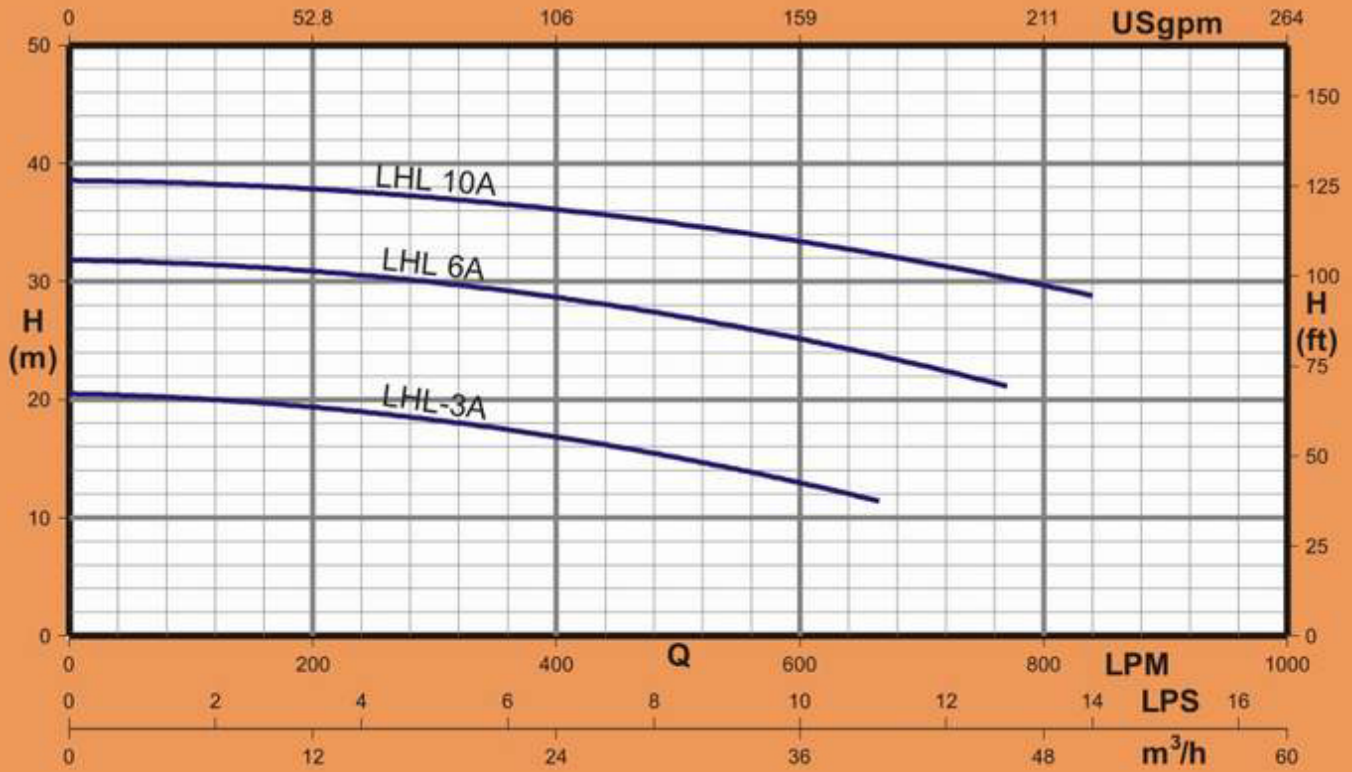


DIMENSIONS

MODEL	DN1	DN2	DIMENSIONS mm									GROSS WEIGHT kg.	VOLUME m ³
			A	B	C	D	E1	E2	F1	F2	ØG		
LHL-2	2- 1/2"	2"	484	225	322	141	170	105	200	180	Ø14	76.0	0.1561
LHL-5A	2- 1/2"	2"	497	263	335	141	170	125	200	200	Ø14	88.5	0.1561
LHL-7A	2- 1/2"	2"	527	263	335	141	170	155	200	230	Ø14	86.5	0.1872
LHL-9A	2- 1/2"	2"	592	250	356	141	170	165	200	240	Ø14	92.5	0.1872

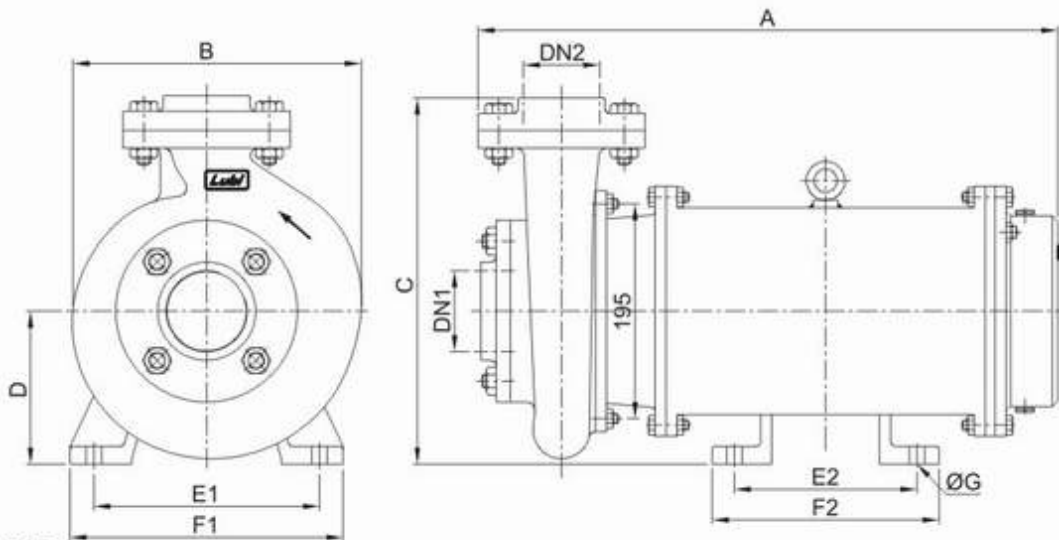


PERFORMANCE CHART AT n = 2900 RPM FOR 3" X 2-1/2" PUMPS



PERFORMANCE DATA AT n = 2900 RPM

MODEL	POWER		m ³ /h l/min	12	24	36	42	48
	kW	HP		200	400	600	700	800
LHL-3A	2.20	3.0	H (m)	19	17	13	10	-
LHL-6A	3.70	5.0		31	29	25	23	20
LHL-10A	5.50	7.5		38	36	34	32	30

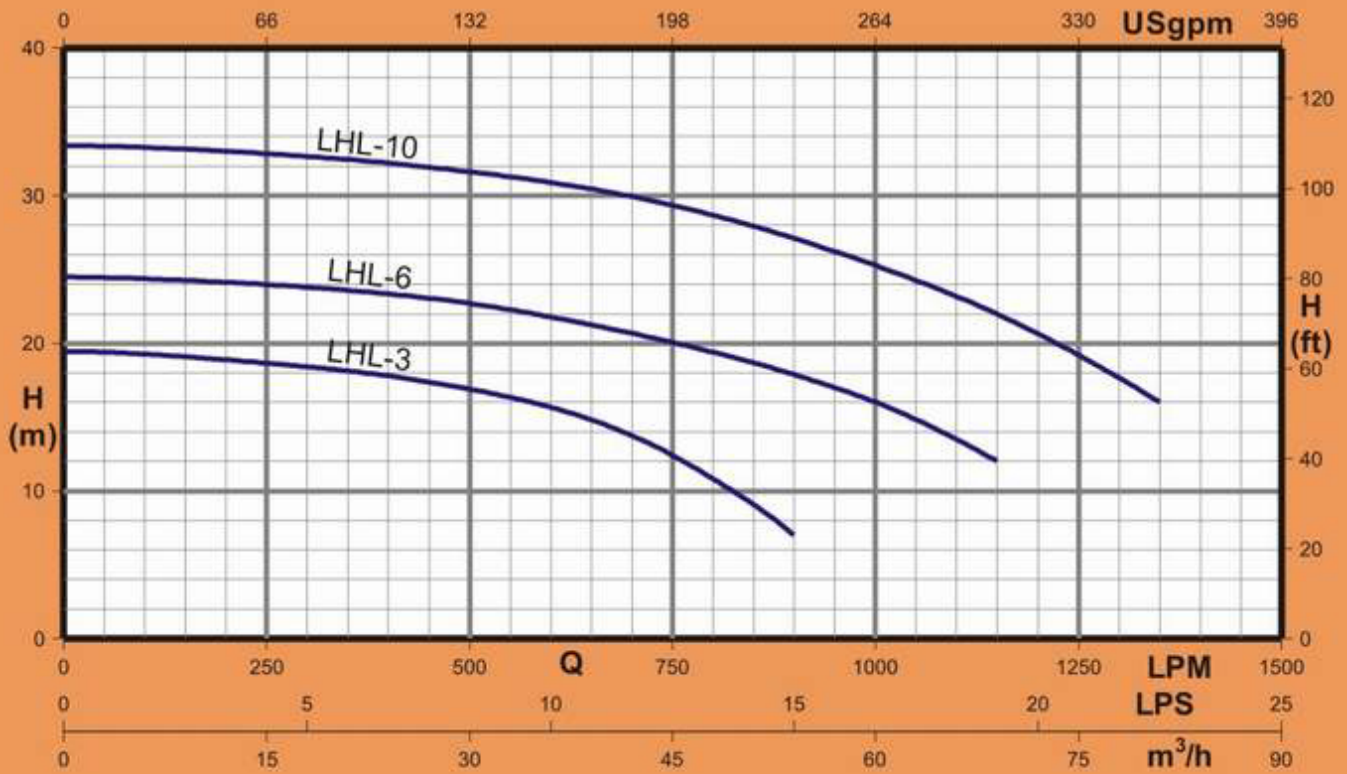


DIMENSIONS

MODEL	DN1	DN2	DIMENSIONS mm									GROSS WEIGHT kg.	VOLUME m ³
			A	B	C	D	E1	E2	F1	F2	ØG		
LHL-3A	3"	2- 1/2"	489	231	326	141	170	105	200	180	Ø14	82.0	0.1561
LHL-6A	3"	2- 1/2"	500	265	335	141	170	125	200	200	Ø14	85.0	0.1561
LHL-10A	3"	2- 1/2"	600	265	360	141	170	165	200	240	Ø14	90.0	0.1872

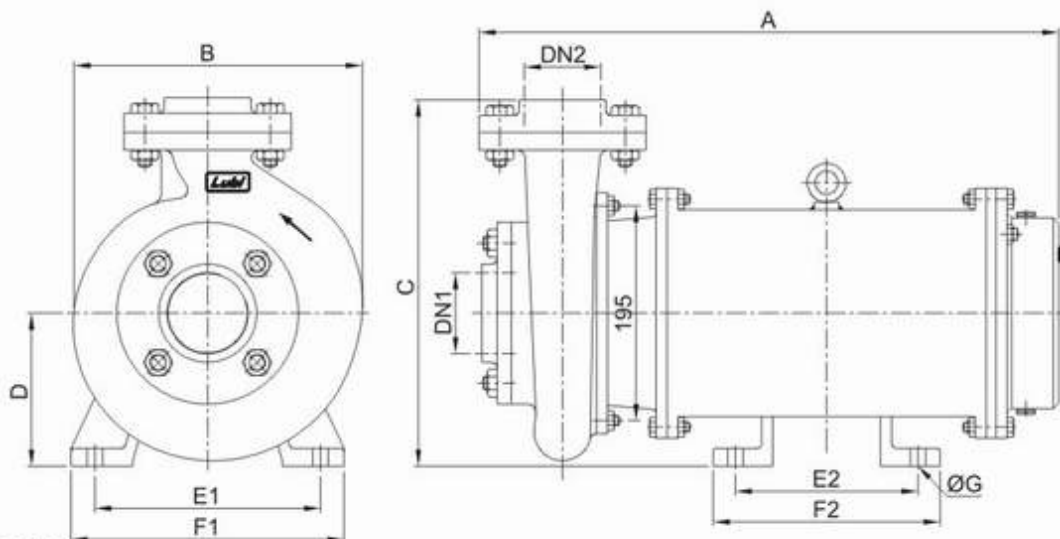


PERFORMANCE CHART AT n = 2900 RPM FOR 3" X 3" PUMPS



PERFORMANCE DATA AT n = 2900 RPM

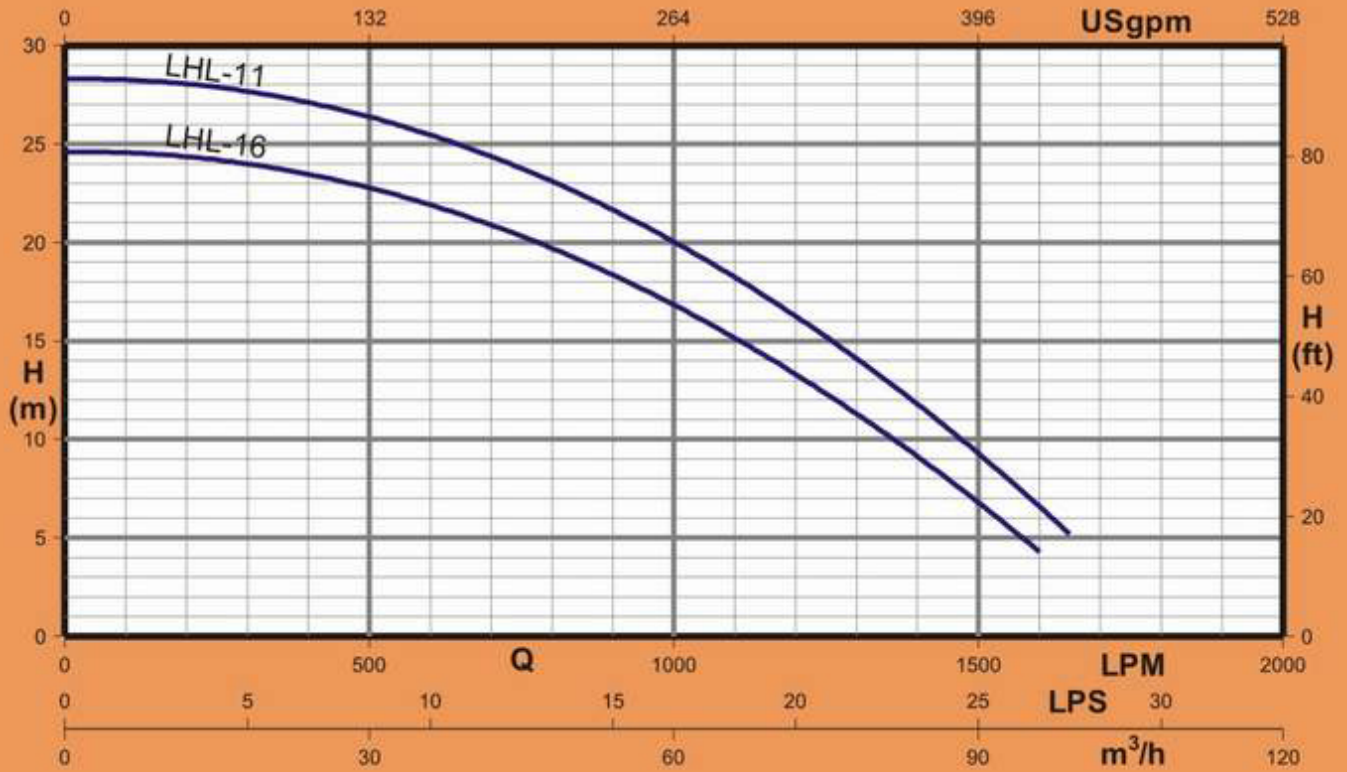
MODEL	POWER		m ³ /h	15	30	45	60	75	81
	kW	HP		l/min	250	500	750	1000	1250
LHL-3	2.20	3.0	H (m)	19	17	11.5	-	-	-
LHL-6	3.70	5.0		24	23	20	16	9	-
LHL-10	5.50	7.5		33	32	29	25	19	16



DIMENSIONS

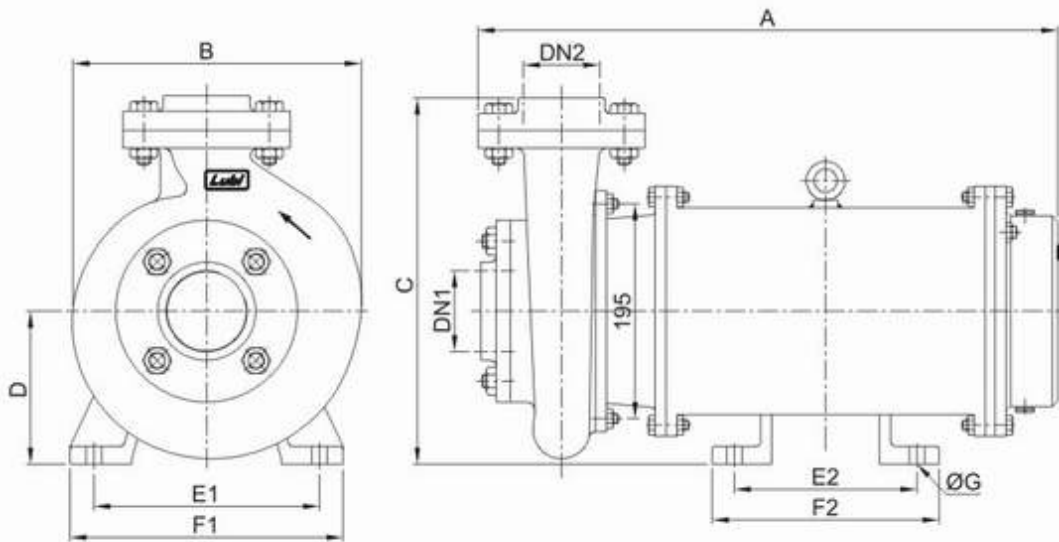
MODEL	DN1	DN2	DIMENSIONS mm									GROSS WEIGHT kg.	VOLUME m ³
			A	B	C	D	E1	E2	F1	F2	ØG		
LHL-3	3"	3"	498	232	331	141	170	105	200	180	Ø14	81.0	0.1561
LHL-6	3"	3"	518	232	331	141	170	125	200	200	Ø14	81.0	0.1561
LHL-10	3"	3"	613	257	369	141	170	165	200	240	Ø14	92.0	0.1872

PERFORMANCE CHART AT n = 2900 RPM FOR 4" X 4" PUMPS



PERFORMANCE DATA AT n = 2900 RPM

MODEL	POWER		m ³ /h l/min	30	45	60	75	90
	kW	HP		500	750	1000	1250	1500
LHL-16	3.70	5.0	H (m)	23	20	17	12.5	7
LHL-11	5.50	7.5		26.5	23.5	20	15	9



DIMENSIONS

MODEL	DN1	DN2	DIMENSIONS mm									GROSS WEIGHT kg.	VOLUME m ³
			A	B	C	D	E1	E2	F1	F2	ØG		
LHL-16	4"	4"	538	287	371	141	170	125	200	200	Ø14	81.5	0.1561
LHL-11	4"	4"	633	287	371	141	170	165	200	240	Ø14	98.5	0.1872



LHS

Horizontal Submersible Pumps (10.0 HP to 30 HP)



Performance Range

- Flow rate up to 3200 l/min. (192 m³/h)
- Dynamic head up to 76 mts.

Applications

- For clean liquids without abrasives, which are non - aggressive for the pump materials. (Solids content up to 0.2 %)
- Canals / River belt irrigation.
- For water supply.
- Fountains.
- For fire fighting applications.
- For civil and industrial applications.
- For heating, cooling, air - conditioning and circulation plants.

Special Features on Request

- Other voltages.
- Available in 60Hz.

Motor

- 2 - pole submersible motor
50Hz (n = 2900 RPM)
- Three phase :
400V +5 -15 %
- Protection IP 68

Operating Conditions

- Liquid temperature up to 35°.
- Ambient temperature up to 50°.
- Minimum submergence depth 0.5 mtr.
- Continuous duty.

Material

COMPONENTS	MATERIAL
Pump Casing	Grey Iron
Impeller	Grey Iron / Bronze
Adaptor	Grey Iron
Lower Bearing Housing	Grey Iron
Stator Frame	Grey Iron
Shaft	Carbon Steel
Diaphragm	Rubber

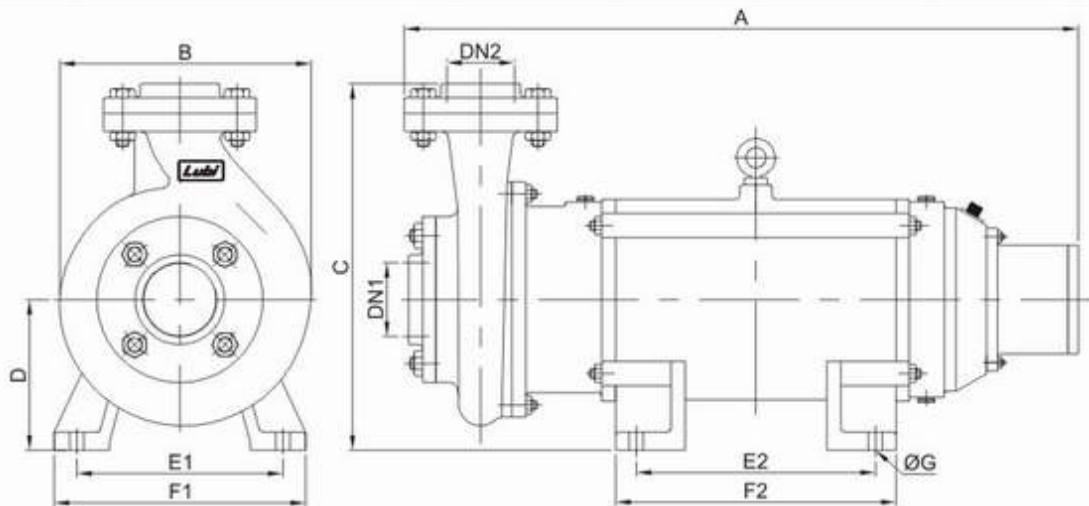
NOTE : For Bronze impeller please add a subscript "B" to model no.
For Ex. : LHS-27 for Grey Iron impeller, LHS-27B for Bronze impeller.

PERFORMANCE CHART AT n = 2900 RPM FOR 2-1/2" X 2" PUMPS



PERFORMANCE DATA AT n = 2900 RPM

MODEL	POWER		m³/h	15	30	45	54	60
	kW	HP		l/min	250	500	750	900
LHS-13AH	7.5	10.0	H (m)	45	40	30	23	17
LHS-27	11.0	15.0		60	52	40	31	24

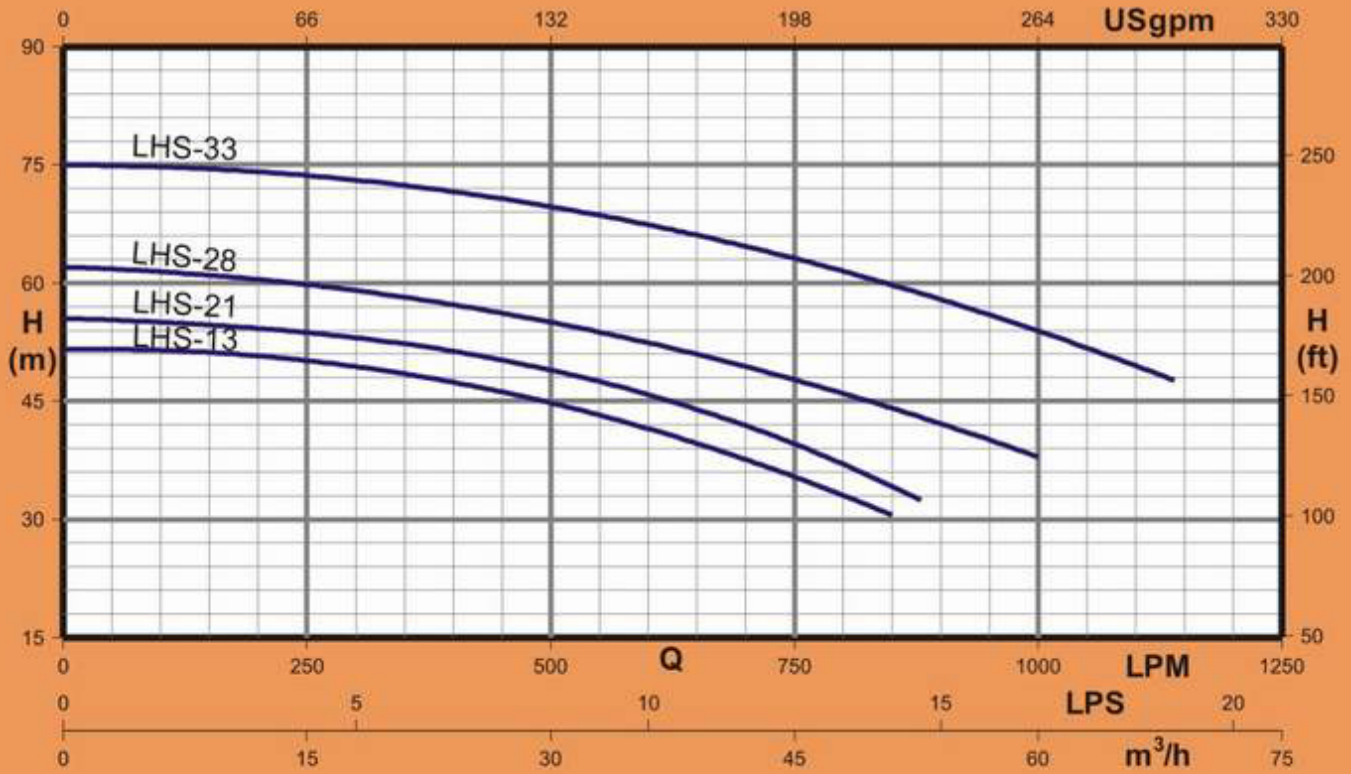


DIMENSIONS

MODEL	DN1	DN2	DIMENSIONS mm									GROSS WEIGHT kg.	VOLUME m³
			A	B	C	D	E1	E2	F1	F2	ØG		
LHS-13AH	2- 1/2"	2"	734	298	380	150	205	271	250	311	Ø17.50	150.0	0.210
LHS-27	2- 1/2"	2"	787	317	400	190	245	250	300	300	Ø17.50	190.0	0.291

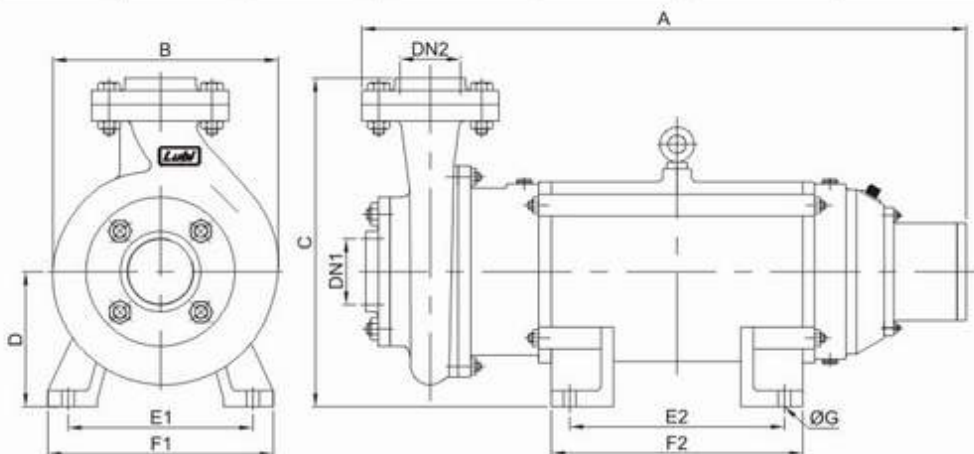


PERFORMANCE CHART AT n = 2900 RPM FOR 2-1/2" X 2-1/2" PUMPS



PERFORMANCE DATA AT n = 2900 RPM

MODEL	POWER		m ³ /h	15	30	45	54	60
	3Ø	kW						
LHS-13	7.5	10.0	H (m)	250	500	750	900	1000
LHS-21	9.3	12.5		50	45	35	28	-
LHS-28	11.0	15.0		54	49	39	32	-
LHS-33	15.0	20.0		60	55	48	42	38
				74	70	63	58	54

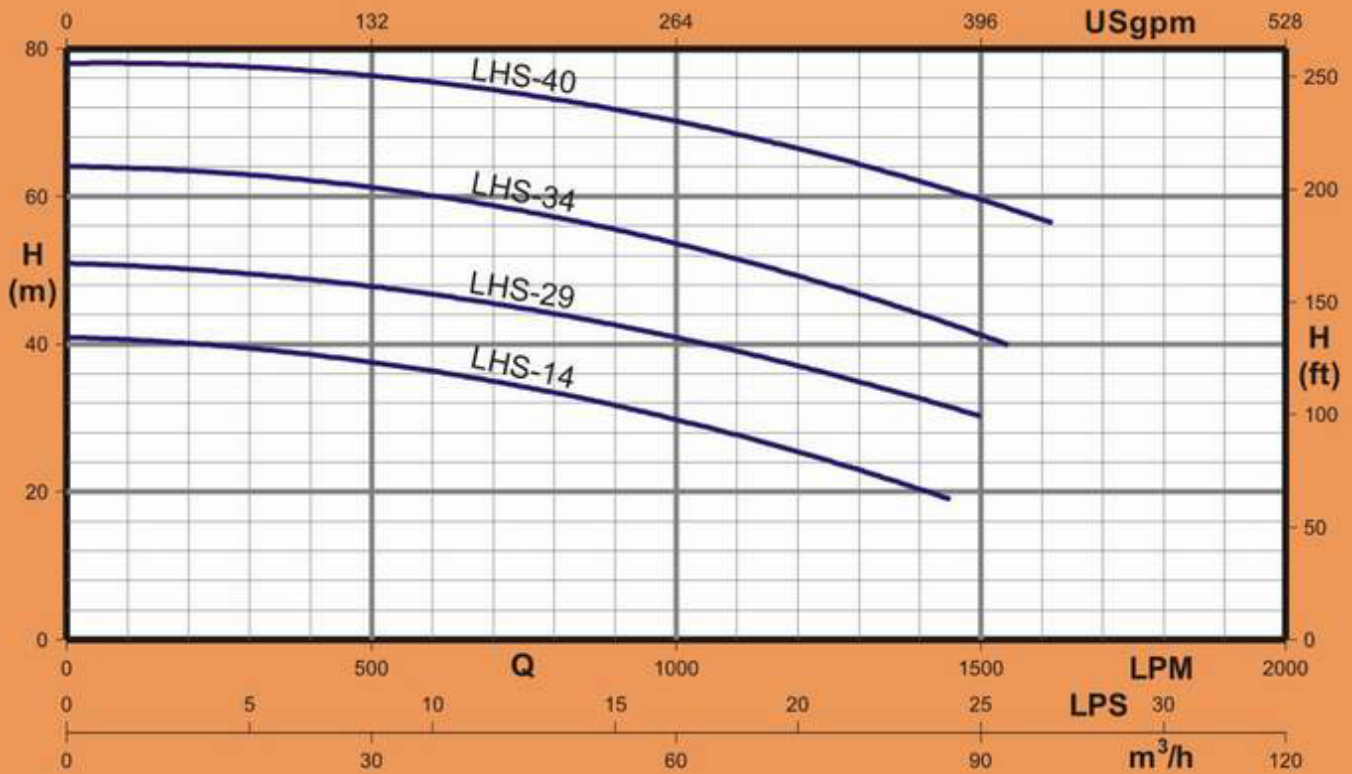


DIMENSIONS

MODEL	DN1	DN2	DIMENSIONS mm									GROSS WEIGHT kg.	VOLUME m ³
			A	B	C	D	E1	E2	F1	F2	ØG		
LHS-13	2- 1/2"	2- 1/2"	734	298	380	150	205	271	250	311	Ø17.50	158.0	0.291
LHS-21	2- 1/2"	2- 1/2"	783	298	400	150	205	320	250	365	Ø17.50	173.0	0.291
LHS-28	2- 1/2"	2- 1/2"	798	328	440	190	245	250	300	300	Ø17.50	196.0	0.291
LHS-33	2- 1/2"	2- 1/2"	797	328	440	190	245	250	300	300	Ø17.50	218.0	0.291

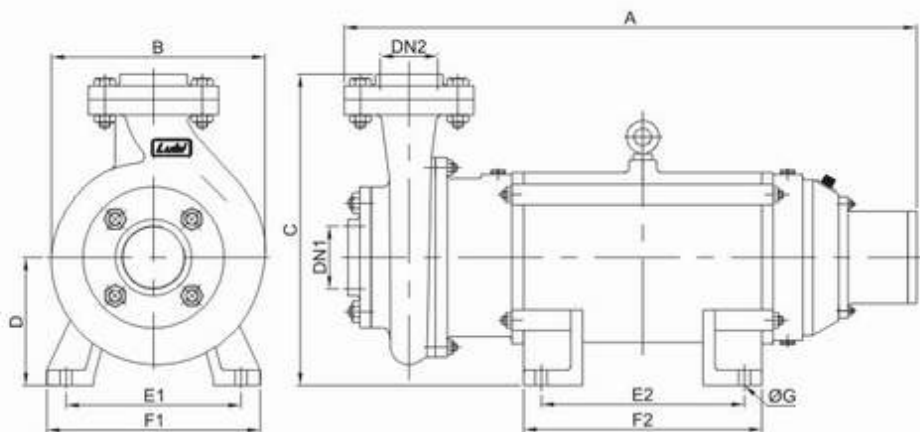


PERFORMANCE CHART AT n = 2900 RPM FOR 3" X 3" PUMPS



PERFORMANCE DATA AT n = 2900 RPM

MODEL	POWER		m ³ /h	30	45	60	75	90	96
	kW	HP		500	750	1000	1250	1500	1600
			H (m)						
LHS-14	7.5	10.0		38	34	30	24	18	-
LHS-29	11.0	15.0		48	45	41	36	30	28
LHS-34	15.0	20.0		61	58	54	48	41	39
LHS-40	22.0	30.0		76	74	70	65	60	57

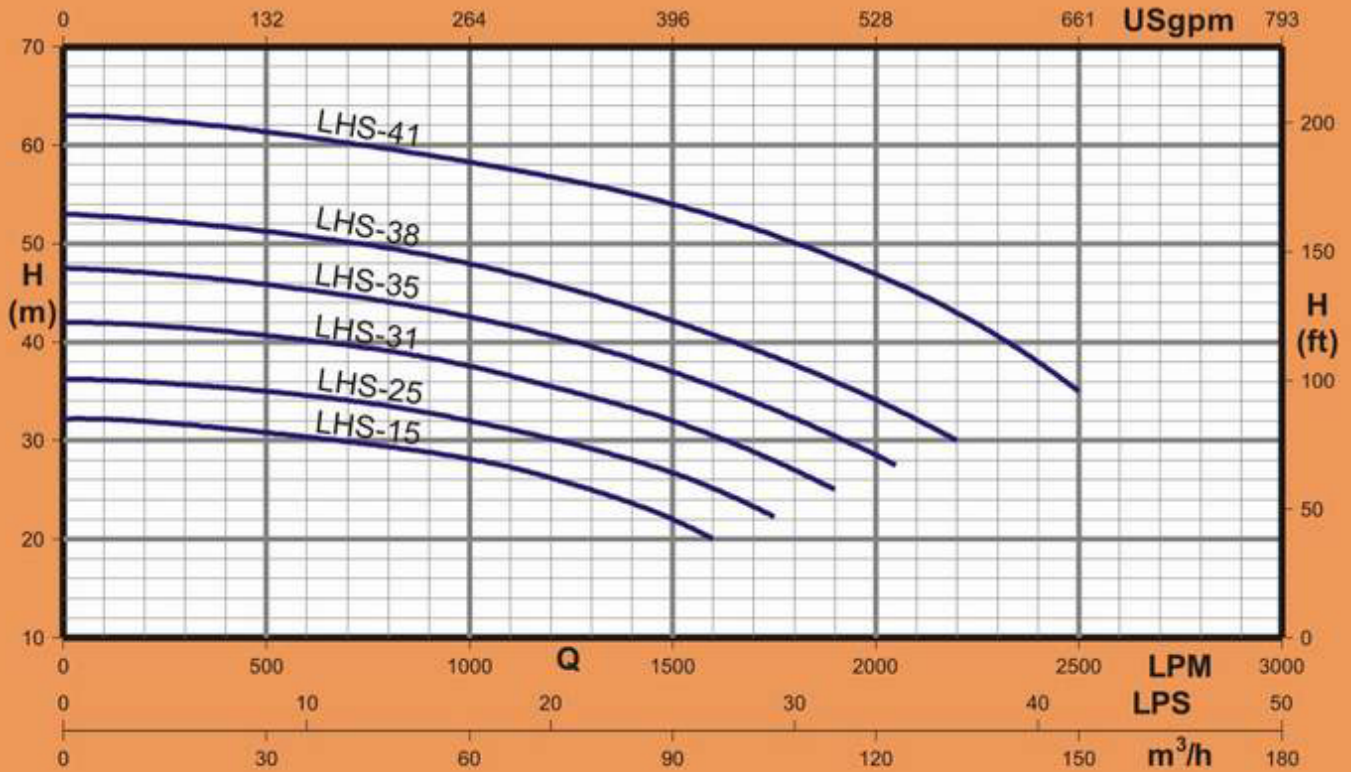


DIMENSIONS

MODEL	DN1	DN2	DIMENSIONS mm									GROSS WEIGHT kg.	VOLUME m ³
			A	B	C	D	E1	E2	F1	F2	ØG		
LHS-14	3"	3"	743	257	379	150	205	271	250	311	Ø17.50	129.0	0.210
LHS-29	3"	3"	808	343	419	190	245	250	300	300	Ø17.50	200.0	0.291
LHS-34	3"	3"	808	343	441	190	245	250	300	300	Ø17.50	222.0	0.291
LHS-40	3"	3"	807	343	451	190	245	250	300	300	Ø17.50	223.0	0.291

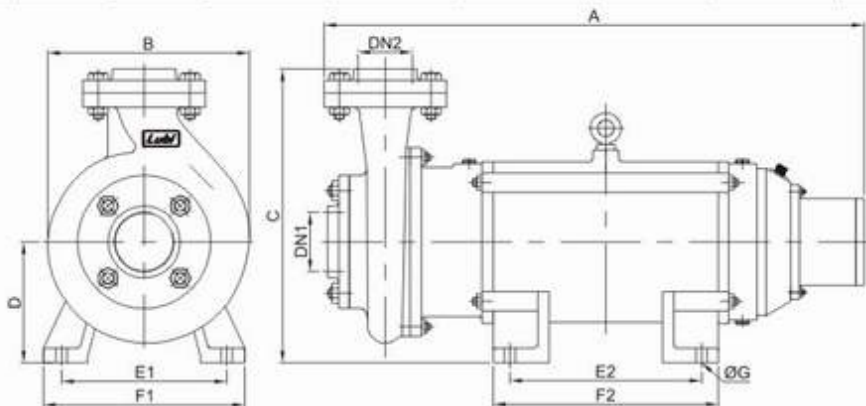
Lubi

PERFORMANCE CHART AT n = 2900 RPM FOR 4" X 4" PUMPS



PERFORMANCE DATA AT n = 2900 RPM

MODEL	POWER		m ³ /h	60	90	105	120	135	150
	3Ø	HP							
	kW	HP	l/min	1000	1500	1750	2000	2250	2500
LHS-15	7.5	10.0	H (m)	28	22	16	-	-	-
LHS-25	9.3	12.5		32	27	22	-	-	-
LHS-31	11.0	15.0		38	32	28	24	-	-
LHS-35	15.0	20.0		42.5	37	33	28.5	24	-
LHS-38	18.5	25.0		48	42	38	34	29	-
LHS-41	22.0	30.0		58	54	50	47	42	35



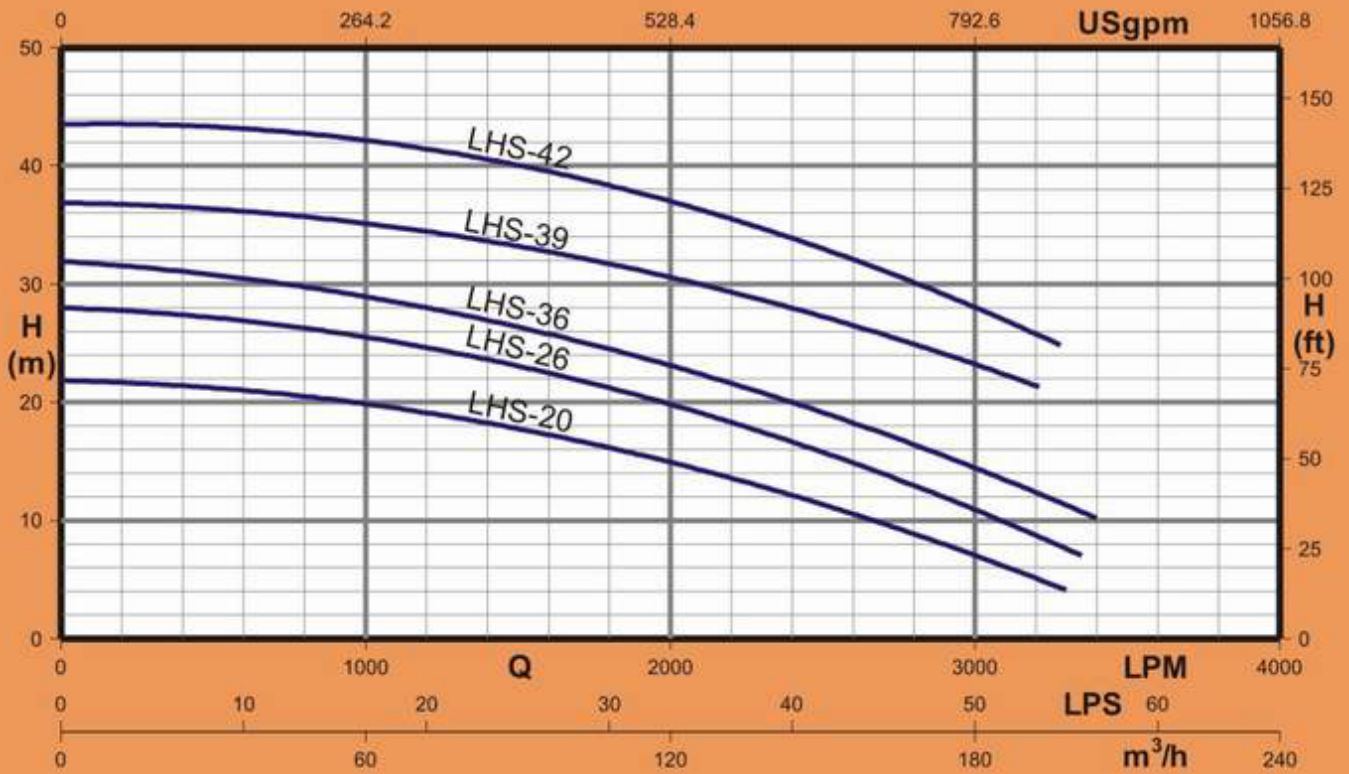
DIMENSIONS

MODEL	DN1	DN2	DIMENSIONS mm									GROSS WEIGHT kg.	VOLUME m ³
			A	B	C	D	E1	E2	F1	F2	ØG		
LHS-15	4"	4"	763	287	383	150	205	271	250	311	Ø17.50	142.0	0.210
LHS-25	4"	4"	813	287	383	150	205	320	250	365	Ø17.50	168.0	0.291
LHS-31	4"	4"	833	330	446	190	245	250	300	300	Ø17.50	209.0	0.291
LHS-35	4"	4"	833	330	446	190	245	250	300	300	Ø17.50	236.0	0.291
LHS-38	4"	4"	833	330	446	190	245	250	300	300	Ø17.50	234.0	0.291
LHS-41	4"	4"	833	330	441	190	245	250	300	300	Ø17.50	231.0	0.291

Lubi

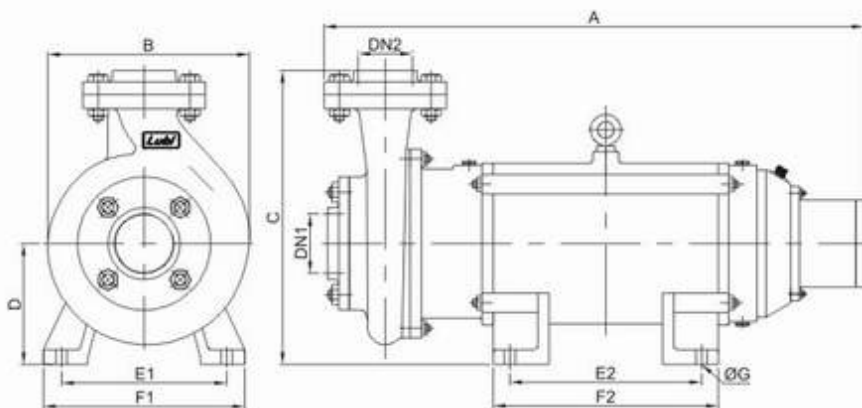
Tel : +91 79 2220 4711 upto 18, Fax : + 91 79 2220 0660, E-mail : expsales@lubipumps.com, Web : www.lubipumps.com

PERFORMANCE CHART AT n = 2900 RPM FOR 5" X 5" PUMPS



PERFORMANCE DATA AT n = 2900 RPM

MODEL	POWER		m ³ /h	60	90	120	150	180	192
	kW	HP							
	3Ø		l/min	1000	1500	2000	2500	3000	3200
LHS-20	7.5	10.0	H (m)	20	18	15	11.5	7	5
LHS-26	9.3	12.5		26	23	20	16	11	9
LHS-36	15.0	20.0		29	26.5	23	19	14.5	12
LHS-39	18.5	25.0		35	33	30.5	27	23	21
LHS-42	22.0	30.0		42	40	37	33	28	26



DIMENSIONS

MODEL	DN1	DN2	DIMENSIONS mm								GROSS WEIGHT kg.	VOLUME m ³	
			A	B	C	D	E1	E2	F1	F2			ØG
LHS-20	5"	5"	794	338	393	150	205	271	250	311	Ø17.50	173.0	0.210
LHS-26	5"	5"	844	338	412	150	205	320	250	365	Ø17.50	177.0	0.291
LHS-36	5"	5"	855	338	492	190	245	250	300	300	Ø17.50	222.0	0.291
LHS-39	5"	5"	855	338	492	190	245	250	300	300	Ø17.50	220.0	0.291
LHS-42	5"	5"	855	338	492	190	245	250	300	300	Ø17.50	232.0	0.291

