

# MOP 100

H 9m

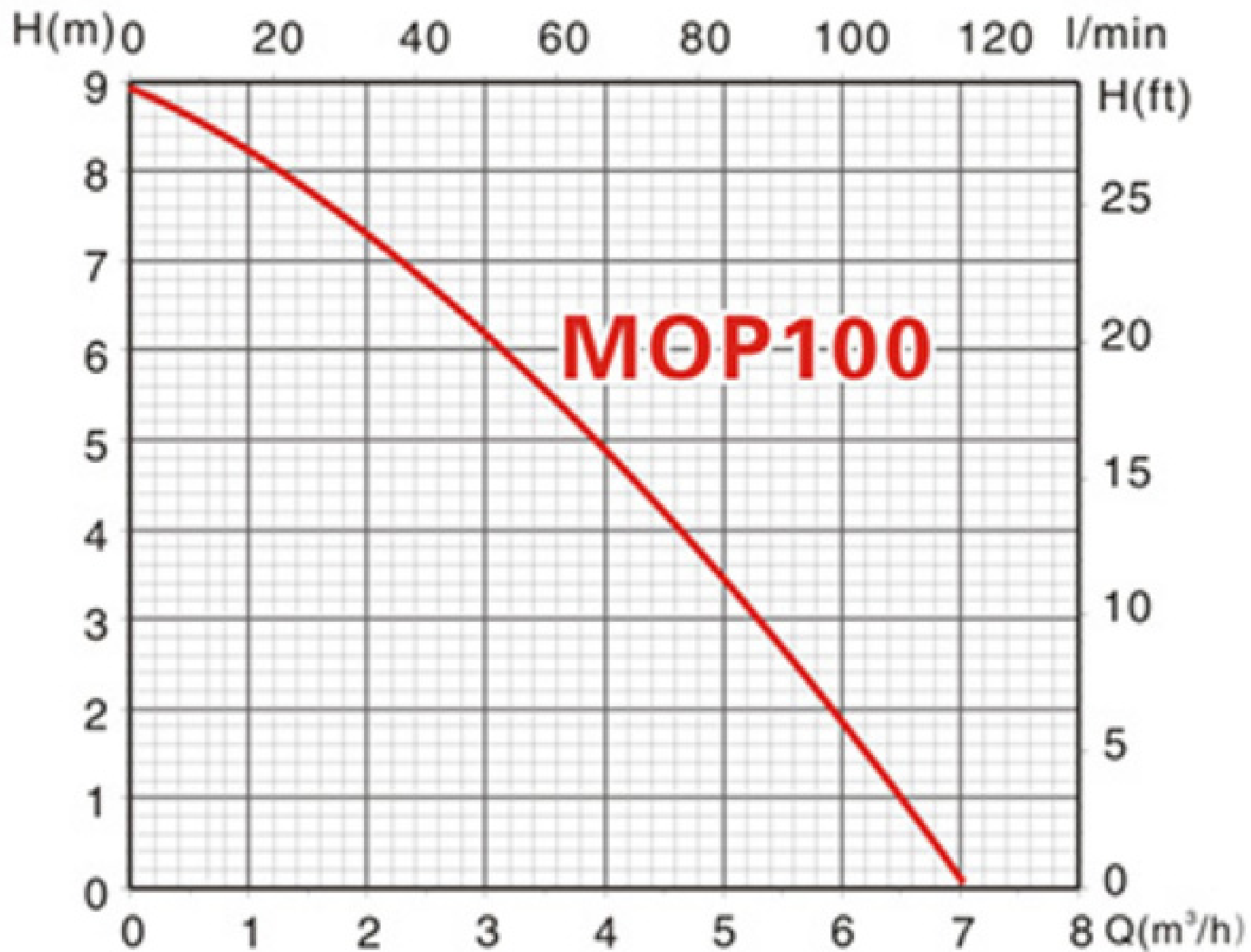
Q 7m<sup>3</sup>/h

**NEW**

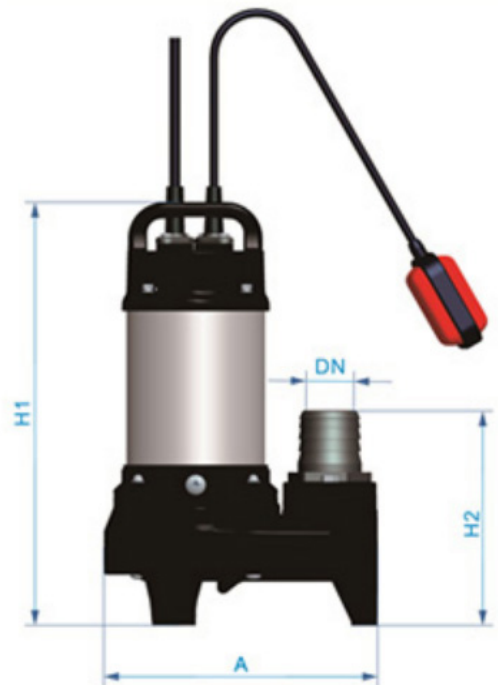


## MOP100 submersible pump

Adopt imported single-face mechanical seal, imported overheat protection device is equipped inside the motor, which provides automatic protection. At the same time, fully water cooling configuration, operating under low current, which can make the pump run for a long time. It is not only suitable for common clean water supply and drainage such as in the field of gardening, water pool circulation, but also for drainage of accumulated water in a small area.



Model (50HZ)	Power		Voltage V	P/RPM P/rmp	Max Flow m <sup>3</sup> /h	Max Head m	Outlet mm	Max Particle mm
	w	HP						
<b>MOP100</b>	100	1/8	220	2P/2850	7	9	11/18.5	3.4
<b>MOP250</b>	250	1/3	220	2P/2850	9.5	11	11/18.5	3.4

**MST150A****MST400A**

## MST MDT 100,150,250,400 Sewage Submersible Pump

### Characters:

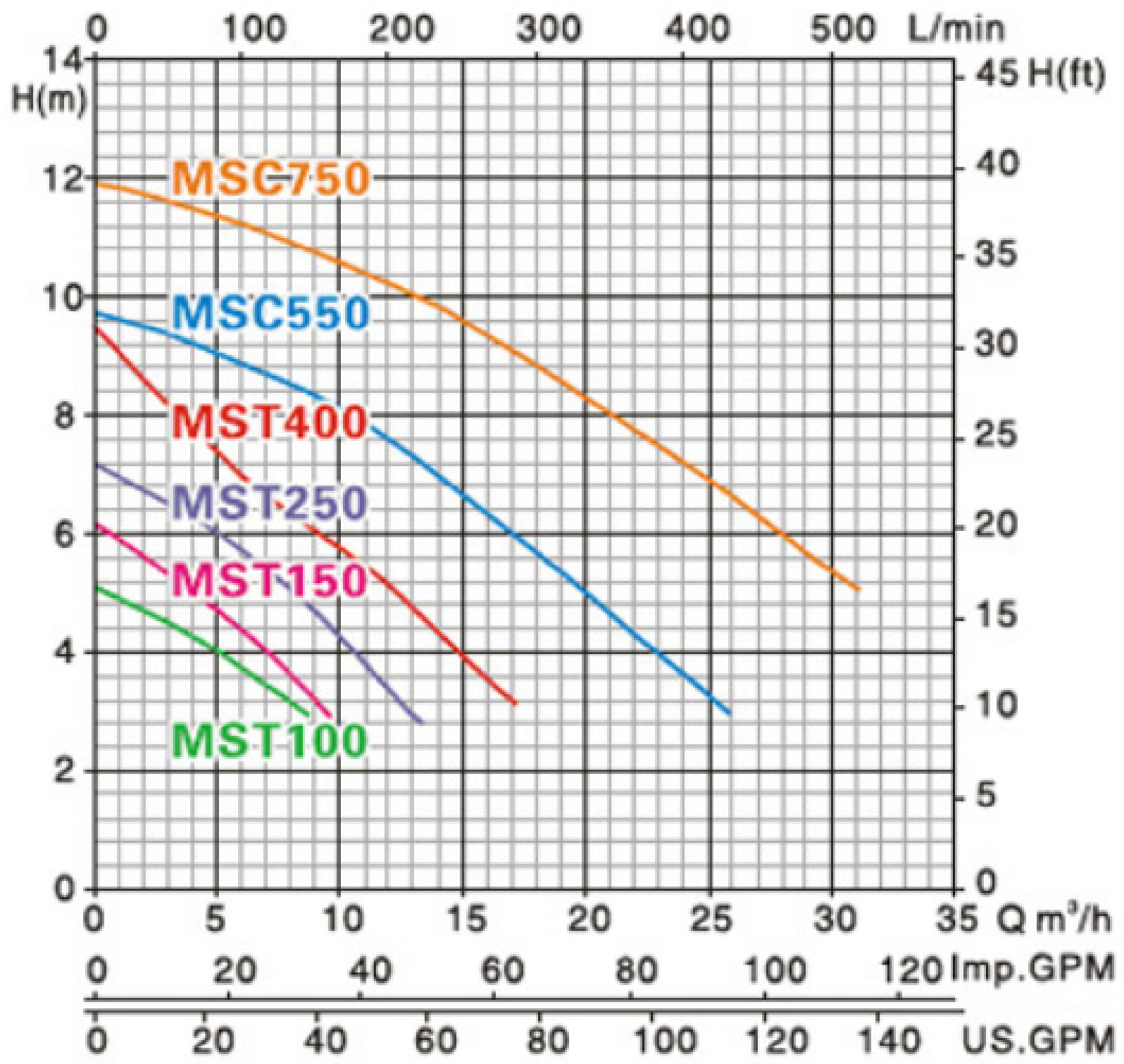
Italian dual mechanical seal. With imported thermal protection device, 316L SS shaft. AISI304 PUMP BODY. Non-metal parts are made of PPS material. Small power, big capacity, energy saving. Suitable for water circulation in the fish pond of restaurant, villa and factory, also can be used for mariculture.

Model	H1 ( mm )	H2 ( mm )	A ( mm )	DN ( mm )
MST150	349	177	225	40/50
MST250	361	177	225	40/50
MST400	400	183	250	40/50

**MST 150B****MST 150C**

Model (50HZ)	Power		Voltage	P/rpm	Max Flow	Max Head	Outlet	Max Particle
	w	HP	V	r/min	m <sup>3</sup> /h	m	mm	mm
MST100	100	1/8	220/240	2P/2850	17	5	40/50	35
MST150	150	1/5	220/240	2P/2850	15	5.5	40/50	35
MST250	250	1/3	220/240	2P/2850	18	6.5	40/50	35
MST400	400	1/2	220/240	2P/2850	22	9.2	40/50	25
MSC550	550	0.75	220/240/380	2P/2850	32	10	40/50	25
MSC750	750	1	220/240/380	2P/2850	39	12	40/50	25

Items marked with \* are equipped with cast iron base.



## MDL550



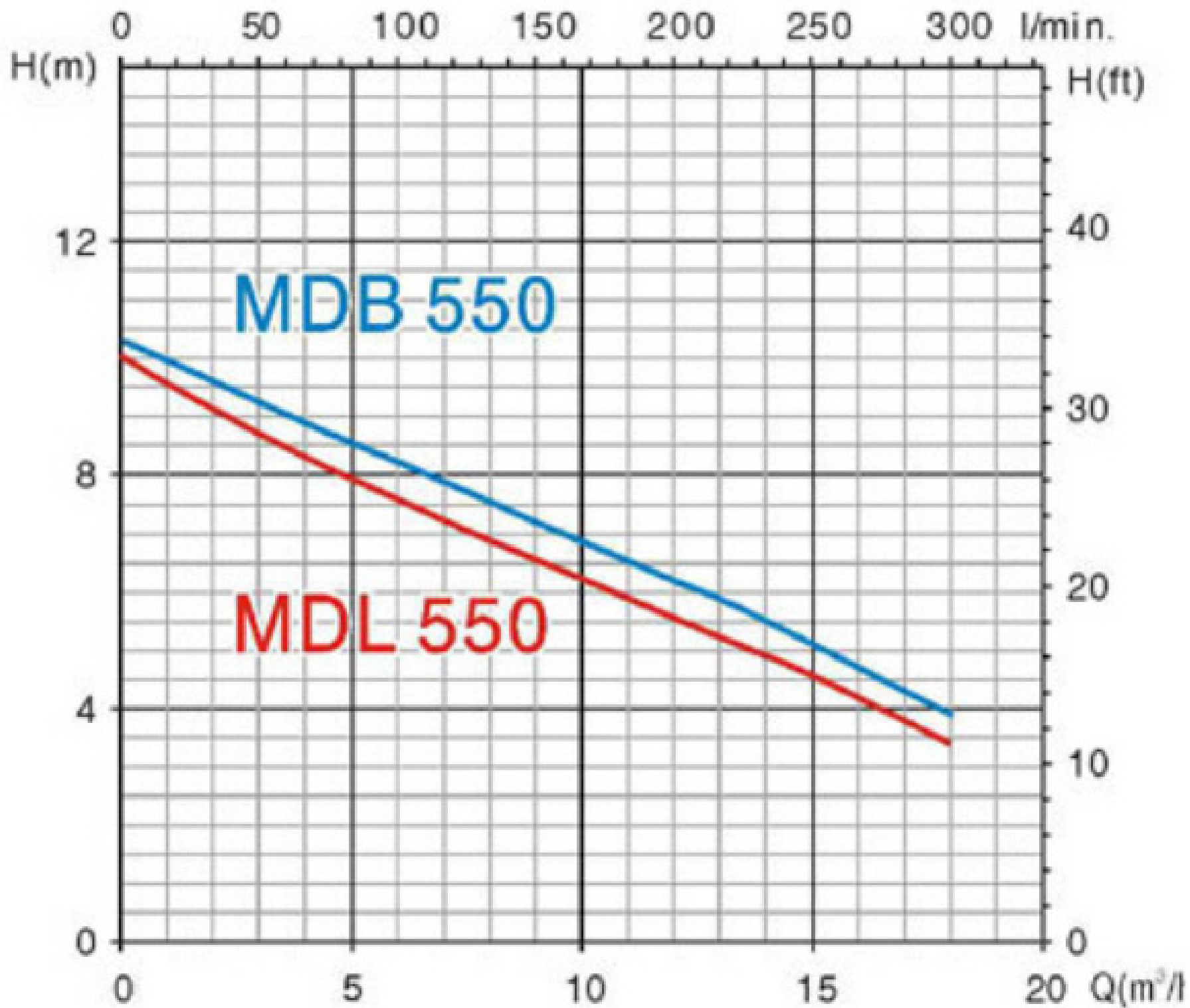
## MDB550

### MDL,MDB 550 All Stainless Steel Pump

#### Characters:

With Italian dual mechanical seal and thermal protection device and 316 SS shaft. Stainless steel 304 pump shell. For mariculture, industrial, and domestic sewage use.

Model	Hight ( mm )	Width ( mm )	Outlet ( mm )
MDL550	412	193	40





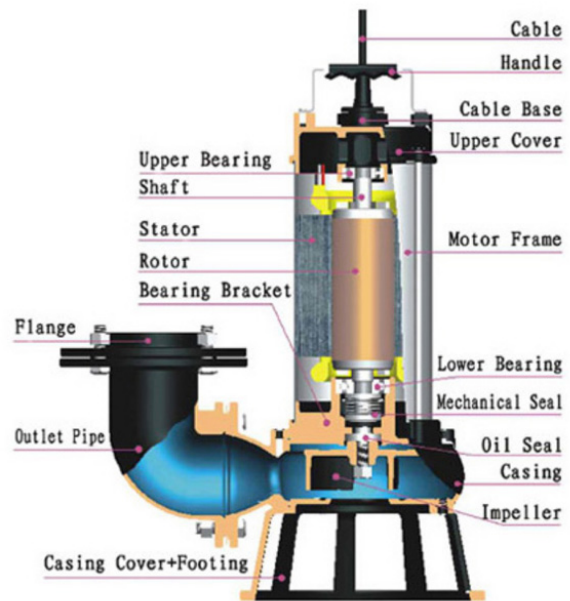


**Property:**

- Non-clog impeller and diffuser, good performance for muddy waste water.
- Italian double face mechanical seal, AC over-heat protector inside. Special anti-mist design for the plug, good water proof.
- AISI304 motor shell, shaft and nuts.
- Good appearance, small and light, easy to use and maintain.

**Usage:**

For building basement, farming field, food factory and industrial waste water drainage. For dirty and waste water drainage in sewage plants.



**P:** Three-channel unshrouded non clog impeller, high discharge capacity, suitable for muddy sewage with big solid.



**A:** Open impeller, with extra hard tungsten steel blade to cut foreign material, prevent the pump getting clogged.



**E:** Unshrouded impeller, non clog, double channel design for good balance and smooth running. For high head with big flow.



**B:** Suitable for sewage with solid and fibrous matter, to prevent the pump getting entwined. Good performance in flow and head.



Model	H1 ( mm )	H2 ( mm )	A ( mm )	DN ( mm )
MAF207	440	221	264	40/50
MAF211	455	221	264	40/50
MAF315	533	275	403.1	75
MAF322	533	275	403.1	75
MAF437	678	342	580	100
MAF455	693	342	580	100
MAF475	708	342	580	100

