

HC-40s



HC-80s

No. 1 Japanese rotary vane blower Four million units shipment

- ⌚ Achieved high efficiency of air flow with low motor capacity. 14 models are available in the HC-s Type.
“want more air without changing size or motor power of the product”, to meet that voice, we developed this energy-saving product.
- ⌚ HC-s series are the best for aeration of on-site wastewater treatment and spray device of a combustion unit.

Feature

- ⌚ Comparing operation sound of roots blowers, generally smaller HC-s models do not need a machine room. Larger HC-s models do not need sound insulation on a machine room because of quiet operation
- ⌚ Unique oiling system that features less consumption and no clogging or leakage
- ⌚ Achieved low price and low installation cost, furthermore, the energy-saving design can also save running cost.
- ⌚ Has great durability. Air pressure and flow rate will not change in a long time operation.
- ⌚ Motor and blower can be separated. Therefore it is flexible for modification to meet the requirements.
- ⌚ Easy maintenance

Application

- ⌚ Aeration for on-site wastewater treatment
- ⌚ Spraying for fuel oil and kerosene oil burners
- ⌚ Aeration for fish farm
- ⌚ Agitation in plating tanks or water tanks
- ⌚ Air curtain

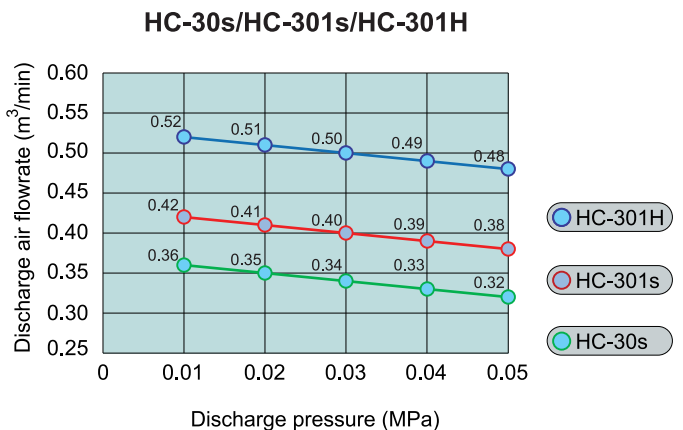
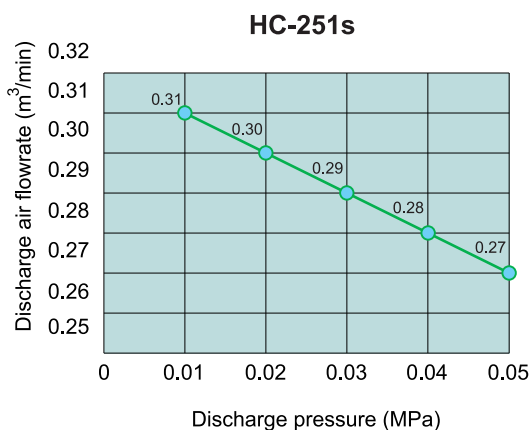


Rotary Vane Blower - HC Type

Specifications

Model No.	Dia. of Discharge	Output of motor (Kw)	Frequency (Hz)	Blower RPM	Air flowrate (m ³ /min)					V pulley		V Belt	Quantity of oil (effective quantity)	Approx. Weight (Kg)	
					0.01	0.02	0.03	0.04	0.05	Blower	Motor			net	gross
					MPa	MPa	MPa	MPa	MPa						
HC-251s	¾"	0.4	50	450	0.31	0.30	0.29	0.28	0.27	8"A1	2½"A1	A-40	1.5 (1.1)	44	51
	(20A)		60	450	0.31	0.30	0.29	0.28	0.27	8"A1	2"A1	A-40			
HC-30s	1"	0.4	50	460	0.36	0.35	0.34	0.33	0.32	10"A1	3¼"A1	A-44	1.5 (1.1)	50	57
	(25A)		60	460	0.36	0.35	0.34	0.33	0.32	10"A1	2¾"A1	A-44			
HC-301s	1"	0.75	50	520	0.42	0.41	0.40	0.39	0.38	10"A1	3½"A1	A-45	1.5 (1.1)	50	57
	(25A)		60	520	0.42	0.41	0.40	0.39	0.38	10"A1	3"A1	A-44			
HC-301H	1"	0.75	50	650	0.52	0.51	0.50	0.49	0.48	8"A1	85A1	A-45	1.5 (1.1)	50	57
	(25A)		60	650	0.52	0.51	0.50	0.49	0.48	8"A1	3"A1	A-44			
HC-40s	1¼"	0.75	50	500	0.66	0.65	0.63	0.61	0.59	12"A2	4"A2	A-52	2.5 (1.7)	80	88
	(32A)		60	500	0.66	0.65	0.63	0.61	0.59	12"A2	3½"A2	A-52			
HC-401s	1¼"	1.5	50	580	0.80	0.77	0.74	0.71	0.67	12"A2	4½"A2	A-52	2.5 (1.7)	85	93
	(32A)		60	580	0.80	0.77	0.74	0.71	0.67	12"A2	4"A2	A-52			
HC-50s	1½"	1.5	50	430	1.14	1.12	1.09	1.06	1.02	14"A2	4"A2	A-64	3.5 (2.7)	120	130
	(40A)		60	430	1.14	1.12	1.09	1.06	1.02	14"A2	3½"A2	A-64			
HC-501s	1½"	2.2	50	500	1.44	1.42	1.39	1.36	1.32	14"A2	4½"A2	A-64	3.5 (2.3)	125	135
	(40A)		60	500	1.44	1.42	1.39	1.36	1.32	14"A2	4"A2	A-64			
HC-60s	2"	2.2	50	450	1.90	1.87	1.82	1.77	1.71	16"B2	5"B2	B-74	5.5 (3.8)	190	223
	(50A)		60	450	1.90	1.87	1.82	1.77	1.71	16"B2	4" B2	B-72			
HC-601s	2"	4	50	540	2.41	2.34	2.29	2.24	2.18	16"B2	6"B2	B-74	5.5 (3.8)	200	233
	(50A)		60	540	2.41	2.34	2.29	2.24	2.18	16"B2	5"B2	B-72			
HC-80s	2½"	4	50	430	2.82	2.74	2.66	2.59	2.5	18"B2	5"B2	B-84	8 (6)	250	268
	(65A)		60	430	2.82	2.74	2.66	2.59	2.5	18"B2	4"B2	B-84			
HC-801s	2½"	5.5	50	500	3.53	3.45	3.38	3.33	3.25	18"B2	6"B2	B-84	8 (6)	275	293
	(65A)		60	500	3.53	3.45	3.38	3.33	3.25	18"B2	5"B2	B-84			
HC-100s	3"	5.5	50	390	4.32	4.28	4.25	4.18	4.11	20"B3	5½"B3	B-93	20 (16)	375	395
	(80A)		60	390	4.32	4.28	4.25	4.18	4.11	20"B3	4½"B3	B-93			
HC-1001s	3"	7.5	50	420	5.41	5.32	5.25	5.18	5.11	20"B3	6"B3	B-93	20 (16)	390	410
	(80A)		60	420	5.41	5.32	5.25	5.18	5.11	20"B3	5"B3	B-93			

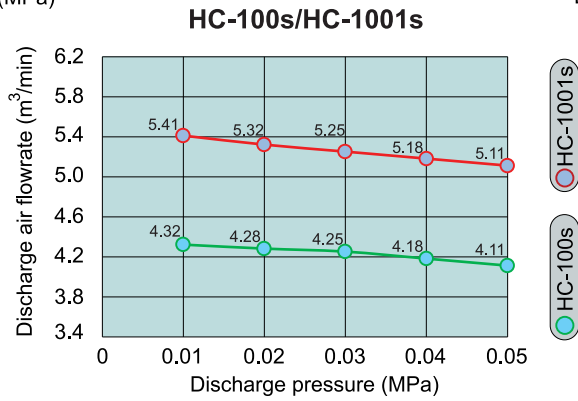
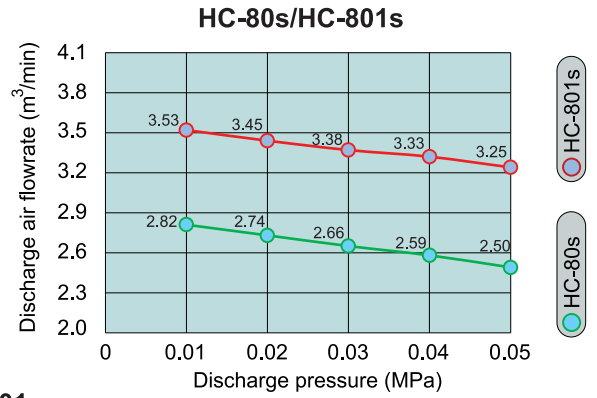
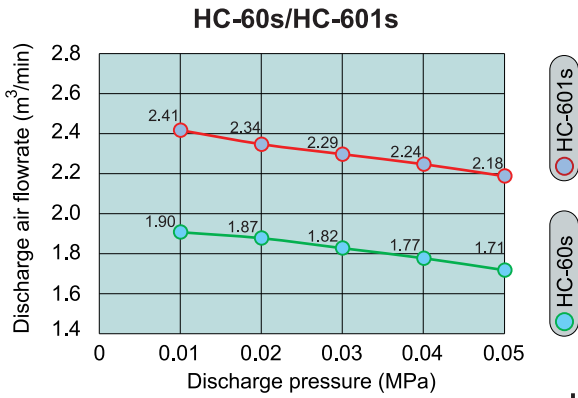
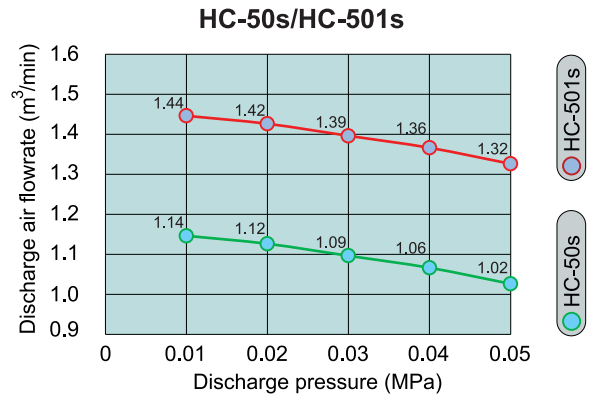
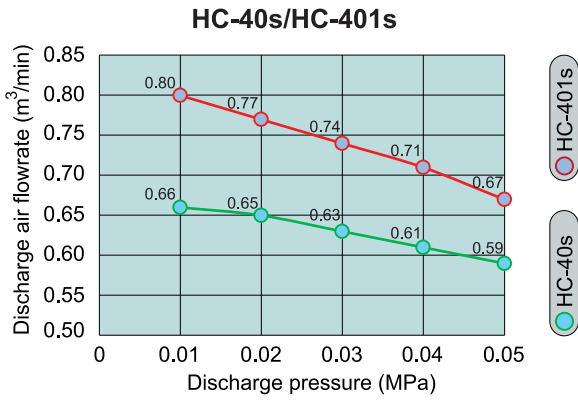
Performance curves



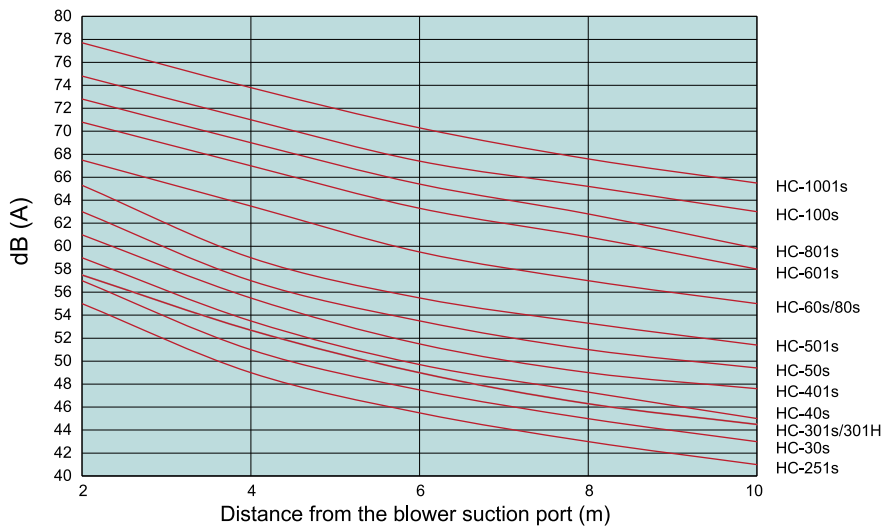
Rotary Vane Blower - HC Type



Performance curves



Noise curves

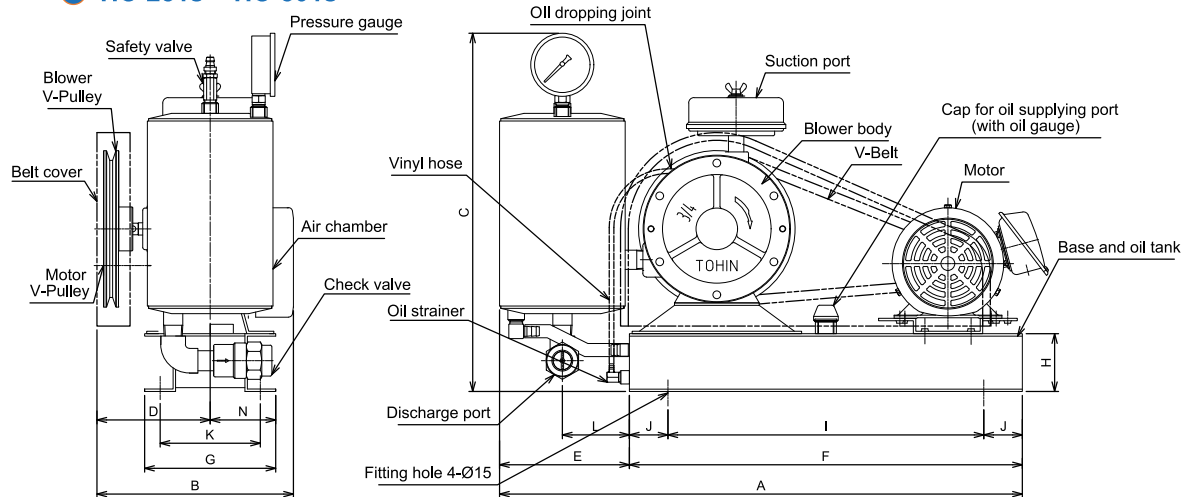




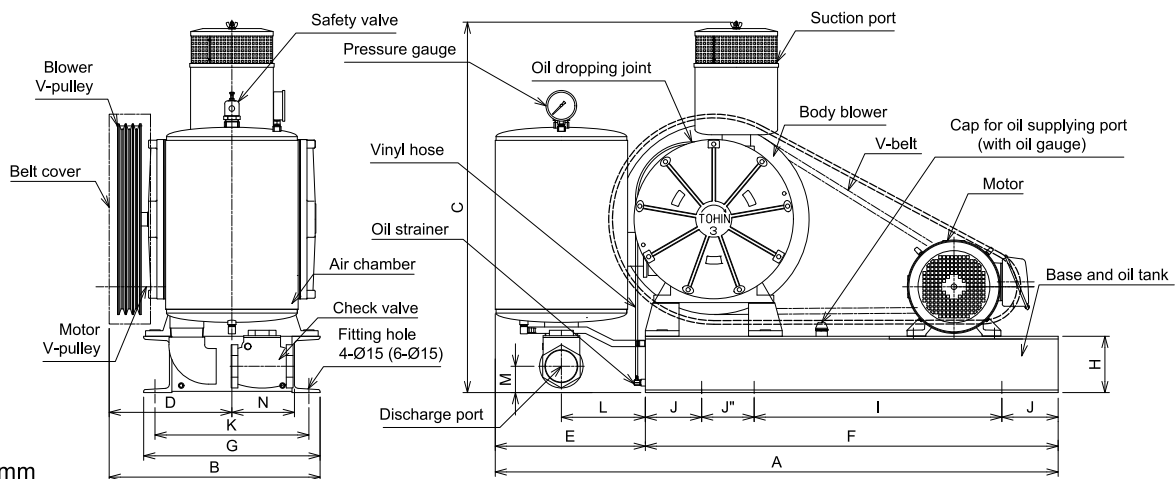
Rotary Vane Blower - HC Type

Name of parts and sizes

● HC-251s ~ HC-501s



● HC-60s ~ HC-1001s



Unit : mm

Model No.	A	B	C	D	E	F	G	H	I	J	J'	K	L	M	N	P
HC-251s	679	255	455	149	169	510	170	75	410	50	—	130	87	40	80	3/4"
HC-30s	686	273	527	160	176	510	170	75	410	50	—	130	87	55	90	1"
HC-301s	686	300	527	160	176	510	170	75	410	50	—	130	87	55	90	1"
HC-301H	686	300	527	160	176	510	170	75	410	50	—	130	87	55	90	1"
HC-40s	779	296	445	184	179	600	230	75	400	100	—	190	88	40	125	1 1/4"
HC-401s	779	296	445	184	179	600	230	75	400	100	—	190	88	40	125	1 1/4"
HC-50s	1018	350	600	213	218	800	265	75	600	100	—	225	106	60	117	1 1/2"
HC-501s	1049	373	600	213	249	800	265	75	600	100	—	225	123	60	117	1 1/2"
HC-60s	1180	385	825	233	330	850	300	100	485	125	115	260	185	60	110	2"
HC-601s	1180	385	825	233	330	850	300	100	485	125	115	260	185	60	110	2"
HC-80s	1325	440	878	260	325	1000	350	100	580	150	120	310	180	65	166	2 1/2"
HC-801s	1325	440	878	260	325	1000	350	100	580	150	120	310	180	65	166	2 1/2"
HC-100s	1500	550	987	315	400	1100	470	150	660	150	140	410	223	70	163	3"
HC-1001s	1500	550	987	315	400	1100	470	150	660	150	140	410	223	70	163	3"

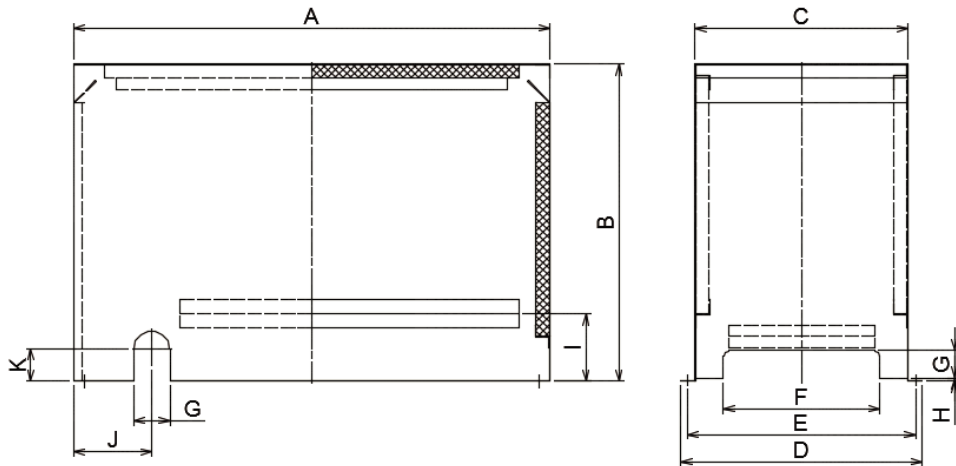
* Please refer to the outline drawing or structure diagram for more information.

Rotary Vane Blower - HC Type



Soundproof cover drawings

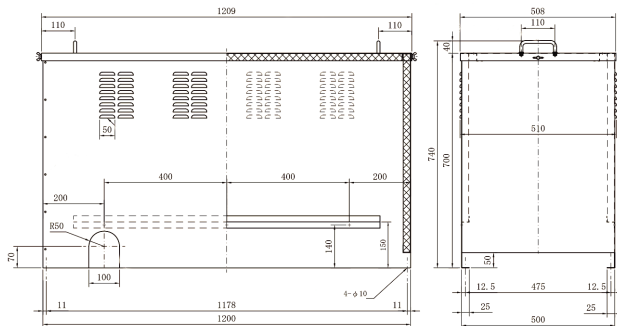
● HC-251s ~ HC-401s



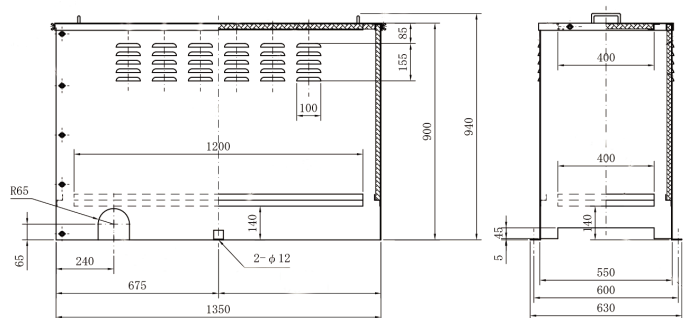
Unit: mm

Model No.	A	B	C	D	E	F	G	H	I	J	K	G
HC-251s~301H	850	565	380	430	408	280	50	5	120	140	57.5	65
HC-40s,401s	1000	575	440	490	468	310	50	5	130	175	57.5	65

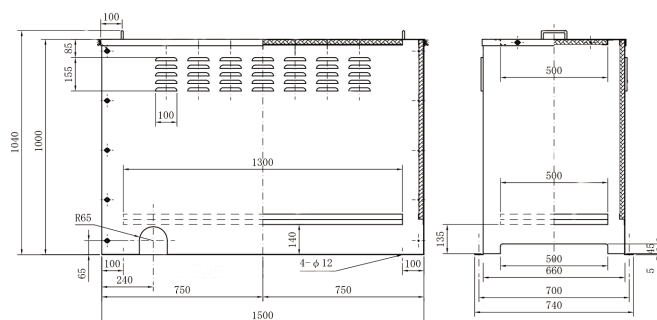
● HC-50s ~ HC-501s



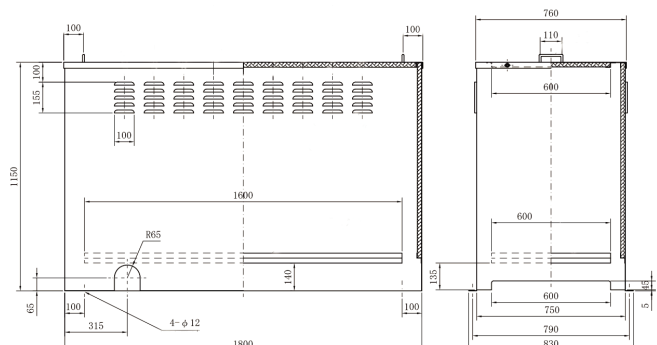
● HC-60s ~ HC-601s



● HC-80s ~ HC-801s



● HC-100s ~ HC-1001s





Rotary Vane Blower - FD Type



FD-250s
FD-300

No. 1 Japanese rotary vane blower
Four million units shipment

- ⌘ Adapt a new chamber that is tougher for continuous running.
- ⌘ More applications become available.
- ⌘ FD Type was developed based on SD type's structure, and have a greater chamber to meet various applications as middle size blower.
- ⌘ Available not only for aeration for on-site wastewater treatment but also for spray device of a combustion unit.

Feature

- ⌘ Unique oiling system that hardly run out lubricating oil in one or two years continuous operation
- ⌘ Equipped with a check valve to prevent a trouble caused by back water from a tank
- ⌘ Built-in Safety-relief valve sounds an alarm to prevent motor burnout, when the motor is overloaded by clogging of pipes or diffuser tube.
- ⌘ Has an auto-stop function (manual reset) to prevent motor burnout
- ⌘ Has great durability. Air pressure and flow rate will not change in a long time operation.
- ⌘ Motor and blower can be separated. Therefore it is flexible for modification to meet the requirements

Application

- ⌘ Aeration for on-site wastewater treatment
- ⌘ Spraying for fuel oil and kerosene oil burners
- ⌘ Aeration for fish farm
- ⌘ Agitation in plating tanks or water tanks
- ⌘ Air curtain

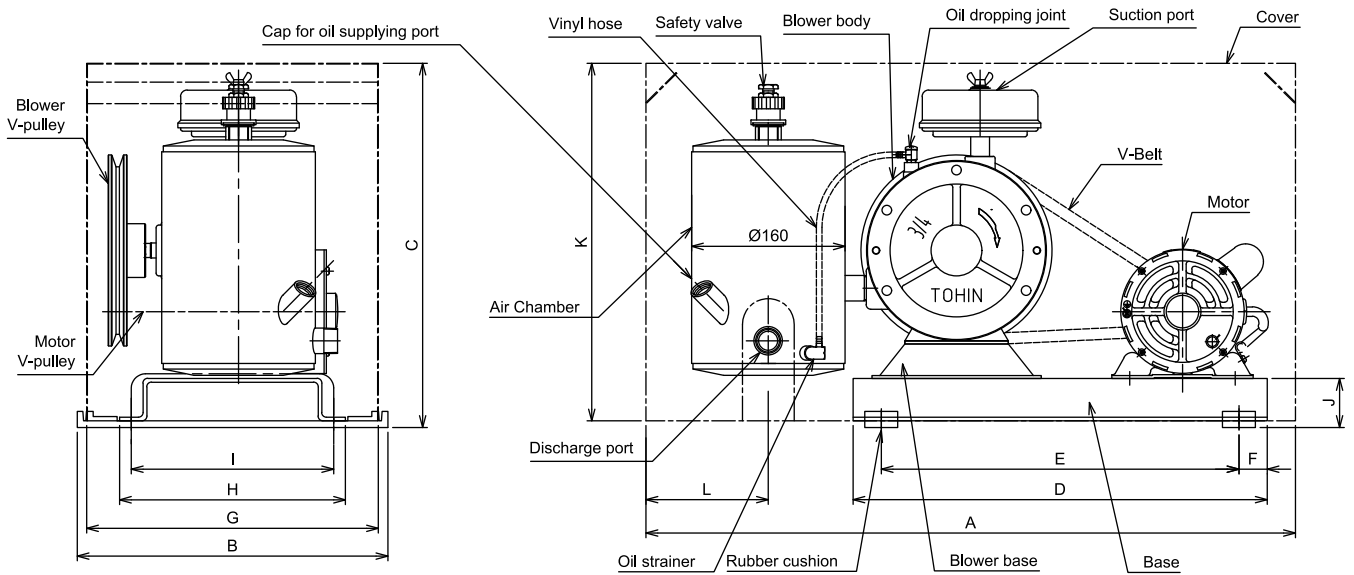
Specifications

Model No.	Dia. of Discharge	Output of motor	Frequency	Blower RPM	Air flowrate (m ³ /min)			V pulley		V Belt	Quantity of oil (effective quantity)	Appox. Weight
					0.01Mpa	0.02Mpa	0.03Mpa	Blower	Motor			
FD-250s	3/4"	400W	50Hz	540	0.265	0.250	0.237	8"	3"	A-35	1200cc (900cc)	47Kg
	(20A)		60Hz	540	0.265	0.250	0.370	8"	2 1/2"			
FD-300	3/4"	400W	50Hz	450	0.310	0.300	0.292	8"	2 1/2"	A-35	1200cc (900cc)	53Kg
	(20A)		60Hz	450	0.310	0.300	0.292	8"	2"			

Rotary Vane Blower - FD Type



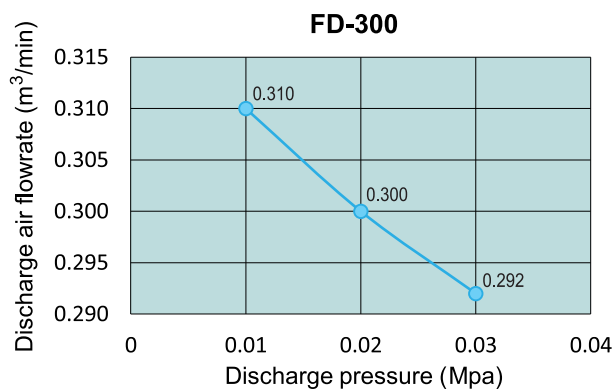
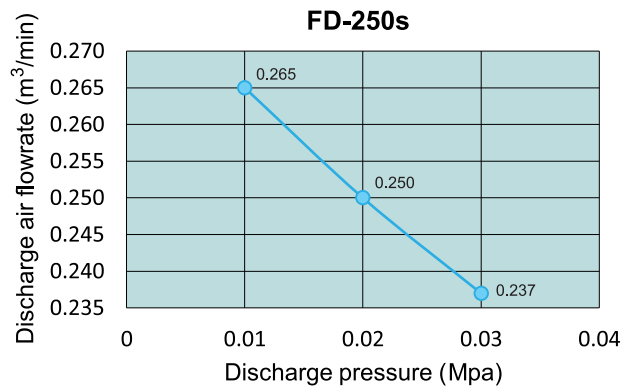
Name of parts and sizes



Unit : mm

Model No.	A	B	C	D	E	F	G	H	I	J	K	L	M
FD-250s	690	330	387	440	380	30	310	240	215	52	377	130	92
FD-300	690	330	387	440	380	30	310	240	215	52	377	130	92

Performance curves





Rotary Vane Blower - SD Type



SD-120s
SD-120
SD-150s
SD-200s

**No. 1 Japanese rotary vane blower
Four million units shipment**

- ⊗ High reliability and Easy of use.
- ⊗ SD Type rotary vane blowers are very long selling authentic compact products.
- ⊗ They are widely used such as aeration unit for on-site wastewater treatment system, or for spray device for a combustion unit. Its reliability has been highly appreciated in the market.

Feature

- ⊗ Unique oiling system that hardly run out lubricating oil in one or two years continuous operation.
- ⊗ Equipped with a check valve to prevent a trouble caused by back water from a tank.
- ⊗ Built-in Safety-relief valve sounds an alarm to prevent motor burnout, when the motor is overloaded by clogging of pipes or diffuser tube.
- ⊗ Has an auto-stop function (manual reset) to prevent motor burnout.
- ⊗ Has great durability. Air pressure and flow rate will not change in a long time operation.
- ⊗ Motor and blower can be separated. Therefore it is flexible for modification to meet the requirements.

Application

- ⊗ Aeration for on-site wastewater treatment
- ⊗ Spraying for fuel oil and kerosene oil burners
- ⊗ Aeration for fish farm
- ⊗ Agitation in plating tanks or water tanks
- ⊗ Air curtain

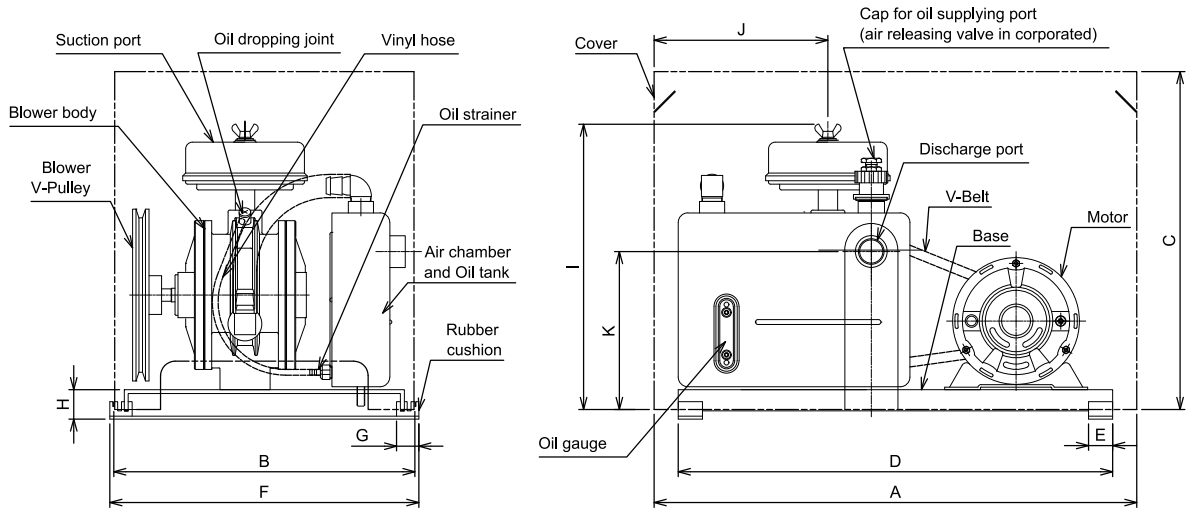
Specifications

Model No.	Dia. of Discharge	Output of motor	Frequency	Blower RPM	Air flowrate (m ³ /min)			V pulley		V Belt	Quantity of oil (effective quantity)	Approx. Weight
					0.01Mpa	0.02Mpa	0.03Mpa	Blower	Motor			
SD-120s	1/2"	250W	50Hz	480	0.124	0.120	0.114	7"	2 1/2"	M-30	600cc (600cc)	25Kg
			60Hz	480	0.124	0.120	0.114	7"	2"	M-30		
SD-120	3/4"	250W	50Hz	480	0.124	0.120	0.114	7"	2 1/2"	M-33	1000cc (650cc)	29.5Kg
			60Hz	480	0.124	0.120	0.114	7"	2"	M-33		
SD-150s	3/4"	250W	50Hz	600	0.156	0.150	0.145	7"	3"	M-33	1000cc (650cc)	30Kg
			60Hz	600	0.156	0.150	0.145	7"	2 1/2"	M-33		
SD-200s	3/4"	250W	50Hz	600	0.205	0.200	0.195	7"	3"	M-33	1000cc (650cc)	34Kg
			60Hz	600	0.205	0.200	0.195	7"	2 1/2"	M-33		

Rotary Vane Blower - SD Type



Name of parts and sizes



Unit : mm

Model No.	A	B	C	D	E	F	G	H	I	J	K	M
SD-120s	420	265	313	400	25	275	23	26.5	285	150	169	1/2"
SD-120	480	265	338	440	25	275	23	30.5	303	220	173.5	3/4"
SD-150s	480	265	338	440	25	275	23	30.5	303	220	173.5	3/4"
SD-200s	500	310	360	450	25	320	23	30.5	305.5	225	173.5	3/4"

Performance curves

