



EVMSG

Vertical Multistage Pumps



**with unique low axial
thrust impeller design**

Any motor • Anywhere



Important Note: Text and Performance curves in Grey are not part of EPA Market range.

SPECIFICATIONS	Page
PRODUCT FEATURES	100
PRODUCT SPECIFICATIONS	101
SHAFT SEAL	102
TYPE KEY	103
PERFORMANCE RANGE	104
CURVE SPECIFICATIONS	105
SELECTION CHART	106-107
PERFORMANCE CURVES & TECHNICAL DATA	
PERFORMANCE CURVE - EVMSG1	200
TECHNICAL DATA - EVMSG1	201
SECTIONAL VIEW - EVMSG1	202
SECTIONAL TABLE - EVMSG1	203
QUANTITY FOR MODEL - EVMSG1	204
PERFORMANCE CURVE - EVMSG3	205
TECHNICAL DATA - EVMSG3	206
SECTIONAL VIEW - EVMSG3	207
SECTIONAL TABLE - EVMSG3	208
QUANTITY FOR MODEL - EVMSG3	209
PERFORMANCE CURVE - EVMSG5	210
TECHNICAL DATA - EVMSG5	211
SECTIONAL VIEW - EVMSG5	212
SECTIONAL TABLE - EVMSG5	213
QUANTITY FOR MODEL - EVMSG5	214
PERFORMANCE CURVE - EVMSG10	215
TECHNICAL DATA - EVMSG10	216
SECTIONAL VIEW - EVMSG10	217
SECTIONAL TABLE - EVMSG10	218
QUANTITY FOR MODEL - EVMSG10	219
PERFORMANCE CURVE - EVMSG15	220
TECHNICAL DATA - EVMSG15	221
SECTIONAL VIEW - EVMSG15	222
SECTIONAL TABLE - EVMSG15	223
QUANTITY FOR MODEL - EVMSG15	224
PERFORMANCE CURVE - EVMSG20	225
TECHNICAL DATA - EVMSG20	226
SECTIONAL VIEW - EVMSG20	227
SECTIONAL TABLE - EVMSG20	228
QUANTITY FOR MODEL - EVMSG20	229
PACKING DATA	
PACKING DRAWING	300
PACKING DATA	301-302
MOTOR DATA	
TECHNICAL MOTOR DATA	400




PRODUCT FEATURES

50 Hz

[General]

1. **Pump Type**
The EVMSG is a Non-self-priming, vertical multistage in line, centrifugal pump.
2. **Model range**
The EVMSG comes in **1,3,5,10,15 and 20 m3/h flow sizes** for the majority market needs.
3. **Maximum operating pressure**
The EVMSG can be operated **at 16 bar or 25 bar as maximum.**
4. **Operating temperature range**
The EVMSG can be operated **from -30 to +140** degrees celsius as the maximum.
5. **Material options**
AISI 304, AISI 316 and Cast iron versions are available.
6. **Motor**
The EVMSG can be coupled with IEC standard motors.

7. **Certifications**

Drinking water approval	DM174/2004  TIP9 prodotto conforme D.M.174/2004	ACS  ASSOCIAZIONE DI CONFORMITÀ INTERNAZIONALE ACS	KTW*  CERTIFIED COMPONENTS
	Mechanical seal	SiC/Carbon_EPDM	SiC/Carbon_EPDM
EVMSG		-	-
EVMS			
EVMSL			

Note: * KTW is certified for components.

Standard
On request

8. **Conform to the provisions of the European directives**

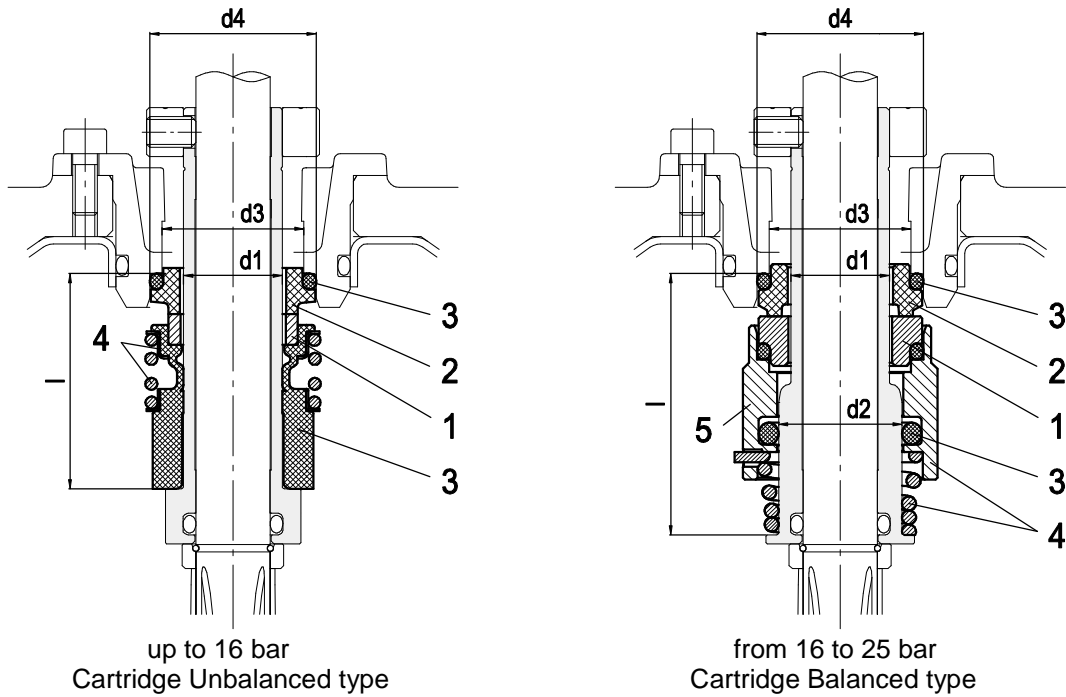


[Main Product Features]

1. **Innovative hydraulic solutions**
 - **Commercial motors** can be fitted to all of the pump models without any modifications thanks to low pump axial thrust load.
 - Low axial thrust load impeller can ensure **long life of the motor bearing.**
 - **High pump efficiency** classified in MEI > 0.7 for all models.
2. **Energy saving**
 - **High efficiency E3 motors** starting from 0.75kW can be fitted as an option.
 - A **VFD (Variable frequency drive)** and **the commercial sensor** can be directly mounted on EVMSG to maintain physical constant operations such as pumping pressure depending on the conditions of use.
3. **Piping connection options**
 - The various pipe connections are available depending on the application requirements **Oval flange / Round flange / Loose flange / Victaulic® / Clamp**
 - The external dimensions can be adjusted to the replacement of the existing pump in the wide majority
4. **Shaft seal solutions**
 - Silicon carbide inclusions with graphite can be used as **dry lubricant to reduce friction.**
 - It's conforming to EN12756 (ex DIN 24960)
5. **Easy maintenance**
 - **The cartridge mechanical seal** enables **the plug in replacement** of the shaft seal without disassembling the motor bracket
 - **The spacer coupling** allows easy maintenance without having to remove heavy motors over 5.5 kW.
6. **Smart plug solutions**
Air ventilation plug / Water filling & sensor plug / Commercial sensor fitting / Measurements for suction and discharge pressure / drain

PUMP			
EVMSG			
Operating range	Maximum working pressure	1.6 / 2.5 MPa (16 bar/ 25 bar)	
	Liquid temperature range	-30°C to 140°C	
Key Components Material	Impeller	EN 1.4301 (AISI 304)	
	Intermediate casing	EN 1.4301 (AISI 304)	
	Liner ring	EN 1.4301 (AISI 304) + PPS	
	Bottom casing	Cast Iron	
	Casing cover	EN 1.4301 (AISI 304)	
	Shaft	EN 1.4301 (AISI 304)	EVMSG 1-3-10 , EVMSG 5-15-20 (depend on models)
		EN 1.4462 (AISI 329A)	EVMSG 5-15-20 (depend on models)
	Shaft sleeve bearing	Tungsten carbide	
	Shaft Seal	See the shaft seal options	
	O-ring	EPDM	Standard
		FPM	Optional
	Outer casing	EN 1.4301 (AISI 304)	
	Motor Bracket	Cast Iron	
	Tie rod	Galvanized steel 6.8 strength class ISO 898/1	
	Coupling	up to 4 kW	Die cast aluminium
from 5.5 kW		Cast Iron	
Base	Cast Iron		
Pipe connection	Oval flange	up to 16 bar Standard 1, 3, 5 & 10 models	
	Round flange (DIN)	up to 16 bar	Standard 15 & 20 models - Optional 1, 3, 5 & 10 models
		from 16 bar to 25 bar	Standard - All models

Motor		Standard In Australia (WEG W21 E2 motors)	Options available on request	
Power Source	Frequency	50 Hz		
	Phase	Three Phase	Single Phase (up to 3 kW)	
	Rotation Speed	~ 2900 min		
	Power Rating		0.37 ÷ 18.5 kW	
			0.5 ÷ 25 HP	
Voltage		230/400 ± 10% (up to 3 kW)		
		400/690 ± 10% (4.0 kW & above)		
Type	Type	Electric - TEFC	other enclosures on request	
	Efficiency	E2	E3 from 0.75 to 18.5 kW (3ph)	
	No. of poles	2		
	Protection Degree	IP 55	IP 56, IP 66	
	Insulation Class	F (temperature rise class B)	H (temperature rise class B)	
Others	Casing Material	Aluminium(up to 7.5 kW) / Cast Iron (11 kW & above)	Cast iron	
	Flange Mount (IEC motor)	IM B14 (up to 4 kW) IM B5 (5.5 kW & above)		

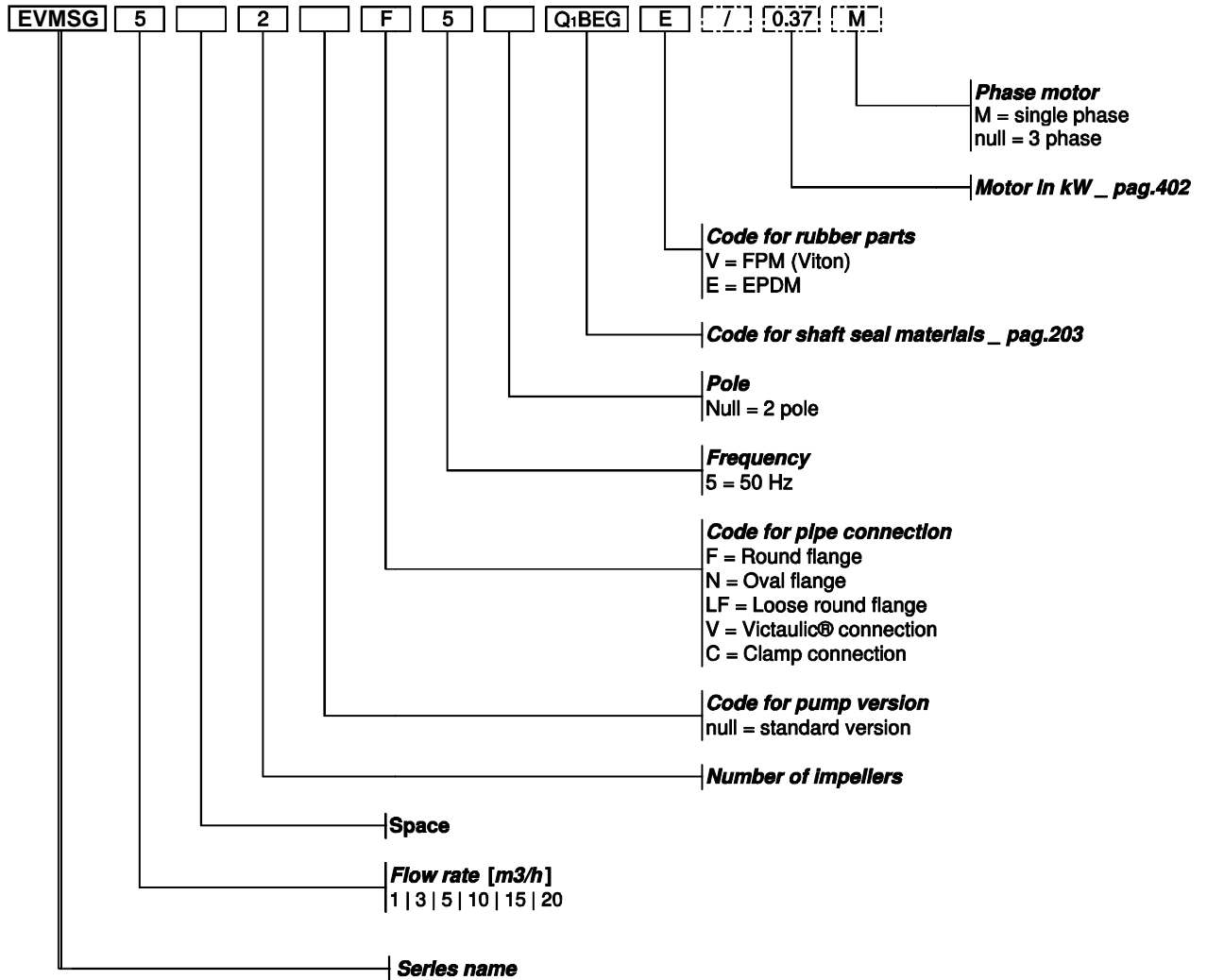


Legend: ● Standard ○ Options () Type key

Pump model	Max liquid temperature range	Shaft seal type Cartridge		Shaft seal material					Type key
		Unbalanced	Balanced	1 Rotating Part	2 Stationary Part	3 Elastomers	4 Spring	5 Collar	
up to 16 bar	- 30°C to + 120°C	●		SiC (Q)	Carbon (B)	EPDM (E)	AISI316 (G)		Q ₁ BEG
	- 30°C to + 80°C	○		SiC (Q)	Carbon (B)	FPM (V)	AISI316 (G)		Q ₁ BVG
	- 30°C to + 140°C		○	SiC with graphite (Q _g)	SiC (Q ₁)	EPDM (E)	AISI316 (G)		HQ _g Q ₁ EG
	- 30°C to + 80°C		○	SiC with graphite (Q _g)	SiC (Q ₁)	FPM (V)	AISI316 (G)		HQ _g Q ₁ VG
	- 30°C to + 140°C		○	SiC (Q ₁)	Carbon (B)	EPDM (E)	AISI316 (G)		HQ ₁ BEG
from 16 bar to 25 bar	- 30°C to + 140°C		●	SiC (Q ₁)	Carbon (B)	EPDM (E)	AISI316 (G)		HQ ₁ BEG
	- 30°C to + 80°C		○	SiC (Q ₁)	Carbon (B)	FPM (V)	AISI316 (G)		HQ ₁ BVG
	- 30°C to + 140°C		○	SiC with graphite (Q _g)	SiC (Q ₁)	EPDM (E)	AISI316 (G)		HQ _g Q ₁ EG
	- 30°C to + 80°C		○	SiC with graphite (Q _g)	SiC (Q ₁)	FPM (V)	AISI316 (G)		HQ _g Q ₁ VG

Pump model	Shaft seal type		Max operating pressure	d1 [mm]	d2 [mm]	d3 [mm]	d4 [mm]	l [mm]
EVMSG 1/3/5	Cartridge	Unbalanced	16 bar	16	-	23	27	35
		Balanced	25 bar		20			42.5
EVMSG 10/15/20	Cartridge	Unbalanced	16 bar	20	-	29	35	37.5
		Balanced	25 bar		24			45

EVMSG1-3-5-10-15-20



Example for pump without motor
EVMSG5 2F5Q1BEGE

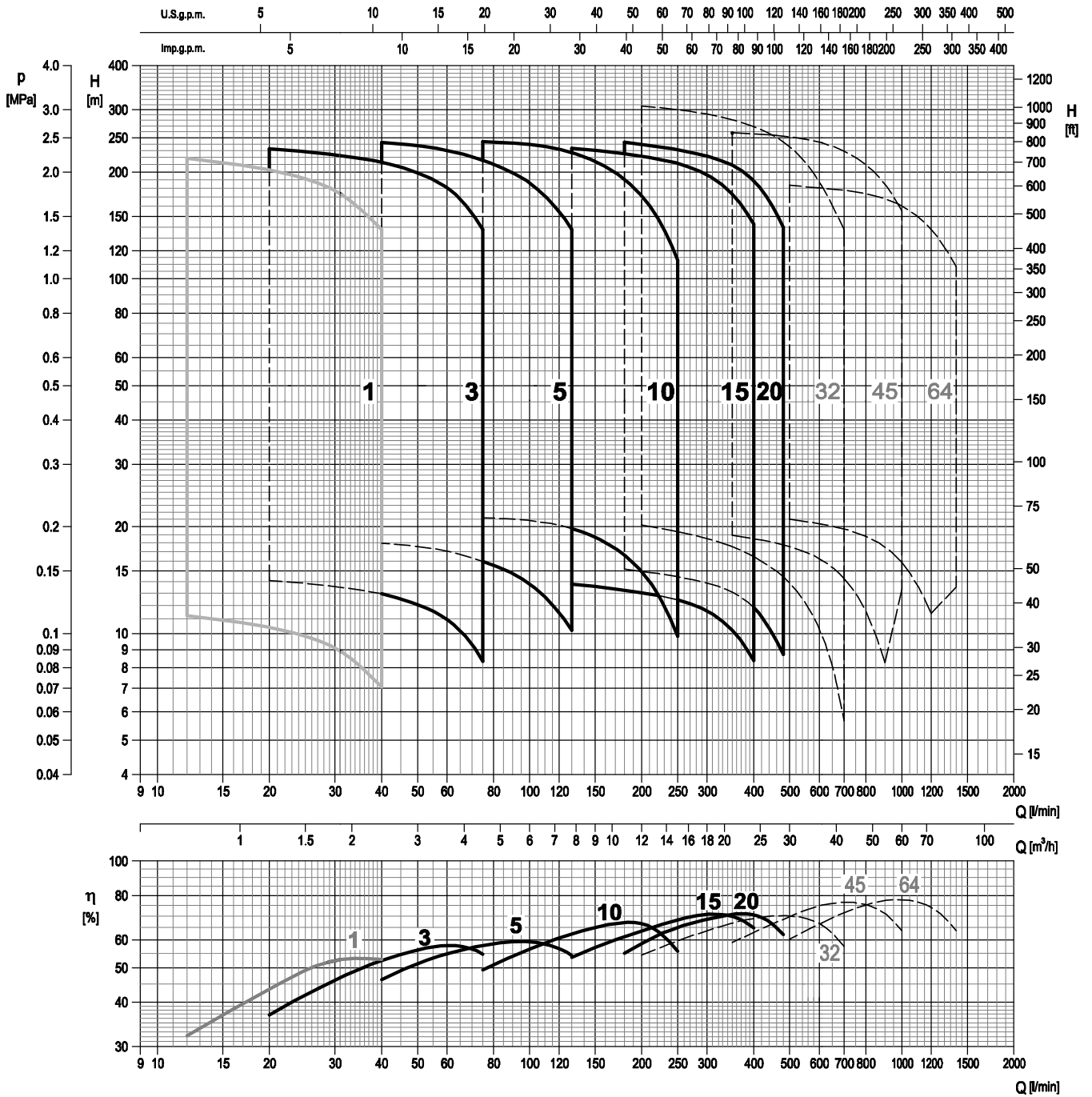
Example for pump with motor
EVMSG5 2F5Q1BEGE/0.37M

NAMEPLATE

TYPE		①		m		⑤		m		③		m	
Q	②	l/min		H	④	m		⑥		min ⁻¹		⑨	
P2	⑦	kW		Hz	⑧	min ⁻¹		⑩		⑪		%	
HP	⑦	P/N		⑩		⑪		⑫		⑬		%	
MEI >	⑪	hyd. eff.		⑫		⑬		⑭		⑮		%	

- 1) "TYPE" Pump model
- 2) "Q" Indicates upper and lower flow rate limits
- 3) "H" Indicates head limits corresponding to minimum and maximum flow rate
- 4) "Hmax" Maximum head
- 5) "Hmin" Minimum head
- 6) "P2" Rated power of the motor (output at shaft)
- 7) "HP" Rated power of the motor expressed in HP (Horse Power)
- 8) "Hz" Frequency
- 9) "min-1" Speed of rotation
- 10) "P/N" Pump item number
- 11) "MEI" Index of the pump's quality in relation to its efficiency
- 12) "Hyd. Eff." Hydraulic efficiency of the pump

EVMSG 1-3-5-10-15-20



The specifications below qualify the curves shown on the following pages.

Tolerances according to ISO 9906:2012 - Grade 3B.

The curves refer to effective speed of asynchronous motors at 50 Hz, 2 poles.

Measurements were carried out with clean water at 20°C of temperature and with a kinematic viscosity of $\nu = 1 \text{ mm}^2/\text{s}$ (1 cSt).

The NPSH curve is an average curve obtained in the same conditions of performance curves.

During the pump selection, consider to get a safety margin of at least 0.5 m.

The continuous curves indicate the recommended working range. The dotted curve is only a guide.

In order to avoid the risk of over-heating, the pumps should not be used at a flow rate below 10% of best efficiency point.

Symbols explanation:

- Q = volume flow rate
- H = total head
- P_2 = pump power input (shaft power)
- h = pump efficiency
- NPSH = net positive suction head required by the pump
- MEI = minimum efficiency index

The minimum efficiency index (MEI) is a measure of the quality of a pump size in respect to its mean efficiency. The minimum efficiency index is based on the hydraulic efficiency and on the head at the best efficiency point.

The efficiency of a pump with trimmed impeller is usually lower than that of a pump with the full impeller diameter. The trimming of the impeller will adapt the pump to a fixed duty point, leading to a reduced energy consumption. The minimum efficiency index (MEI) is based on the full impeller diameter.

The operation of these water pumps with variable duty points may be more efficient and economical when controlled, for example, by the use of a variable speed drive that matches the pump duty to the system.

Minimum efficiency index (MEI)

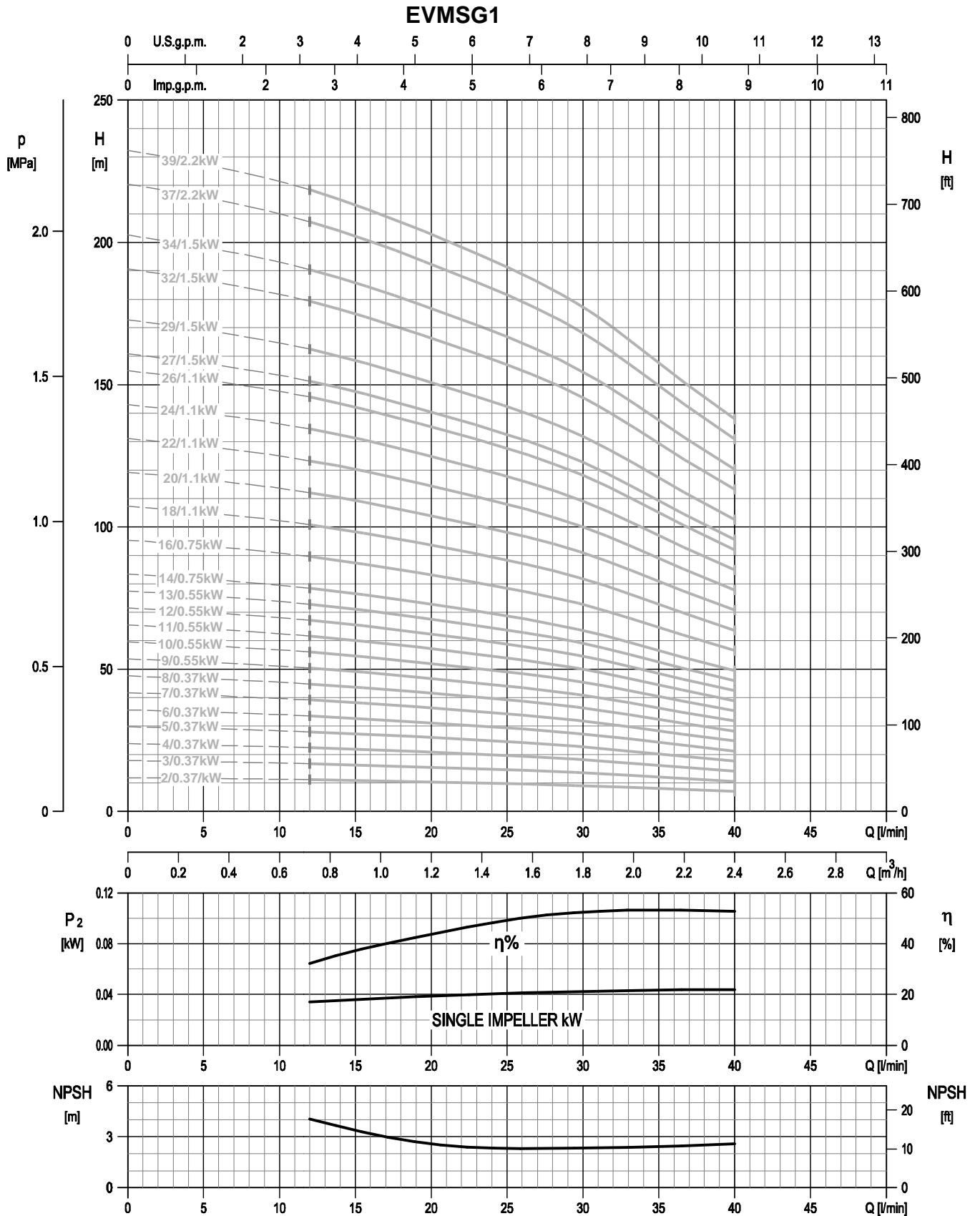
Pump type	MEI
EVMSG1	> 0.70
EVMSG3	> 0.70
EVMSG5	> 0.70
EVMSG10	> 0.70
EVMSG15	> 0.70
EVMSG20	> 0.70

EVMSG 1-3-5

	Pump Type		Motor			Maximum working pressure (MPa)	Q=Capacity															
							kW	HP	Size	H=Total manometric head in meters												
	Single phase	Three phase																				
1	EVMSG1 2/0.37M	EVMSG1 2/0.37	0.37	0.5	71	1.6	11.9	11.2	10.4	9.1	7.1	-	-	-	-	-	-	-	-	-	-	
	EVMSG1 3/0.37M	EVMSG1 3/0.37	0.37	0.5	71		17.9	16.8	15.6	13.6	10.6	-	-	-	-	-	-	-	-	-	-	-
	EVMSG1 4/0.37M	EVMSG1 4/0.37	0.37	0.5	71		23.8	22.4	20.8	18.2	14.2	-	-	-	-	-	-	-	-	-	-	-
	EVMSG1 5/0.37M	EVMSG1 5/0.37	0.37	0.5	71		30	28	26	22.7	17.7	-	-	-	-	-	-	-	-	-	-	-
	EVMSG1 6/0.37M	EVMSG1 6/0.37	0.37	0.5	71		35.8	33.6	31.2	27.3	21.2	-	-	-	-	-	-	-	-	-	-	-
	EVMSG1 7/0.37M	EVMSG1 7/0.37	0.37	0.5	71		41.5	39.2	36.4	31.8	24.8	-	-	-	-	-	-	-	-	-	-	-
	EVMSG1 8/0.37M	EVMSG1 8/0.37	0.37	0.5	71		47.5	44.5	41.5	36.4	28.3	-	-	-	-	-	-	-	-	-	-	-
	EVMSG1 9/0.55M	EVMSG1 9/0.55	0.55	0.75	71		53.5	50.5	47	41	31.8	-	-	-	-	-	-	-	-	-	-	-
	EVMSG1 10/0.55M	EVMSG1 10/0.55	0.55	0.75	71		59.6	56	52	45.5	35.4	-	-	-	-	-	-	-	-	-	-	-
	EVMSG1 11/0.55M	EVMSG1 11/0.55	0.55	0.75	71		65.5	61.5	57	50	38.9	-	-	-	-	-	-	-	-	-	-	-
	EVMSG1 12/0.55M	EVMSG1 12/0.55	0.55	0.75	71		71.5	67	62.5	54.5	42.5	-	-	-	-	-	-	-	-	-	-	-
	EVMSG1 13/0.55M	EVMSG1 13/0.55	0.55	0.75	71		77.5	73	67.5	59	46	-	-	-	-	-	-	-	-	-	-	-
	EVMSG1 14/0.75M	EVMSG1 14/0.75	0.75	1	80		83.5	78.5	73	63.5	49.5	-	-	-	-	-	-	-	-	-	-	-
	EVMSG1 16/0.75M	EVMSG1 16/0.75	0.75	1	80		95.5	89.5	83	72.5	56.5	-	-	-	-	-	-	-	-	-	-	-
	EVMSG1 18/1.1M	EVMSG1 18/1.1	1.1	1.5	80		107	101	93.5	82	63.5	-	-	-	-	-	-	-	-	-	-	-
	EVMSG1 20/1.1M	EVMSG1 20/1.1	1.1	1.5	80		119	112	104	91	71	-	-	-	-	-	-	-	-	-	-	-
	EVMSG1 22/1.1M	EVMSG1 22/1.1	1.1	1.5	80		131	123	114	100	78	-	-	-	-	-	-	-	-	-	-	-
	EVMSG1 24/1.1M	EVMSG1 24/1.1	1.1	1.5	80		143	135	125	109	85	-	-	-	-	-	-	-	-	-	-	-
	EVMSG1 26/1.1M	EVMSG1 26/1.1	1.1	1.5	80		155	146	135	118	92	-	-	-	-	-	-	-	-	-	-	-
	EVMSG1 27/1.5M	EVMSG1 27/1.5	1.5	2	90 S		161	151	140	123	95.5	-	-	-	-	-	-	-	-	-	-	-
	EVMSG1 29/1.5M	EVMSG1 29/1.5	1.5	2	90 S		173	163	151	132	103	-	-	-	-	-	-	-	-	-	-	-
	EVMSG1 32/1.5M	EVMSG1 32/1.5	1.5	2	90 S		191	179	166	145	113	-	-	-	-	-	-	-	-	-	-	-
	EVMSG1 34/1.5M	EVMSG1 34/1.5	1.5	2	90 S		203	191	177	155	120	-	-	-	-	-	-	-	-	-	-	-
	EVMSG1 37/2.2M	EVMSG1 37/2.2	2.2	3	90 L		221	207	192	168	131	-	-	-	-	-	-	-	-	-	-	-
EVMSG1 39/2.2M	EVMSG1 39/2.2	2.2	3	90 L	232	219	203	177	138	-	-	-	-	-	-	-	-	-	-	-		
3	EVMSG3 2/0.37M	EVMSG3 2/0.37	0.37	0.5	71	1.6	14.7	-	14.1	13.6	12.9	10.9	8.3	-	-	-	-	-	-	-	-	
	EVMSG3 3/0.37M	EVMSG3 3/0.37	0.37	0.5	71		22.1	-	21.1	20.4	19.4	16.4	12.5	-	-	-	-	-	-	-	-	-
	EVMSG3 4/0.37M	EVMSG3 4/0.37	0.37	0.5	71		29.5	-	28.2	27.1	25.8	21.9	16.7	-	-	-	-	-	-	-	-	-
	EVMSG3 5/0.55M	EVMSG3 5/0.55	0.55	0.75	71		36.9	-	35.2	33.9	32.3	27.4	20.9	-	-	-	-	-	-	-	-	-
	EVMSG3 6/0.55M	EVMSG3 6/0.55	0.55	0.75	71		44.2	-	42.5	40.5	38.8	32.8	25	-	-	-	-	-	-	-	-	-
	EVMSG3 7/0.75M	EVMSG3 7/0.75	0.75	1	80		51.5	-	49.5	47.5	45	38.3	29.2	-	-	-	-	-	-	-	-	-
	EVMSG3 8/0.75M	EVMSG3 8/0.75	0.75	1	80		59	-	56.5	54.5	51.5	44	33.4	-	-	-	-	-	-	-	-	-
	EVMSG3 9/1.1M	EVMSG3 9/1.1	1.1	1.5	80		66.5	-	63.5	61	58	49	37.6	-	-	-	-	-	-	-	-	-
	EVMSG3 10/1.1M	EVMSG3 10/1.1	1.1	1.5	80		73.5	-	70.5	68	64.5	54.5	41.5	-	-	-	-	-	-	-	-	-
	EVMSG3 11/1.1M	EVMSG3 11/1.1	1.1	1.5	80		81	-	77.5	74.5	71	60	46	-	-	-	-	-	-	-	-	-
	EVMSG3 12/1.1M	EVMSG3 12/1.1	1.1	1.5	80		88.5	-	84.5	81.5	77.5	65.5	50	-	-	-	-	-	-	-	-	-
	EVMSG3 13/1.5M	EVMSG3 13/1.5	1.5	2	90 S		96	-	91.5	88	84	71	54.5	-	-	-	-	-	-	-	-	-
	EVMSG3 14/1.5M	EVMSG3 14/1.5	1.5	2	90 S		103	-	98.5	95	90.5	76.5	58.5	-	-	-	-	-	-	-	-	-
	EVMSG3 15/1.5M	EVMSG3 15/1.5	1.5	2	90 S		111	-	106	102	97	82	62.5	-	-	-	-	-	-	-	-	-
	EVMSG3 16/1.5M	EVMSG3 16/1.5	1.5	2	90 S		118	-	113	109	103	87.5	67	-	-	-	-	-	-	-	-	-
	EVMSG3 17/2.2M	EVMSG3 17/2.2	2.2	3	90 L		125	-	120	115	110	93	71	-	-	-	-	-	-	-	-	-
	EVMSG3 19/2.2M	EVMSG3 19/2.2	2.2	3	90 L		140	-	134	129	123	104	79.5	-	-	-	-	-	-	-	-	-
	EVMSG3 21/2.2M	EVMSG3 21/2.2	2.2	3	90 L		155	-	148	142	136	115	87.5	-	-	-	-	-	-	-	-	-
	EVMSG3 23/2.2M	EVMSG3 23/2.2	2.2	3	90 L		170	-	162	156	149	126	96	-	-	-	-	-	-	-	-	-
	EVMSG3 24/2.2M	EVMSG3 24/2.2	2.2	3	90 L		177	-	169	163	155	131	100	-	-	-	-	-	-	-	-	-
	-	EVMSG3 25/3.0	3.0	4	100 L		184	-	176	170	161	137	104	-	-	-	-	-	-	-	-	-
	-	EVMSG3 27/3.0	3.0	4	100 L		199	-	190	183	174	148	113	-	-	-	-	-	-	-	-	-
	-	EVMSG3 29/3.0	3.0	4	100 L		214	-	204	197	187	159	121	-	-	-	-	-	-	-	-	-
	-	EVMSG3 31/3.0	3.0	4	100 L		229	-	218	210	200	170	129	-	-	-	-	-	-	-	-	-
-	EVMSG3 33/3.0	3.0	4	100 L	243	-	232	224	213	181	138	-	-	-	-	-	-	-	-	-		
5	EVMSG5 2/0.37M	EVMSG5 2/0.37	0.37	0.5	71	1.6	19	-	-	-	18	17.1	16	13.8	10.2	-	-	-	-	-	-	
	EVMSG5 3/0.55M	EVMSG5 3/0.55	0.55	0.75	71		28.4	-	-	-	-	26.9	25.6	23.9	20.7	15.3	-	-	-	-	-	
	EVMSG5 4/0.75M	EVMSG5 4/0.75	0.75	1	80		37.9	-	-	-	-	35.9	34.1	31.9	27.6	20.4	-	-	-	-	-	
	EVMSG5 5/1.1M	EVMSG5 5/1.1	1.1	1.5	80		47.5	-	-	-	-	45	42.5	39.9	34.5	25.5	-	-	-	-	-	
	EVMSG5 6/1.5M	EVMSG5 6/1.5	1.5	2	90 S		57	-	-	-	54	51	48	41.5	30.6	-	-	-	-	-	-	
	EVMSG5 7/1.5M	EVMSG5 7/1.5	1.5	2	90 S		66.5	-	-	-	63	59.5	56	48.5	35.7	-	-	-	-	-	-	
	EVMSG5 8/2.2M	EVMSG5 8/2.2	2.2	3	90 L		76	-	-	-	72	68	64	55	41	-	-	-	-	-	-	
	EVMSG5 9/2.2M	EVMSG5 9/2.2	2.2	3	90 L		85.5	-	-	-	81	77	72	62	46	-	-	-	-	-	-	
	EVMSG5 10/2.2M	EVMSG5 10/2.2	2.2	3	90 L		95	-	-	-	90	85.5	80	69	51	-	-	-	-	-	-	
	EVMSG5 11/2.2M	EVMSG5 11/2.2	2.2	3	90 L		104	-	-	-	98.5	94	87.5	76	56	-	-	-	-	-	-	
	-	EVMSG5 12/3.0	3.0	4	100 L		114	-	-	-	108	102	95.5	83	61	-	-	-	-	-	-	
	-	EVMSG5 13/3.0	3.0	4	100 L		123	-	-	-	117	111	104	89.5	66.5	-	-	-	-	-	-	
	-	EVMSG5 14/3.0	3.0	4	100 L		133	-	-	-	126	119	112	96.5	71.5	-	-					

PERFORMANCE CURVE

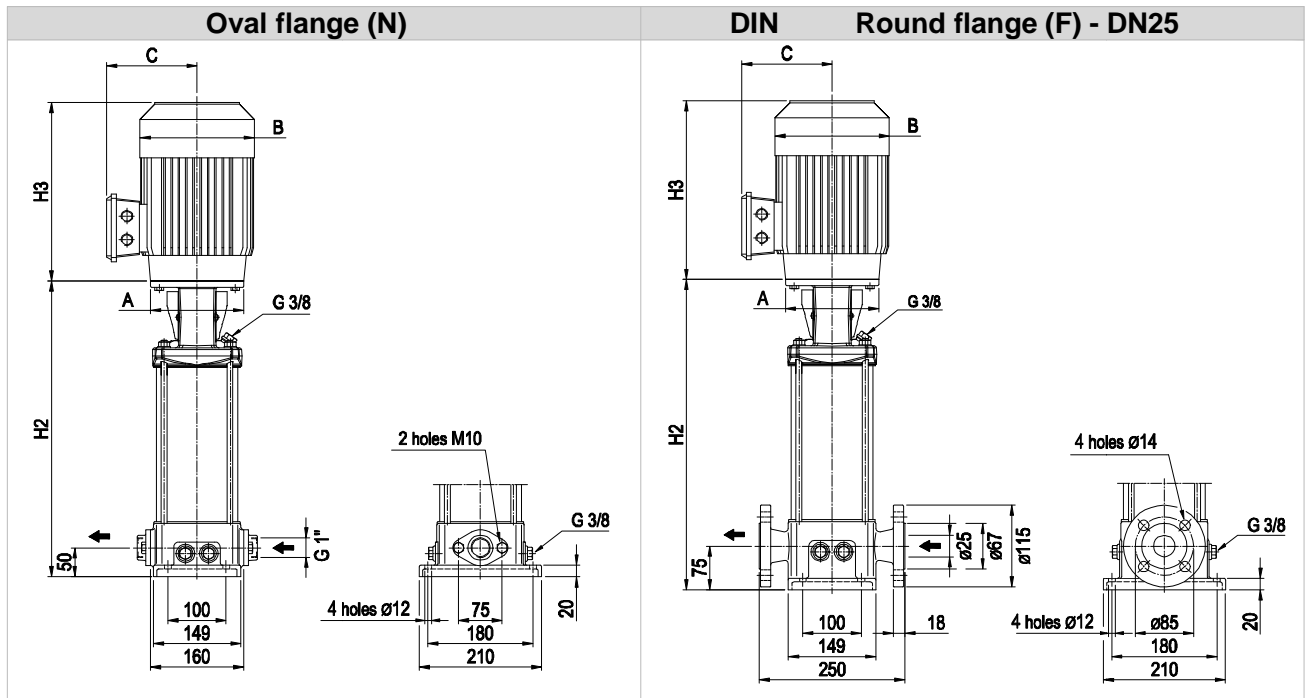
50 Hz



Rotation speed 2900 min⁻¹
 Test standard: ISO 9906:2012 - Grade 3B

EVMSG1

Dimensional sketch



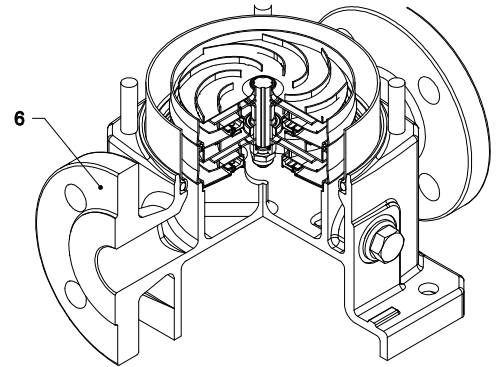
Note: Dimensions H3, C & B may vary depending on motor type fitted. Dimensions refer to Ebara factory motors (European) not generally fitted in Australia. Example only.

Dimensions [mm] and Weights [Kg]

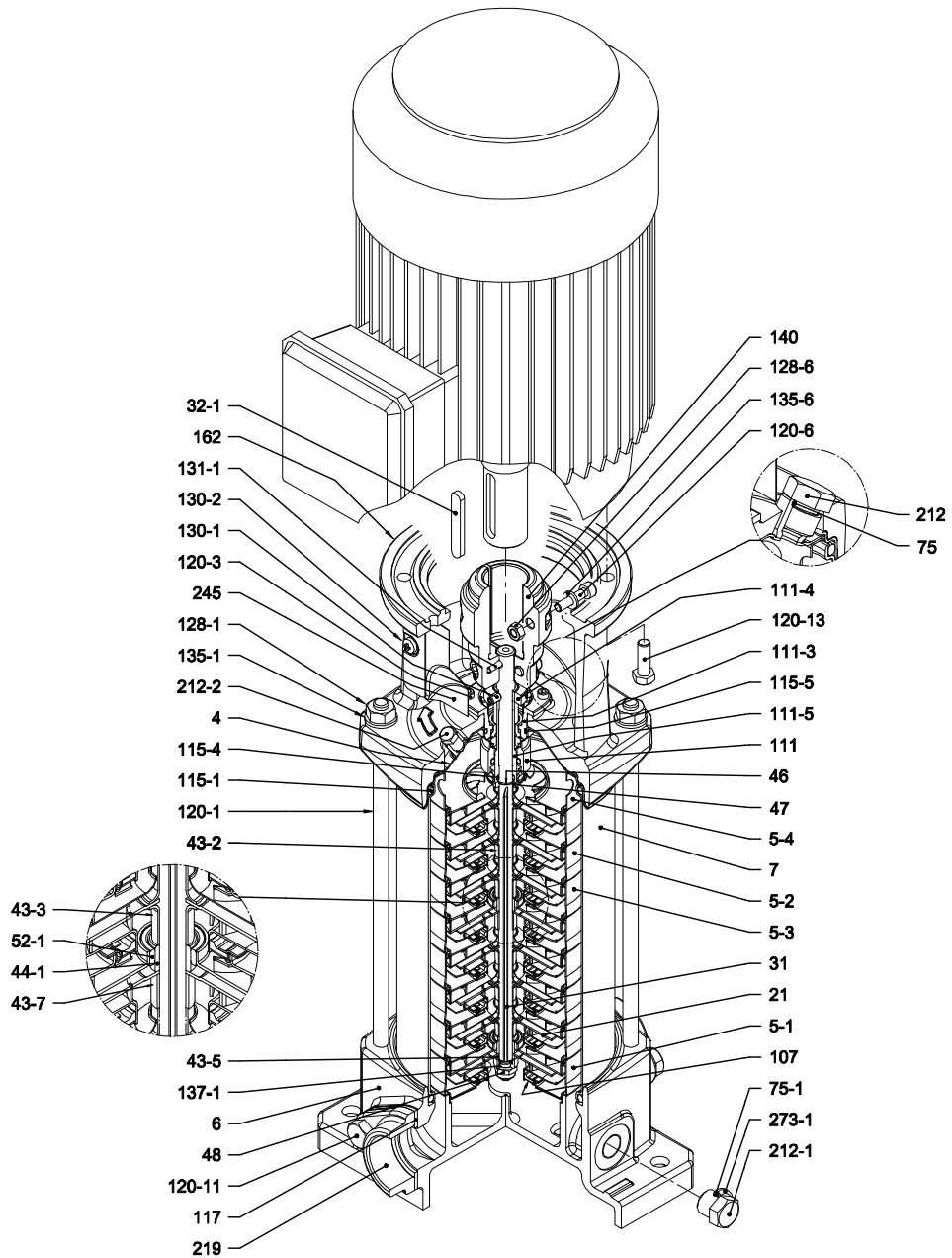
Pump Type	P _{max} [MPa]	kW	Size	Motor						Oval flange (N)				Round flange (F)				
				A		1 ~		3 ~		H2	Weight		H2	Weight				
				B	C	H3	B	C	H3		Pump	Pump + Motor		Pump	Pump + Motor			
EVMSG1 2/0.37	1.6	0.37	71	ø105	139	133	216	139	114	216	250	14	21.1	19.8	275	17.4	24.5	23.2
EVMSG1 3/0.37	1.6	0.37	71	ø105	139	133	216	139	114	216	271	14.5	21.6	20.3	296	17.9	25	23.7
EVMSG1 4/0.37	1.6	0.37	71	ø105	139	133	216	139	114	216	292	14.9	22	20.7	317	18.3	25.4	24.1
EVMSG1 5/0.37	1.6	0.37	71	ø105	139	133	216	139	114	216	313	15.4	22.5	21.2	338	18.8	25.9	24.6
EVMSG1 6/0.37	1.6	0.37	71	ø105	139	133	216	139	114	216	334	15.8	22.9	21.6	359	19.2	26.3	25
EVMSG1 7/0.37	1.6	0.37	71	ø105	139	133	216	139	114	216	355	16.2	23.3	22	380	19.6	26.7	25.4
EVMSG1 8/0.37	1.6	0.37	71	ø105	139	133	216	139	114	216	376	16.7	23.8	22.5	401	20.1	27.2	25.9
EVMSG1 9/0.55	1.6	0.55	71	ø105	139	133	216	139	114	216	397	17.1	25.6	23.3	422	20.5	29	26.7
EVMSG1 10/0.55	1.6	0.55	71	ø105	139	133	216	139	114	216	418	17.5	26	23.7	443	20.9	29.4	27.1
EVMSG1 11/0.55	1.6	0.55	71	ø105	139	133	216	139	114	216	439	18	26.5	24.2	464	21.4	29.9	27.6
EVMSG1 12/0.55	1.6	0.55	71	ø105	139	133	216	139	114	216	460	18.7	27.2	24.9	485	22.1	30.6	28.3
EVMSG1 13/0.55	1.6	0.55	71	ø105	139	133	216	139	114	216	481	19.3	27.8	25.5	506	22.7	31.2	28.9
EVMSG1 14/0.75	1.6	0.75	80	ø120	160	151	232	160	139	232	512	20	31.4	29.5	537	23.4	34.8	32.9
EVMSG1 16/0.75	1.6	0.75	80	ø120	160	151	232	160	139	232	554	21	32.4	30.5	579	24.4	35.8	33.9
EVMSG1 18/1.1	1.6	1.1	80	ø120	160	151	232	160	139	232	596	22.1	33.9	33.2	621	25.5	37.3	36.6
EVMSG1 20/1.1	1.6	1.1	80	ø120	160	151	232	160	139	232	638	23.1	34.9	34.2	663	26.5	38.3	37.6
EVMSG1 22/1.1	1.6	1.1	80	ø120	160	151	232	160	139	232	680	24.3	36.1	35.4	705	27.7	39.5	38.8
EVMSG1 24/1.1	1.6	1.1	80	ø120	160	151	232	160	139	232	722	25.3	37.1	36.4	747	28.7	40.5	39.8
EVMSG1 26/1.1	1.6	1.1	80	ø120	160	151	232	160	139	232	764	26.3	38.1	37.4	789	29.7	41.5	40.8
EVMSG1 27/1.5	2.5	1.5	90 S	ø140	172	140	278	180	148	267	-	-	-	-	820	30.1	47.9	42.8
EVMSG1 29/1.5	2.5	1.5	90 S	ø140	172	140	278	180	148	267	-	-	-	-	862	31.1	48.9	43.8
EVMSG1 32/1.5	2.5	1.5	90 S	ø140	172	140	278	180	148	267	-	-	-	-	925	32.4	50.2	45.1
EVMSG1 34/1.5	2.5	1.5	90 S	ø140	172	140	278	180	148	267	-	-	-	-	967	33.3	51.1	46
EVMSG1 37/2.2	2.5	2.2	90 L	ø140	172	140	278	180	148	267	-	-	-	-	1030	34.7	54.2	50.7
EVMSG1 39/2.2	2.5	2.2	90 L	ø140	172	140	278	180	148	267	-	-	-	-	1072	35.7	55.2	51.7

1.6 MPa=16 bar ; 2.5 MPa=25 bar
- not available model

EVMSG1



with Round flange (F)



with Oval flange (N)

EVMSG1

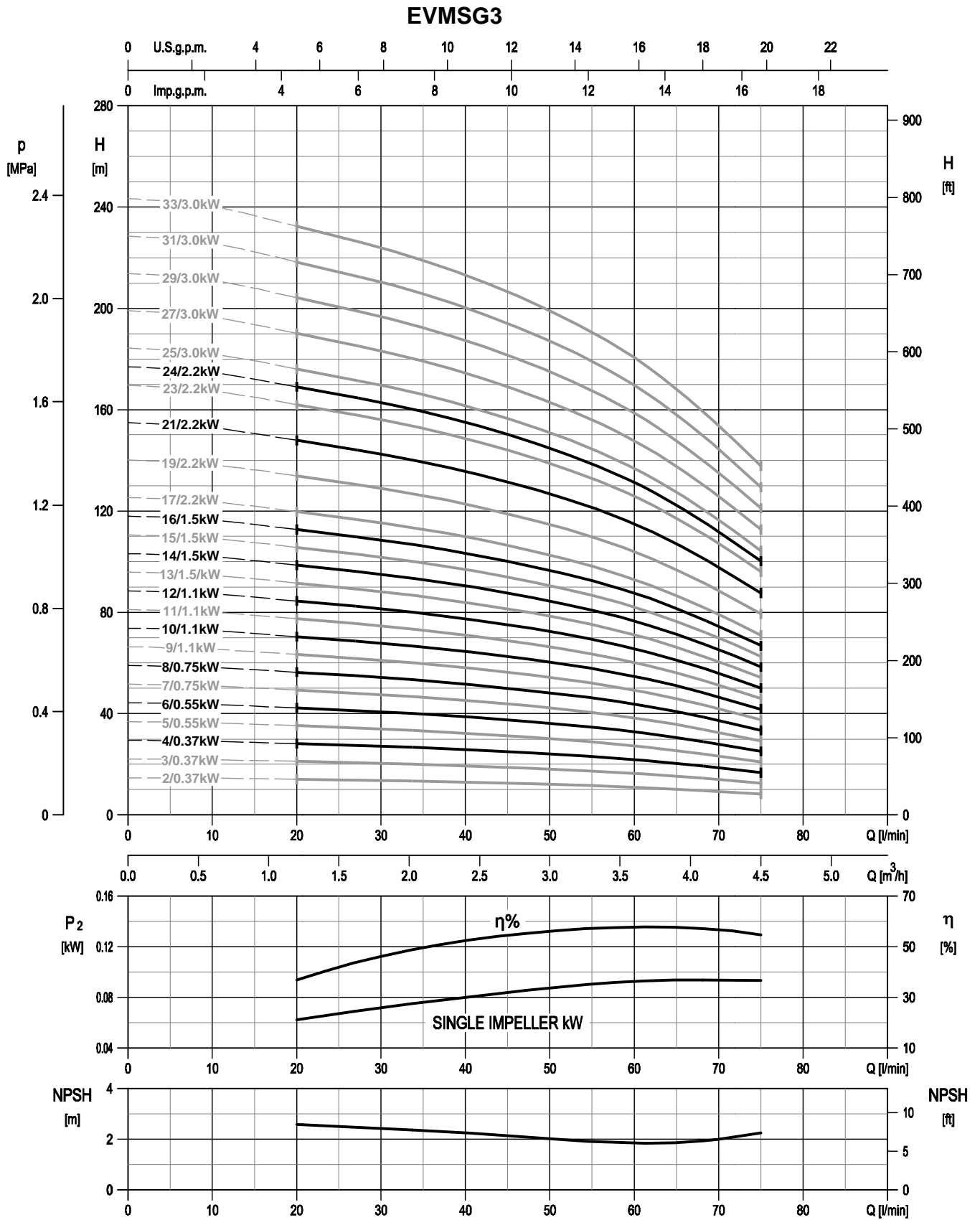
N°	PART NAME	MATERIAL EVMSG	DIMENSIONS	STANDARD
4	Casing cover	EN 1.4301 (AISI 304)		
5-1	Suction casing	EN 1.4301 (AISI 304)		
5-2	Intermediate Casing	EN 1.4301 (AISI 304)		
5-3	Intermediate casing bearing	EN 1.4301 (AISI 304)		
5-4	Discharge casing	EN 1.4301 (AISI 304)		
6	Bottom casing	Cast Iron EN GJL-250-EN1561		
7	Outer casing	EN 1.4301 (AISI 304)		
21	Impeller	EN 1.4301 (AISI 304)		
31	Shaft	EN 1.4301 (AISI 304)		
32-1	Adjuster Key	EN 1.4301 (AISI 304)		
43-2	Shaft sleeve (intermediate)	EN 1.4301 (AISI 304)		
43-3	Shaft sleeve (bearing)	EN 1.4301 (AISI 304)		
43-5	Shaft sleeve (last stage)	EN 1.4301 (AISI 304)		
43-7	Spacer	EN 1.4301 (AISI 304)		
44-1	Shaft sleeve bearing	Tungsten carbide		
46	Ring (mechanical seal)	EN 1.4404 (AISI 316L)		
47	Ring Holder	EN 1.4301 (AISI 304)		
48	Impeller nut	A2-70 UNI 7323 with inox insert	M8	
52-1	Bearing	Tungsten carbide		
75	O-Ring (plug)	EPDM	D. 12.37x2.62	OR 3050
75-1	O-Ring (plug)	EPDM		
107	Liner ring	EN 1.4301 (AISI 304) + PPS		
111	Mechanical Seal	SiC/Carbon/EPDM		
111-3	Mechanical seal seat	EN 1.4301 (AISI 304)		
111-4	Seal holder	EN 1.4301 (AISI 304)		
111-5	Mechanical seal cartridge	EN 1.4301 (AISI 304)		
115-1	O-Ring (outer casing)	EPDM	D. 129.54x5.34	OR 6510
115-4	O-Ring (cartridge sleeve)	EPDM	D. 11.91x2.62	OR 115
115-5	O-Ring (seal cover)	EPDM	D. 32.99x2.62	OR 3131
117	Flange gasket	EPDM		
120-1	Tie-rod	Galvanized steel 6.8 strength class ISO 898/1	M10	
120-3	Screw	A2-70 UNI 7323	M4x10	ISO 4762
120-6	Screw for coupling	Galvanized steel	M6x25	ISO 4762
120-11	Screw for counterflange	A2-70 UNI 7323		
120-13	Screw for motor	MEC 71-80 MEC 90 Galvanized steel 8.8 strength class ISO 898/1	M6x20 M8x20	ISO 4017 ISO 4017
128-1	Nut for tie rod	Galvanized steel	M10	UNI 5588
128-6	Nut for coupling	Galvanized steel	M6	ISO 4032
130-1	Set screw	A2-70 UNI 7323	M5x8	UNI 5923
130-2	Screw for coupling guard	A2-70 UNI 7323	M5x6	UNI 7687
131-1	Pin for shaft	Carbon Steel	D. 4x32	UNI 4838
135-1	Washer	Galvanized steel	D. 10.5x21x2	UNI 6592
135-6	Washer	Carbon Steel	Ø6	
137-1	Impeller spacer	EN 1.4301 (AISI 304)		
140	Coupling	up to 4.0 kW Die cast Aluminium EN AB-AISI11Cu2 (Fe)		
162	Motor bracket	Cast iron EN-GJL-200-EN 1561		
212	Plug	EN 1.4301 (AISI 304)	G 3/8	
212-1	Plug	EN 1.4301 (AISI 304)	G 3/8	
212-2	Venting plug	EN 1.4404 (AISI 316L)		
219	Counter flange	Galvanized steel		
245	Coupling guard	EN 1.4301 (AISI 304)		
273-1	Plug Washer	EN 1.4301 (AISI 304)		

EVMSG1

Pump Type	N°																												
	4	5-1	5-2	5-3	5-4	6	7	21	31	32-1	43-2	43-3	43-5	43-7	44-1	46	47	48	52-1	75	75-1	107	111	111-3	111-4	111-5	115-1	115-4	115-5
EVMSG1 2/0.37	1	1	/	1	1	1	1	2	1	1	/	1	/	/	1	2	1	1	1	1	4	2	1	1	1	1	2	1	1
EVMSG1 3/0.37	1	1	1	1	1	1	1	3	1	1	3	1	/	/	1	2	1	1	1	1	4	3	1	1	1	1	2	1	1
EVMSG1 4/0.37	1	1	2	1	1	1	1	4	1	1	5	1	/	/	1	2	1	1	1	1	4	4	1	1	1	1	2	1	1
EVMSG1 5/0.37	1	1	3	1	1	1	1	5	1	1	7	1	1	/	1	2	1	1	1	1	4	5	1	1	1	1	2	1	1
EVMSG1 6/0.37	1	1	4	1	1	1	1	6	1	1	9	1	/	/	1	2	1	1	1	1	4	6	1	1	1	1	2	1	1
EVMSG1 7/0.37	1	1	5	1	1	1	1	7	1	1	11	1	/	/	1	2	1	1	1	1	4	7	1	1	1	1	2	1	1
EVMSG1 8/0.37	1	1	6	1	1	1	1	8	1	1	13	1	/	/	1	2	1	1	1	1	4	8	1	1	1	1	2	1	1
EVMSG1 9/0.55	1	1	7	1	1	1	1	9	1	1	15	1	1	/	1	2	1	1	1	1	4	9	1	1	1	1	2	1	1
EVMSG1 10/0.55	1	1	8	1	1	1	1	10	1	1	17	1	/	/	1	2	1	1	1	1	4	10	1	1	1	1	2	1	1
EVMSG1 11/0.55	1	1	9	1	1	1	1	11	1	1	19	1	/	/	1	2	1	1	1	1	4	11	1	1	1	1	2	1	1
EVMSG1 12/0.55	1	1	10	1	1	1	1	12	1	1	21	1	/	/	1	2	1	1	1	1	4	12	1	1	1	1	2	1	1
EVMSG1 13/0.55	1	1	10	2	1	1	1	13	1	1	20	2	1	1	2	2	1	1	2	1	4	13	1	1	1	1	2	1	1
EVMSG1 14/0.75	1	1	11	2	1	1	1	14	1	1	22	2	/	1	2	2	1	1	2	1	4	14	1	1	1	1	2	1	1
EVMSG1 16/0.75	1	1	13	2	1	1	1	16	1	1	26	2	/	1	2	2	1	1	2	1	4	16	1	1	1	1	2	1	1
EVMSG1 18/1.1	1	1	15	2	1	1	1	18	1	1	30	2	/	1	2	2	1	1	2	1	4	18	1	1	1	1	2	1	1
EVMSG1 20/1.1	1	1	17	2	1	1	1	20	1	1	34	2	/	1	2	2	1	1	2	1	4	20	1	1	1	1	2	1	1
EVMSG1 22/1.1	1	1	19	2	1	1	1	22	1	1	38	2	/	1	2	2	1	1	2	1	4	22	1	1	1	1	2	1	1
EVMSG1 24/1.1	1	1	21	2	1	1	1	24	1	1	42	2	/	1	2	2	1	1	2	1	4	24	1	1	1	1	2	1	1
EVMSG1 26/1.1	1	1	23	2	1	1	1	26	1	1	46	2	/	1	2	2	1	1	2	1	4	26	1	1	1	1	2	1	1
EVMSG1 27/1.5	1	1	24	2	1	1	1	27	1	1	48	2	/	1	2	2	1	1	2	1	4	27	1	1	1	1	2	1	1
EVMSG1 29/1.5	1	1	26	2	1	1	1	29	1	1	52	2	/	1	2	2	1	1	2	1	4	29	1	1	1	1	2	1	1
EVMSG1 32/1.5	1	1	29	2	1	1	1	32	1	1	58	2	/	1	2	2	1	1	2	1	4	32	1	1	1	1	2	1	1
EVMSG1 34/1.5	1	1	31	2	1	1	1	34	1	1	62	2	/	1	2	2	1	1	2	1	4	34	1	1	1	1	2	1	1
EVMSG1 37/2.2	1	1	34	2	1	1	1	37	1	1	68	2	/	1	2	2	1	1	2	1	4	37	1	1	1	1	2	1	1
EVMSG1 39/2.2	1	1	36	2	1	1	1	39	1	1	72	2	/	1	2	2	1	1	2	1	4	39	1	1	1	1	2	1	1

Pump Type	N°																					
	117*	120-1	120-3	120-6	120-11*	120-13	128-1	128-6	130-1	130-2	131-1	135-1	135-6	137-1	140	162	212	212-1	212-2	219*	245	273-1
EVMSG1 2/0.37	2	4	4	4	4	4	4	4	3	4	1	4	4	1	2	1	1	4	1	2	2	4
EVMSG1 3/0.37	2	4	4	4	4	4	4	4	3	4	1	4	4	1	2	1	1	4	1	2	2	4
EVMSG1 4/0.37	2	4	4	4	4	4	4	4	3	4	1	4	4	1	2	1	1	4	1	2	2	4
EVMSG1 5/0.37	2	4	4	4	4	4	4	4	3	4	1	4	4	1	2	1	1	4	1	2	2	4
EVMSG1 6/0.37	2	4	4	4	4	4	4	4	3	4	1	4	4	1	2	1	1	4	1	2	2	4
EVMSG1 7/0.37	2	4	4	4	4	4	4	4	3	4	1	4	4	1	2	1	1	4	1	2	2	4
EVMSG1 8/0.37	2	4	4	4	4	4	4	4	3	4	1	4	4	1	2	1	1	4	1	2	2	4
EVMSG1 9/0.55	2	4	4	4	4	4	4	4	3	4	1	4	4	1	2	1	1	4	1	2	2	4
EVMSG1 10/0.55	2	4	4	4	4	4	4	4	3	4	1	4	4	1	2	1	1	4	1	2	2	4
EVMSG1 11/0.55	2	4	4	4	4	4	4	4	3	4	1	4	4	1	2	1	1	4	1	2	2	4
EVMSG1 12/0.55	2	4	4	4	4	4	4	4	3	4	1	4	4	1	2	1	1	4	1	2	2	4
EVMSG1 13/0.55	2	4	4	4	4	4	4	4	3	4	1	4	4	1	2	1	1	4	1	2	2	4
EVMSG1 14/0.75	2	4	4	4	4	4	4	4	3	4	1	4	4	1	2	1	1	4	1	2	2	4
EVMSG1 16/0.75	2	4	4	4	4	4	4	4	3	4	1	4	4	1	2	1	1	4	1	2	2	4
EVMSG1 18/1.1	2	4	4	4	4	4	4	4	3	4	1	4	4	1	2	1	1	4	1	2	2	4
EVMSG1 20/1.1	2	4	4	4	4	4	4	4	3	4	1	4	4	1	2	1	1	4	1	2	2	4
EVMSG1 22/1.1	2	4	4	4	4	4	4	4	3	4	1	4	4	1	2	1	1	4	1	2	2	4
EVMSG1 24/1.1	2	4	4	4	4	4	4	4	3	4	1	4	4	1	2	1	1	4	1	2	2	4
EVMSG1 26/1.1	2	4	4	4	4	4	4	4	3	4	1	4	4	1	2	1	1	4	1	2	2	4
EVMSG1 27/1.5	/	4	4	4	/	4	4	4	3	4	1	4	4	1	2	1	1	4	1	/	2	4
EVMSG1 29/1.5	/	4	4	4	/	4	4	4	3	4	1	4	4	1	2	1	1	4	1	/	2	4
EVMSG1 32/1.5	/	4	4	4	/	4	4	4	3	4	1	4	4	1	2	1	1	4	1	/	2	4
EVMSG1 34/1.5	/	4	4	4	/	4	4	4	3	4	1	4	4	1	2	1	1	4	1	/	2	4
EVMSG1 37/2.2	/	4	4	4	/	4	4	4	3	4	1	4	4	1	2	1	1	4	1	/	2	4
EVMSG1 39/2.2	/	4	4	4	/	4	4	4	3	4	1	4	4	1	2	1	1	4	1	/	2	4

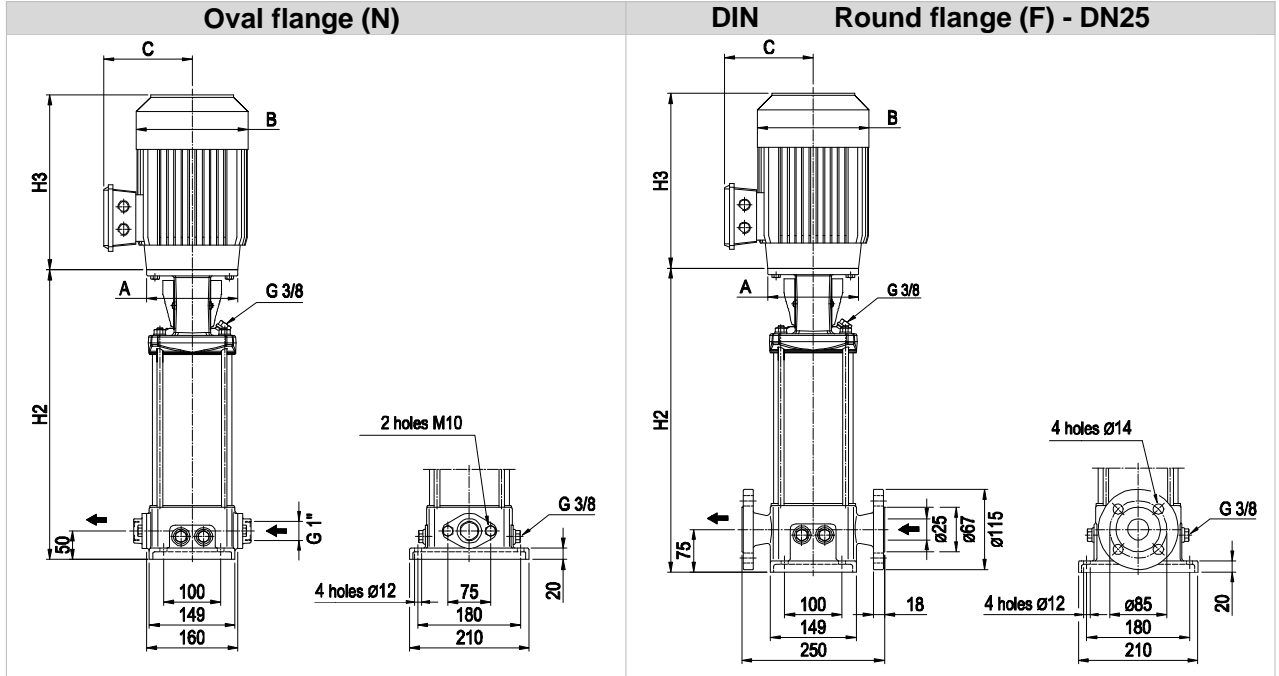
* only for Oval flange (N)



Rotation speed 2900 min⁻¹
 Test standard: ISO 9906:2012 - Grade 3B

EVMSG3

Dimensional sketch



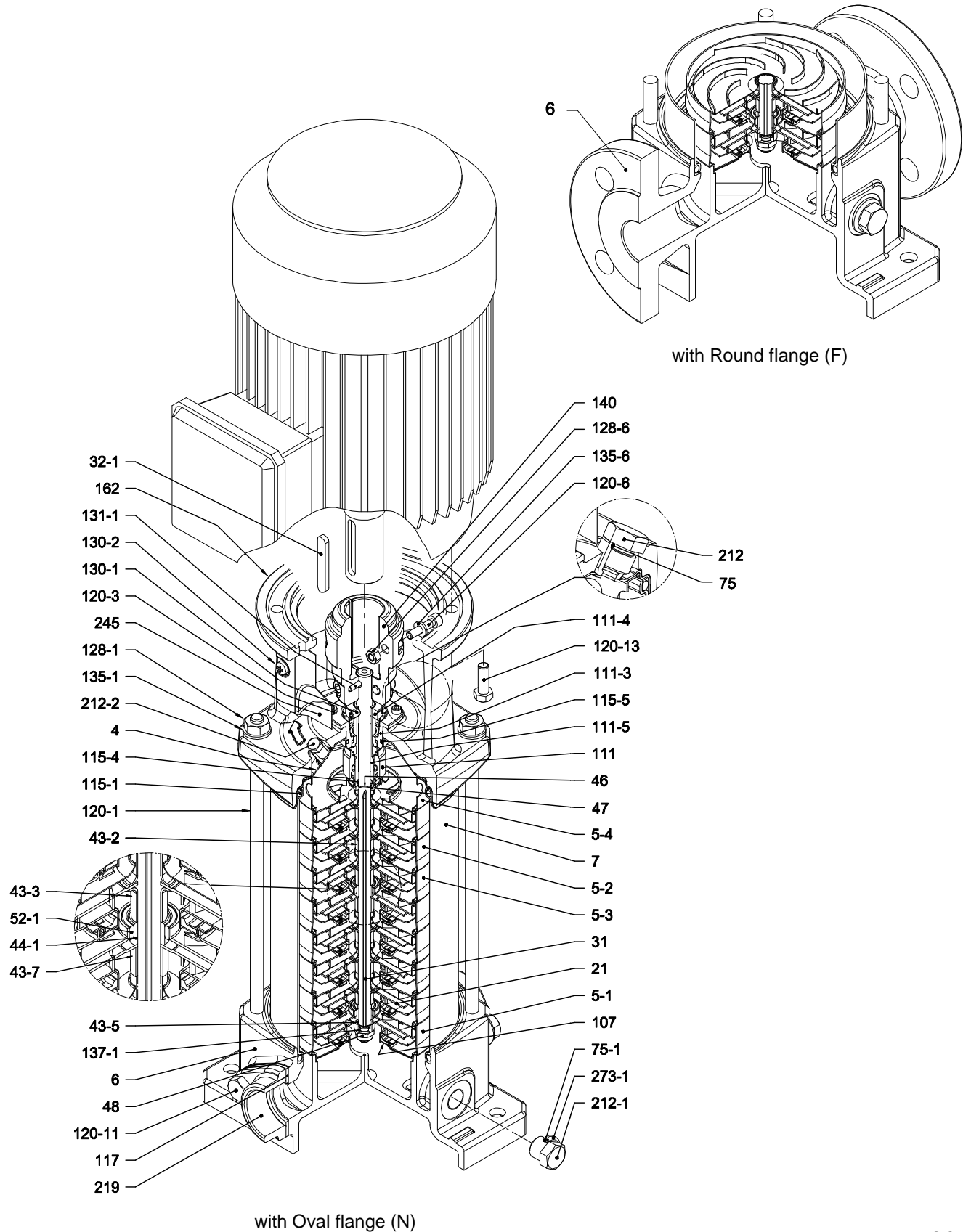
Note: Dimensions H3, C & B may vary depending on motor type fitted. Dimensions refer to Ebara factory motors (European) not generally fitted in Australia. Example only.

Dimensions [mm] and Weights [Kg]

Pump Type	Pmax [MPa]	kW	Motor									Oval flange (N)			Round flange (F)			
			Size	A	1 ~			3 ~			H2	Weight Pump	Weight Pump + Motor		H2	Weight Pump	Weight Pump + Motor	
					B	C	H3	B	C	H3			1 ~	3 ~			1 ~	3 ~
EVMSG3 2/0.37	1.6	0.37	71	ø105	139	133	216	139	114	216	250	12.9	20	18.7	275	15.7	22.8	21.5
EVMSG3 3/0.37	1.6	0.37	71	ø105	139	133	216	139	114	216	271	13.3	20.4	19.1	296	16.1	23.2	21.9
EVMSG3 4/0.37	1.6	0.37	71	ø105	139	133	216	139	114	216	292	13.8	20.9	19.6	317	16.6	23.7	22.4
EVMSG3 5/0.55	1.6	0.55	71	ø105	139	133	216	139	114	216	313	14.2	22.7	20.4	338	17	25.5	23.2
EVMSG3 6/0.55	1.6	0.55	71	ø105	139	133	216	139	114	216	334	14.7	23.2	20.9	359	17.4	25.9	23.6
EVMSG3 7/0.75	1.6	0.75	80	ø120	160	151	232	160	139	232	365	15.6	27	25.1	390	18.3	29.7	27.8
EVMSG3 8/0.75	1.6	0.75	80	ø120	160	151	232	160	139	232	386	16	27.4	25.5	411	18.8	30.2	28.3
EVMSG3 9/1.1	1.6	1.1	80	ø120	160	151	232	160	139	232	407	16.4	28.2	27.5	432	19.2	31	30.3
EVMSG3 10/1.1	1.6	1.1	80	ø120	160	151	232	160	139	232	428	16.9	28.7	28	453	19.7	31.5	30.8
EVMSG3 11/1.1	1.6	1.1	80	ø120	160	151	232	160	139	232	449	17.3	29.1	28.4	474	20.1	31.9	31.2
EVMSG3 12/1.1	1.6	1.1	80	ø120	160	151	232	160	139	232	470	17.8	29.6	28.9	495	20.6	32.4	31.7
EVMSG3 13/1.5	1.6	1.5	90 S	ø140	172	140	278	180	148	267	501	18.5	36.3	32.5	526	21.3	39.1	35.3
EVMSG3 14/1.5	1.6	1.5	90 S	ø140	172	140	278	180	148	267	522	19	36.8	31.7	547	21.7	39.5	34.4
EVMSG3 15/1.5	1.6	1.5	90 S	ø140	172	140	278	180	148	267	543	19.4	37.2	32.1	568	22.2	40	34.9
EVMSG3 16/1.5	1.6	1.5	90 S	ø140	172	140	278	180	148	267	564	20.5	38.3	33.2	589	23.2	41	35.9
EVMSG3 17/2.2	1.6	2.2	90 L	ø140	172	140	278	180	148	267	585	20.9	40.4	36.9	610	23.7	43.2	39.7
EVMSG3 19/2.2	1.6	2.2	90 L	ø140	172	140	278	180	148	267	627	21.9	41.4	37.9	652	24.7	44.2	40.7
EVMSG3 21/2.2	1.6	2.2	90 L	ø140	172	140	278	180	148	267	669	22.8	42.3	38.8	694	25.6	45.1	41.6
EVMSG3 23/2.2	2.5	2.2	90 L	ø140	172	140	278	180	148	267	-	-	-	-	736	26.6	46.1	42.6
EVMSG3 24/2.2	2.5	2.2	90 L	ø140	172	140	278	180	148	267	-	-	-	-	757	27	46.5	43
EVMSG3 25/3.0	2.5	3.0	100 L	ø160	-	-	-	196	155	306	-	-	-	-	788	27.6	-	50.4
EVMSG3 27/3.0	2.5	3.0	100 L	ø160	-	-	-	196	155	306	-	-	-	-	830	28.6	-	51.4
EVMSG3 29/3.0	2.5	3.0	100 L	ø160	-	-	-	196	155	306	-	-	-	-	872	29.6	-	52.4
EVMSG3 31/3.0	2.5	3.0	100 L	ø160	-	-	-	196	155	306	-	-	-	-	914	30.5	-	53.3
EVMSG3 33/3.0	2.5	3.0	100 L	ø160	-	-	-	196	155	306	-	-	-	-	956	31.3	-	54.1

1.6 MPa=16 bar ; 2.5 MPa=25 bar

EVMSG3



EVMSG3

N°	PART NAME	MATERIAL EVMSG	DIMENSIONS	STANDARD
4	Casing cover	EN 1.4301 (AISI 304)		
5-1	Suction casing	EN 1.4301 (AISI 304)		
5-2	Intermediate Casing	EN 1.4301 (AISI 304)		
5-3	Intermediate casing bearing	EN 1.4301 (AISI 304)		
5-4	Discharge casing	EN 1.4301 (AISI 304)		
6	Bottom casing	Cast Iron EN GJL-250-EN1561		
7	Outer casing	EN 1.4301 (AISI 304)		
21	Impeller	EN 1.4301 (AISI 304)		
31	Shaft	EN 1.4301 (AISI 304)		
32-1	Adjuster Key	EN 1.4301 (AISI 304)		
43-2	Shaft sleeve (intermediate)	EN 1.4301 (AISI 304)		
43-3	Shaft sleeve (bearing)	EN 1.4301 (AISI 304)		
43-5	Shaft sleeve (last stage)	EN 1.4301 (AISI 304)		
43-7	Spacer	EN 1.4301 (AISI 304)		
44-1	Shaft sleeve bearing	Tungsten carbide		
46	Ring (mechanical seal)	EN 1.4404 (AISI 316L)		
47	Ring Holder	EN 1.4301 (AISI 304)		
48	Impeller nut	A2-70 UNI 7323 with inox insert	M8	
52-1	Bearing	Tungsten carbide		
75	O-Ring (plug)	EPDM	D. 12.37x2.62	OR 3050
75-1	O-Ring (plug)	EPDM		
107	Liner ring	EN 1.4301 (AISI 304) + PPS		
111	Mechanical Seal	SiC/Carbon/EPDM		
111-3	Mechanical seal seat	EN 1.4301 (AISI 304)		
111-4	Seal holder	EN 1.4301 (AISI 304)		
111-5	Mechanical seal cartridge	EN 1.4301 (AISI 304)		
115-1	O-Ring (outer casing)	EPDM	D. 129.54x5.34	OR 6510
115-4	O-Ring (cartridge sleeve)	EPDM	D. 11.91x2.62	OR 115
115-5	O-Ring (seal cover)	EPDM	D. 32.99x2.62	OR 3131
117	Flange gasket	EPDM		
120-1	Tie-rod	Galvanized steel 6.8 strength class ISO 898/1	M10	
120-3	Screw	A2-70 UNI 7323	M4x10	ISO 4762
120-6	Screw for coupling	Galvanized steel	M6x25	ISO 4762
120-11	Screw for counterflange	A2-70 UNI 7323		
120-13	Screw for motor	Galvanized steel 8.8 strength class ISO 898/1	MEC 71-80 M6x20	ISO 4017
	MEC 90-100		M8x20	ISO 4017
128-1	Nut for tie rod	Galvanized steel	M10	UNI 5588
128-6	Nut for coupling	Galvanized steel	M6	ISO 4032
130-1	Set screw	A2-70 UNI 7323	M5x8	UNI 5923
130-2	Screw for coupling guard	A2-70 UNI 7323	M5x6	UNI 7687
131-1	Pin for shaft	Carbon Steel	D. 4x32	UNI 4838
135-1	Washer	Galvanized steel	D. 10.5x21x2	UNI 6592
135-6	Washer	Carbon Steel	Ø6	
137-1	Impeller spacer	EN 1.4301 (AISI 304)		
140	Coupling	up to 4.0 kW	Die cast Aluminium EN AB-AISI11Cu2 (Fe)	
162	Motor bracket	Cast iron EN-GJL-200-EN 1561		
212	Plug	EN 1.4301 (AISI 304)	G 3/8	
212-1	Plug	EN 1.4301 (AISI 304)	G 3/8	
212-2	Venting plug	EN 1.4404 (AISI 316L)		
219	Counter flange	Galvanized steel		
245	Coupling guard	EN 1.4301 (AISI 304)		
273-1	Plug Washer	EN 1.4301 (AISI 304)		

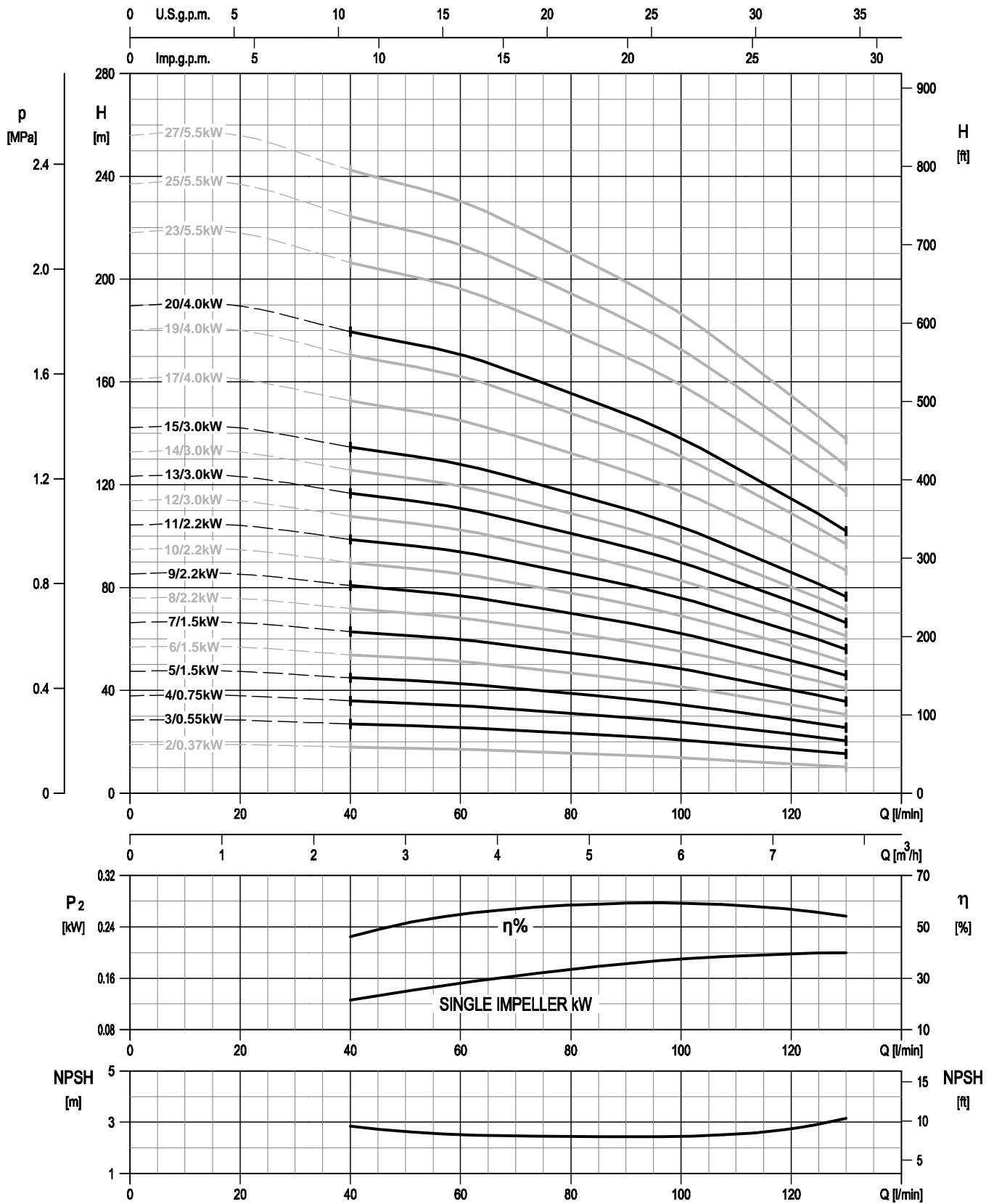
EVMSG3

Pump Type	N°																												
	4	5-1	5-2	5-3	5-4	6	7	21	31	32-1	43-2	43-3	43-5	43-7	44-1	46	47	48	52-1	75	75-1	107	111	111-3	111-4	111-5	115-1	115-4	115-5
EVMSG3 2/0.37	1	1	/	1	1	1	1	2	1	1	/	1	/	/	1	2	1	1	1	1	4	2	1	1	1	1	2	1	1
EVMSG3 3/0.37	1	1	1	1	1	1	1	3	1	1	3	1	/	/	1	2	1	1	1	1	4	3	1	1	1	1	2	1	1
EVMSG3 4/0.37	1	1	2	1	1	1	1	4	1	1	5	1	/	/	1	2	1	1	1	4	4	1	1	1	1	2	1	1	
EVMSG3 5/0.55	1	1	3	1	1	1	1	5	1	1	7	1	1	/	1	2	1	1	1	1	4	5	1	1	1	1	2	1	1
EVMSG3 6/0.55	1	1	4	1	1	1	1	6	1	1	9	1	/	/	1	2	1	1	1	1	4	6	1	1	1	1	2	1	1
EVMSG3 7/0.75	1	1	5	1	1	1	1	7	1	1	11	1	/	/	1	2	1	1	1	1	4	7	1	1	1	1	2	1	1
EVMSG3 8/0.75	1	1	6	1	1	1	1	8	1	1	13	1	/	/	1	2	1	1	1	1	4	8	1	1	1	1	2	1	1
EVMSG3 9/1.1	1	1	7	1	1	1	1	9	1	1	15	1	1	/	1	2	1	1	1	1	4	9	1	1	1	1	2	1	1
EVMSG3 10/1.1	1	1	8	1	1	1	1	10	1	1	17	1	/	/	1	2	1	1	1	1	4	10	1	1	1	1	2	1	1
EVMSG3 11/1.1	1	1	9	1	1	1	1	11	1	1	19	1	/	/	1	2	1	1	1	1	4	11	1	1	1	1	2	1	1
EVMSG3 12/1.1	1	1	10	1	1	1	1	12	1	1	21	1	/	/	1	2	1	1	1	4	12	1	1	1	1	2	1	1	
EVMSG3 13/1.5	1	1	10	2	1	1	1	13	1	1	20	2	1	1	2	2	1	1	2	1	4	13	1	1	1	1	2	1	1
EVMSG3 14/1.5	1	1	11	2	1	1	1	14	1	1	22	2	/	1	2	2	1	1	2	1	4	14	1	1	1	2	1	1	
EVMSG3 15/1.5	1	1	12	2	1	1	1	15	1	1	24	2	/	1	2	2	1	1	2	1	4	15	1	1	1	1	2	1	1
EVMSG3 16/1.5	1	1	13	2	1	1	1	16	1	1	26	2	/	1	2	2	1	1	2	1	4	16	1	1	1	1	2	1	1
EVMSG3 17/2.2	1	1	14	2	1	1	1	17	1	1	28	2	1	1	2	2	1	1	2	1	4	17	1	1	1	1	2	1	1
EVMSG3 19/2.2	1	1	16	2	1	1	1	19	1	1	32	2	/	1	2	2	1	1	2	1	4	19	1	1	1	1	2	1	1
EVMSG3 21/2.2	1	1	18	2	1	1	1	21	1	1	36	2	1	1	2	2	1	1	2	1	4	21	1	1	1	2	1	1	
EVMSG3 23/2.2	1	1	20	2	1	1	1	23	1	1	40	2	/	1	2	2	1	1	2	1	4	23	1	1	1	1	2	1	1
EVMSG3 24/2.2	1	1	21	2	1	1	1	24	1	1	42	2	/	1	2	2	1	1	2	1	4	24	1	1	1	1	2	1	1
EVMSG3 25/3.0	1	1	22	2	1	1	1	25	1	1	44	2	/	1	2	2	1	1	2	1	4	25	1	1	1	1	2	1	1
EVMSG3 27/3.0	1	1	24	2	1	1	1	27	1	1	48	2	/	1	2	2	1	1	2	1	4	27	1	1	1	1	2	1	1
EVMSG3 29/3.0	1	1	26	2	1	1	1	29	1	1	52	2	/	1	2	2	1	1	2	1	4	29	1	1	1	1	2	1	1
EVMSG3 31/3.0	1	1	28	2	1	1	1	31	1	1	56	2	/	1	2	2	1	1	2	1	4	31	1	1	1	1	2	1	1
EVMSG3 33/3.0	1	1	30	2	1	1	1	33	1	1	60	2	/	1	2	2	1	1	2	1	4	33	1	1	1	1	2	1	1

Pump Type	N°																					
	117*	120-1	120-3	120-6	120-11*	120-13	128-1	128-6	130-1	130-2	131-1	135-1	135-6	137-1	140	162	212	212-1	212-2	219*	245	273-1
EVMSG3 2/0.37	2	4	4	4	4	4	4	4	3	4	1	4	4	1	2	1	1	4	1	2	2	4
EVMSG3 3/0.37	2	4	4	4	4	4	4	4	3	4	1	4	4	1	2	1	1	4	1	2	2	4
EVMSG3 4/0.37	2	4	4	4	4	4	4	4	3	4	1	4	4	1	2	1	1	4	1	2	2	4
EVMSG3 5/0.55	2	4	4	4	4	4	4	4	3	4	1	4	4	1	2	1	1	4	1	2	2	4
EVMSG3 6/0.55	2	4	4	4	4	4	4	4	3	4	1	4	4	1	2	1	1	4	1	2	2	4
EVMSG3 7/0.75	2	4	4	4	4	4	4	4	3	4	1	4	4	1	2	1	1	4	1	2	2	4
EVMSG3 8/0.75	2	4	4	4	4	4	4	4	3	4	1	4	4	1	2	1	1	4	1	2	2	4
EVMSG3 9/1.1	2	4	4	4	4	4	4	4	3	4	1	4	4	1	2	1	1	4	1	2	2	4
EVMSG3 10/1.1	2	4	4	4	4	4	4	4	3	4	1	4	4	1	2	1	1	4	1	2	2	4
EVMSG3 11/1.1	2	4	4	4	4	4	4	4	3	4	1	4	4	1	2	1	1	4	1	2	2	4
EVMSG3 12/1.1	2	4	4	4	4	4	4	4	3	4	1	4	4	1	2	1	1	4	1	2	2	4
EVMSG3 13/1.5	2	4	4	4	4	4	4	4	3	4	1	4	4	1	2	1	1	4	1	2	2	4
EVMSG3 14/1.5	2	4	4	4	4	4	4	4	3	4	1	4	4	1	2	1	1	4	1	2	2	4
EVMSG3 15/1.5	2	4	4	4	4	4	4	4	3	4	1	4	4	1	2	1	1	4	1	2	2	4
EVMSG3 16/1.5	2	4	4	4	4	4	4	4	3	4	1	4	4	1	2	1	1	4	1	2	2	4
EVMSG3 17/2.2	2	4	4	4	4	4	4	4	3	4	1	4	4	1	2	1	1	4	1	2	2	4
EVMSG3 19/2.2	2	4	4	4	4	4	4	4	3	4	1	4	4	1	2	1	1	4	1	2	2	4
EVMSG3 21/2.2	2	4	4	4	4	4	4	4	3	4	1	4	4	1	2	1	1	4	1	2	2	4
EVMSG3 23/2.2	/	4	4	4	/	4	4	4	3	4	1	4	4	1	2	1	1	4	1	/	2	4
EVMSG3 24/2.2	/	4	4	4	/	4	4	4	3	4	1	4	4	1	2	1	1	4	1	/	2	4
EVMSG3 25/3.0	/	4	4	4	/	4	4	4	3	4	1	4	4	1	2	1	1	4	1	/	2	4
EVMSG3 27/3.0	/	4	4	4	/	4	4	4	3	4	1	4	4	1	2	1	1	4	1	/	2	4
EVMSG3 29/3.0	/	4	4	4	/	4	4	4	3	4	1	4	4	1	2	1	1	4	1	/	2	4
EVMSG3 31/3.0	/	4	4	4	/	4	4	4	3	4	1	4	4	1	2	1	1	4	1	/	2	4
EVMSG3 33/3.0	/	4	4	4	/	4	4	4	3	4	1	4	4	1	2	1	1	4	1	/	2	4

* only for Oval flange (N)

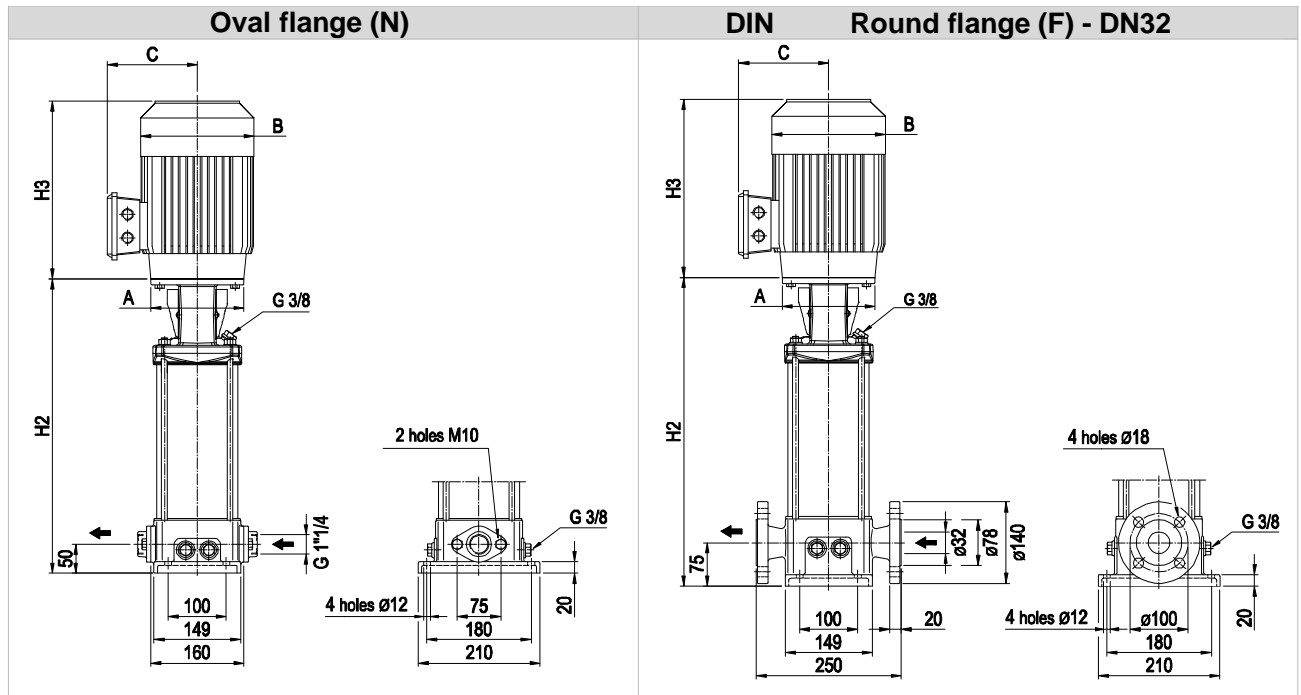
EVMSG5



Rotation speed 2900 min⁻¹
 Test standard: ISO 9906:2012 - Grade 3B

EVMSG5

Dimensional sketch



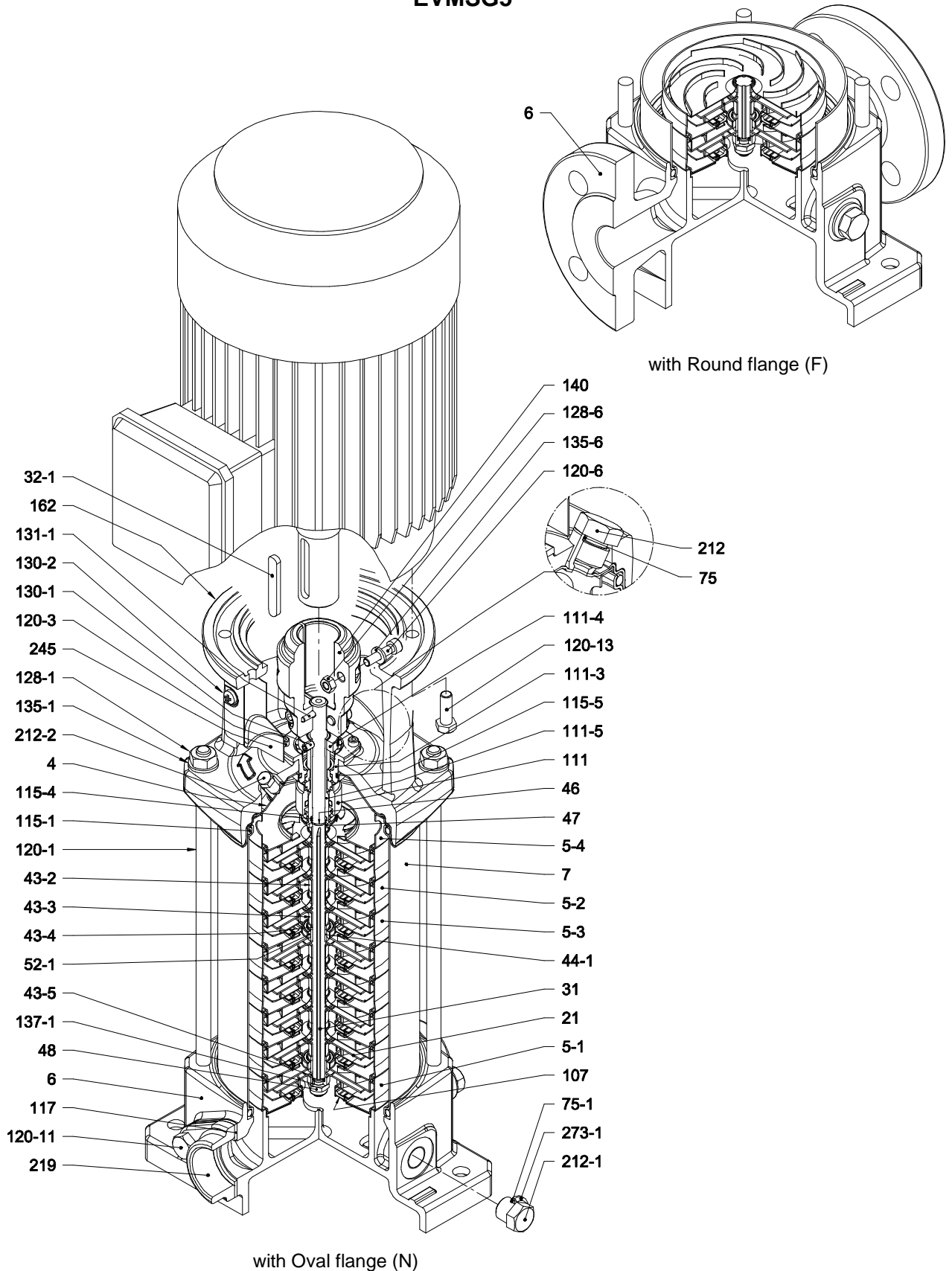
Note: Dimensions H3, C & B may vary depending on motor type fitted. Dimensions refer to Ebara factory motors (European) not generally fitted in Australia. Example only.

Dimensions [mm] and Weights [Kg]

Pump Type	Pmax [MPa]	kW	Size	Motor									Oval flange (N)				Round flange (F)			
				A			1 ~			3 ~			H2	Weight Pump	Weight Pump + Motor		H2	Weight Pump	Weight Pump + Motor	
				B	C	H3	B	C	H3	B	C	H3			1 ~	3 ~			1 ~	3 ~
EVMSG5 2/0.37	1.6	0.37	71	ø105	139	133	216	139	114	216	264	13	20.1	18.8	289	17.5	24.6	23.3		
EVMSG5 3/0.55	1.6	0.55	71	ø105	139	133	216	139	114	216	292	13.5	22	19.7	317	18	26.5	24.2		
EVMSG5 4/0.75	1.6	0.75	80	ø120	160	151	232	160	139	232	330	14.5	25.9	24	355	19	30.4	28.5		
EVMSG5 5/1.1	1.6	1.1	80	ø120	160	151	232	160	139	232	358	15	26.8	26.1	383	19.5	31.3	30.6		
EVMSG5 6/1.5	1.6	1.5	90 S	ø140	172	140	278	180	148	267	396	15.5	33.3	28.2	421	20.1	37.9	32.8		
EVMSG5 7/1.5	1.6	1.5	90 S	ø140	172	140	278	180	148	267	424	16	33.8	29	449	20.5	38.3	33.2		
EVMSG5 8/2.2	1.6	2.2	90 L	ø140	172	140	278	180	148	267	452	16.6	36.1	32.6	477	21.1	40.6	37.1		
EVMSG5 9/2.2	1.6	2.2	90 L	ø140	172	140	278	180	148	267	480	17.1	36.6	33.1	505	21.6	41.1	37.6		
EVMSG5 10/2.2	1.6	2.2	90 L	ø140	172	140	278	180	148	267	508	17.6	37.1	33.6	533	22.1	41.6	38.1		
EVMSG5 11/2.2	1.6	2.2	90 L	ø140	172	140	278	180	148	267	536	18.4	37.9	34.4	561	22.9	42.4	38.9		
EVMSG5 12/3.0	1.6	3.0	100 L	ø160	-	-	-	196	155	306	574	19.6	-	42.4	599	24.1	-	46.9		
EVMSG5 13/3.0	1.6	3.0	100 L	ø160	-	-	-	196	155	306	602	20.2	-	43	627	24.7	-	47.5		
EVMSG5 14/3.0	1.6	3.0	100 L	ø160	-	-	-	196	155	306	630	20.8	-	43.6	655	25.3	-	48.1		
EVMSG5 15/3.0	1.6	3.0	100 L	ø160	-	-	-	196	155	306	658	21.8	-	44.6	683	26.3	-	49.1		
EVMSG5 17/4.0	1.6	4.0	112 M	ø160	-	-	-	196	155	306	714	22.5	-	49	739	27	-	53.5		
EVMSG5 19/4.0	2.5	4.0	112 M	ø160	-	-	-	196	155	306	-	-	-	-	795	28.1	-	54.6		
EVMSG5 20/4.0	2.5	4.0	112 M	ø160	-	-	-	196	155	306	-	-	-	-	823	30.3	-	56.8		
EVMSG5 23/5.5	2.5	5.5	132 S	ø300	-	-	-	225	160	328	-	-	-	-	1001	37	-	75.6		
EVMSG5 25/5.5	2.5	5.5	132 S	ø300	-	-	-	225	160	328	-	-	-	-	1057	38	-	76.6		
EVMSG5 27/5.5	2.5	5.5	132 S	ø300	-	-	-	225	160	328	-	-	-	-	1113	39.6	-	78.2		

1.6 MPa=16 bar ; 2.5 MPa=25 bar
 - not available model

EVMSG5



EVMSG5

N°	PART NAME	MATERIAL EVMSG	DIMENSIONS	STANDARD
4	Casing cover	EN 1.4301 (AISI 304)		
5-1	Suction casing	EN 1.4301 (AISI 304)		
5-2	Intermediate Casing	EN 1.4301 (AISI 304)		
5-3	Intermediate casing bearing	EN 1.4301 (AISI 304)		
5-4	Discharge casing	EN 1.4301 (AISI 304)		
6	Bottom casing	Cast Iron EN GJL-250-EN1561		
7	Outer casing	EN 1.4301 (AISI 304)		
21	Impeller	EN 1.4301 (AISI 304)		
31	Shaft	EN 1.4301 (AISI 304) - EN 1.4462 (AISI 329A)		
32-1	Adjuster Key	EN 1.4301 (AISI 304)		
43-2	Shaft sleeve (intermediate)	EN 1.4301 (AISI 304)		
43-3	Shaft sleeve (bearing)	EN 1.4301 (AISI 304)		
43-4	Shaft sleeve (adjustment)	EN 1.4404 (AISI 316L)		
43-5	Shaft sleeve (last stage)	EN 1.4301 (AISI 304)		
44-1	Shaft sleeve bearing	Tungsten carbide		
46	Ring (mechanical seal)	EN 1.4404 (AISI 316L)		
47	Ring Holder	EN 1.4301 (AISI 304)		
48	Impeller nut	A2-70 UNI 7323 with inox insert	M8	
52-1	Bearing	Tungsten carbide		
75	O-Ring (plug)	EPDM	D. 12.37x2.62	OR 3050
75-1	O-Ring (plug)	EPDM		
107	Liner ring	EN 1.4301 (AISI 304) + PPS		
111	Mechanical Seal	SiC/Carbon/EPDM		
111-3	Mechanical seal seat	EN 1.4301 (AISI 304)		
111-4	Seal holder	EN 1.4301 (AISI 304)		
111-5	Mechanical seal cartridge	EN 1.4301 (AISI 304)		
115-1	O-Ring (outer casing)	EPDM	D. 129.54x5.34	OR 6510
115-4	O-Ring (cartridge sleeve)	EPDM	D. 11.91x2.62	OR 115
115-5	O-Ring (seal cover)	EPDM	D. 32.99x2.62	OR 3131
117	Flange gasket	EPDM		
120-1	Tie-rod	Galvanized steel 6.8 strength class ISO 898/1	M10	
120-3	Screw	A2-70 UNI 7323	M4x10	ISO 4762
120-6	Screw for coupling	Galvanized steel	M6x25	ISO 4762
	up to 4.0 kW above 5.5 kW		M8x20	ISO 4762
120-11	Screw for counterflange	A2-70 UNI 7323		
120-13	Screw for motor	Galvanized steel 8.8 strength class ISO 898/1	M6x20	ISO 4017
	MEC 71-80		M8x20	ISO 4017
	MEC 90-100-112 MEC 132		M12x40	ISO 4017
128-1	Nut for tie rod	Galvanized steel	M10	UNI 5588
128-3	Nut (motor)	Galvanized steel	M12	ISO 4032
128-6	Nut for coupling	Galvanized steel	M6	ISO 4032
130-1	Set screw	A2-70 UNI 7323	M5x8	UNI 5923
130-2	Screw for coupling guard	A2-70 UNI 7323	M5x6	UNI 7687
131-1	Pin for shaft	Carbon Steel	D. 4x32	UNI 4838
135-1	Washer	Galvanized steel	D. 10.5x21x2	UNI 6592
135-6	Washer	Carbon Steel	Ø6	
137-1	Impeller spacer	EN 1.4301 (AISI 304)		
140	Coupling	Die cast aluminium EN AB-AISI11Cu2 (Fe) Cast Iron		
162	Motor bracket	Cast iron EN-GJL-200-EN 1561		
212	Plug	EN 1.4301 (AISI 304)	G 3/8	
212-1	Plug	EN 1.4301 (AISI 304)	G 3/8	
212-2	Venting plug	EN 1.4404 (AISI 316L)		
219	Counter flange	Galvanized steel		
245	Coupling guard	EN 1.4301 (AISI 304)		
273-1	Plug Washer	EN 1.4301 (AISI 304)		

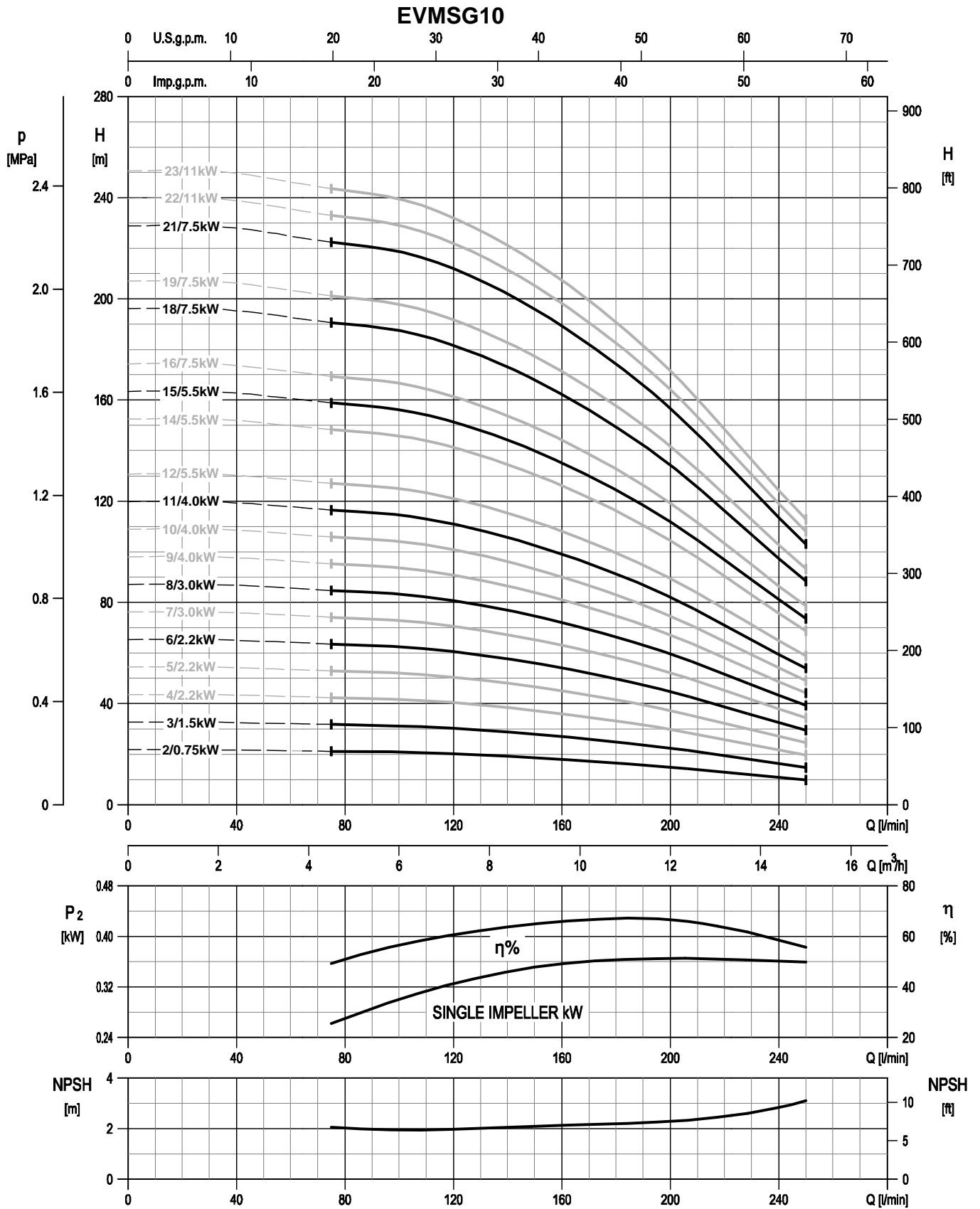
EVMSG5

Pump Type	N°																												
	4	5-1	5-2	5-3	5-4	6	7	21	31***	32-1	43-2	43-3	43-4	43-5	44-1	46	47	48	52-1	75	75-1	107	111	111-3	111-4	111-5	115-1	115-4	115-5
EVMSG5 2/0.37	1	1	/	1	1	1	1	2	1	1	/	1	1	/	1	2	1	1	1	1	4	2	1	1	1	1	2	1	1
EVMSG5 3/0.55	1	1	1	1	1	1	1	3	1	1	3	1	1	1	1	2	1	1	1	1	4	3	1	1	1	1	2	1	1
EVMSG5 4/0.75	1	1	2	1	1	1	1	4	1	1	5	1	1	/	1	2	1	1	1	1	4	4	1	1	1	1	2	1	1
EVMSG5 5/1.1	1	1	3	1	1	1	1	5	1	1	7	1	1	/	1	2	1	1	1	1	4	5	1	1	1	1	2	1	1
EVMSG5 6/1.5	1	1	4	1	1	1	1	6	1	1	9	1	1	1	1	2	1	1	1	1	4	6	1	1	1	1	2	1	1
EVMSG5 7/1.5	1	1	5	1	1	1	1	7	1	1	11	1	1	/	1	2	1	1	1	1	4	7	1	1	1	1	2	1	1
EVMSG5 8/2.2	1	1	6	1	1	1	1	8	1	1	13	1	1	/	1	2	1	1	1	1	4	8	1	1	1	1	2	1	1
EVMSG5 9/2.2	1	1	7	1	1	1	1	9	1	1	15	1	1	1	1	2	1	1	1	1	4	9	1	1	1	1	2	1	1
EVMSG5 10/2.2	1	1	8	1	1	1	1	10	1	1	17	1	1	/	1	2	1	1	1	1	4	10	1	1	1	1	2	1	1
EVMSG5 11/2.2	1	1	8	2	1	1	1	11	1	1	17	2	2	/	2	2	1	1	2	1	4	11	1	1	1	1	2	1	1
EVMSG5 12/3.0	1	1	9	2	1	1	1	12	1	1	19	2	2	/	2	2	1	1	2	1	4	12	1	1	1	1	2	1	1
EVMSG5 13/3.0	1	1	10	2	1	1	1	13	1	1	21	2	2	/	2	2	1	1	2	1	4	13	1	1	1	1	2	1	1
EVMSG5 14/3.0	1	1	11	2	1	1	1	14	1	1	23	2	2	/	2	2	1	1	2	1	4	14	1	1	1	1	2	1	1
EVMSG5 15/3.0	1	1	12	2	1	1	1	15	1	1	25	2	2	1	2	2	1	1	2	1	4	15	1	1	1	1	2	1	1
EVMSG5 17/4.0	1	1	14	2	1	1	1	17	1	1	29	2	2	/	2	2	1	1	2	1	4	17	1	1	1	1	2	1	1
EVMSG5 19/4.0	1	1	16	2	1	1	1	19	1	1	33	2	2	/	2	2	1	1	2	1	4	19	1	1	1	1	2	1	1
EVMSG5 20/4.0	1	1	17	2	1	1	1	20	1	1	35	2	2	/	2	2	1	1	2	1	4	20	1	1	1	1	2	1	1
EVMSG5 23/5.5	1	1	20	2	1	1	1	23	1	1	41	2	2	/	2	2	1	1	2	1	4	23	1	1	1	1	2	1	1
EVMSG5 25/5.5	1	1	22	2	1	1	1	25	1	1	45	2	2	/	2	2	1	1	2	1	4	25	1	1	1	1	2	1	1
EVMSG5 27/5.5	1	1	23	3	1	1	1	27	1	1	47	3	2	/	3	2	1	1	3	1	4	27	1	1	1	1	2	1	1

Pump Type	N°																						
	117*	120-1	120-3	120-6	120-11*	120-13	128-1	128-3	128-6	130-1	130-2	131-1	135-1	135-6	137-1	140	162	212	212-1	212-2	219*	245	273-1
EVMSG5 2/0.37	2	4	4	4	4	4	4	4	4	3	4	1	4	4	1	2	1	1	4	1	2	2	4
EVMSG5 3/0.55	2	4	4	4	4	4	4	4	4	3	4	1	4	4	1	2	1	1	4	1	2	2	4
EVMSG5 4/0.75	2	4	4	4	4	4	4	4	4	3	4	1	4	4	1	2	1	1	4	1	2	2	4
EVMSG5 5/1.1	2	4	4	4	4	4	4	4	4	3	4	1	4	4	1	2	1	1	4	1	2	2	4
EVMSG5 6/1.5	2	4	4	4	4	4	4	4	4	3	4	1	4	4	1	2	1	1	4	1	2	2	4
EVMSG5 7/1.5	2	4	4	4	4	4	4	4	4	3	4	1	4	4	1	2	1	1	4	1	2	2	4
EVMSG5 8/2.2	2	4	4	4	4	4	4	4	4	3	4	1	4	4	1	2	1	1	4	1	2	2	4
EVMSG5 9/2.2	2	4	4	4	4	4	4	4	4	3	4	1	4	4	1	2	1	1	4	1	2	2	4
EVMSG5 10/2.2	2	4	4	4	4	4	4	4	4	3	4	1	4	4	1	2	1	1	4	1	2	2	4
EVMSG5 11/2.2	2	4	4	4	4	4	4	4	4	3	4	1	4	4	1	2	1	1	4	1	2	2	4
EVMSG5 12/3.0	2	4	4	4	4	4	4	4	4	3	4	1	4	4	1	2	1	1	4	1	2	2	4
EVMSG5 13/3.0	2	4	4	4	4	4	4	4	4	3	4	1	4	4	1	2	1	1	4	1	2	2	4
EVMSG5 14/3.0	2	4	4	4	4	4	4	4	4	3	4	1	4	4	1	2	1	1	4	1	2	2	4
EVMSG5 15/3.0	2	4	4	4	4	4	4	4	4	3	4	1	4	4	1	2	1	1	4	1	2	2	4
EVMSG5 17/4.0	2	4	4	4	4	4	4	4	4	3	4	1	4	4	1	2	1	1	4	1	2	2	4
EVMSG5 19/4.0	/	4	4	4	/	4	4	/	4	3	4	1	4	4	1	2	1	1	4	1	/	2	4
EVMSG5 20/4.0	/	4	4	4	/	4	4	/	4	3	4	1	4	4	1	2	1	1	4	1	/	2	4
EVMSG5 23/5.5	/	4	4	4	/	4	4	4	/	3	4	1	4	/	1	2	1	1	4	1	/	2	4
EVMSG5 25/5.5	/	4	4	4	/	4	4	4	/	3	4	1	4	/	1	2	1	1	4	1	/	2	4
EVMSG5 27/5.5	/	4	4	4	/	4	4	4	/	3	4	1	4	/	1	2	1	1	4	1	/	2	4

* only for Oval flange (N)

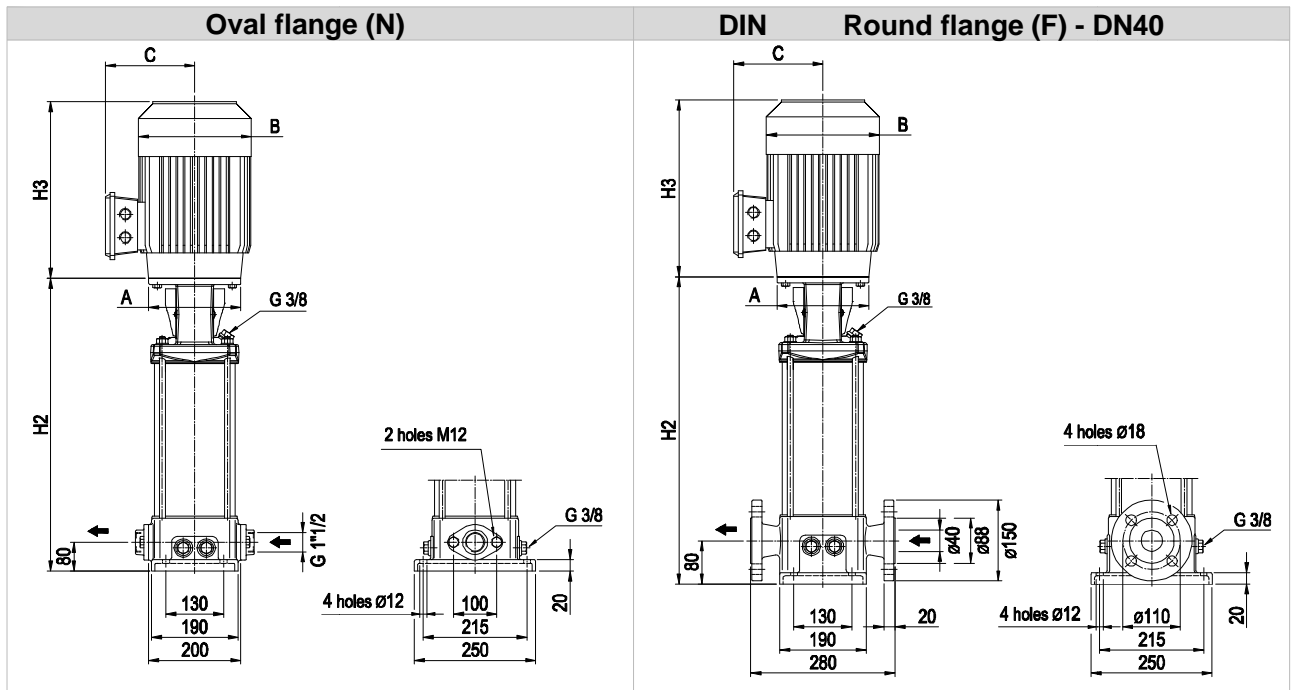
*** shaft in EN 1.4462 (AISI 329A)



Rotation speed 2900 min⁻¹
 Test standard: ISO 9906:2012 - Grade 3B

EVMSG10

Dimensional sketch



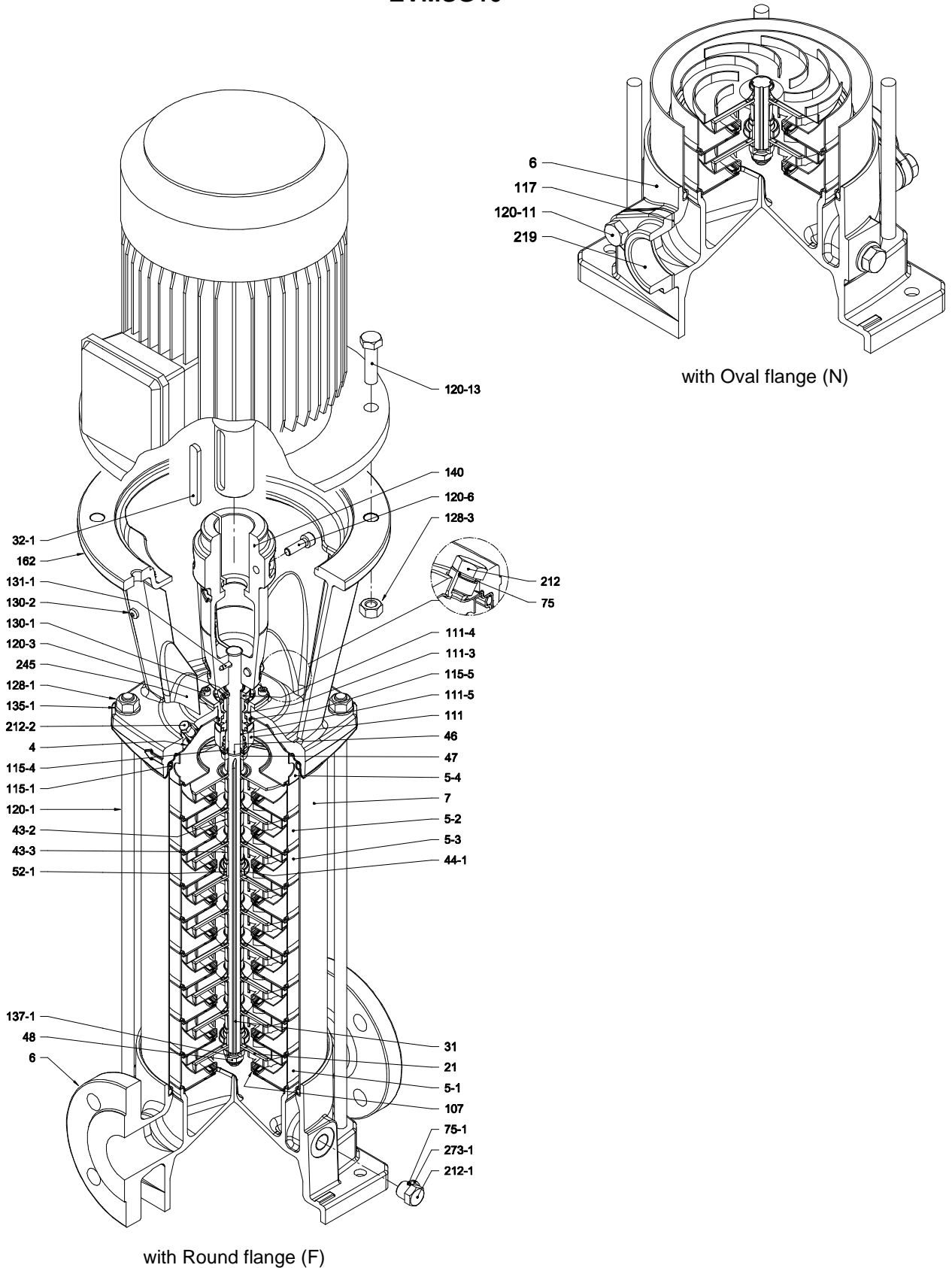
Note: Dimensions H3, C & B may vary depending on motor type fitted. Dimensions refer to Ebara factory motors (European) not generally fitted in Australia. Example only.

Dimensions [mm] and Weights [Kg]

Pump Type	Pmax [MPa]	kW	Size	Motor									Oval flange (N)				Round flange (F)			
				A	1 ~			3 ~			H2	Weight Pump	Weight Pump + Motor		H2	Weight Pump	Weight Pump + Motor			
					B	C	H3	B	C	H3			1 ~	3 ~			1 ~	3 ~		
EVMSG10 2/0.75	1.6	0.75	80	ø120	160	151	232	160	139	232	343	21.6	33	31.1	343	24.3	35.7	33.8		
EVMSG10 3/1.5	1.6	1.5	90 S	ø140	172	140	278	180	148	267	383	22.5	40.3	35.2	383	25.3	43.1	38		
EVMSG10 4/2.2	1.6	2.2	90 L	ø140	172	140	278	180	148	267	413	23.3	42.8	39.3	413	26	45.5	42		
EVMSG10 5/2.2	1.6	2.2	90 L	ø140	172	140	278	180	148	267	443	24.2	43.7	40.2	443	26.9	46.4	42.9		
EVMSG10 6/2.2	1.6	2.2	90 L	ø140	172	140	278	180	148	267	473	25	44.5	41	473	27.7	47.2	43.7		
EVMSG10 7/3.0	1.6	3.0	100 L	ø160	-	-	-	196	155	306	513	26	-	48.8	513	28.7	-	51.5		
EVMSG10 8/3.0	1.6	3.0	100 L	ø160	-	-	-	196	155	306	543	26.8	-	49.6	543	29.5	-	52.3		
EVMSG10 9/4.0	1.6	4.0	112 M	ø160	-	-	-	196	155	306	573	27.7	-	54.2	573	30.4	-	56.9		
EVMSG10 10/4.0	1.6	4.0	112 M	ø160	-	-	-	196	155	306	603	28.5	-	55	603	31.2	-	57.7		
EVMSG10 11/4.0	1.6	4.0	112 M	ø160	-	-	-	196	155	306	633	30.1	-	56.6	633	32.9	-	59.4		
EVMSG10 12/5.5	1.6	5.5	132 S	ø300	-	-	-	225	160	328	761	39.9	-	78.5	761	42.7	-	81.3		
EVMSG10 14/5.5	1.6	5.5	132 S	ø300	-	-	-	225	160	328	821	41.8	-	80.4	821	44.5	-	83.1		
EVMSG10 15/5.5	1.6	5.5	132 S	ø300	-	-	-	225	160	328	851	42.7	-	81.3	851	45.4	-	84		
EVMSG10 16/7.5	2.5	7.5	132 S	ø300	-	-	-	225	160	350	-	-	-	-	881	46.3	-	86.7		
EVMSG10 18/7.5	2.5	7.5	132 S	ø300	-	-	-	225	160	350	-	-	-	-	941	47.7	-	88.1		
EVMSG10 19/7.5	2.5	7.5	132 S	ø300	-	-	-	225	160	350	-	-	-	-	971	49.1	-	89.5		
EVMSG10 21/7.5	2.5	7.5	132 S	ø300	-	-	-	225	160	350	-	-	-	-	1031	50.9	-	91.3		
EVMSG10 22/11	2.5	11	160 M	ø350	-	-	-	248	194	476	-	-	-	-	1091	53.2	-	115.7		
EVMSG10 23/11	2.5	11	160 M	ø350	-	-	-	248	194	476	-	-	-	-	1121	59.9	-	122.4		

1.6 MPa=16 bar ; 2.5 MPa=25 bar
 - not available model

EVMSG10



SECTIONAL TABLE

50 Hz

EVMSG10

N°	PART NAME	MATERIAL EVMSG	DIMENSIONS	STANDARD	
4	Casing cover	EN 1.4301 (AISI 304)			
5-1	Suction casing	EN 1.4301 (AISI 304)			
5-2	Intermediate Casing	EN 1.4301 (AISI 304)			
5-3	Intermediate casing bearing	EN 1.4301 (AISI 304)			
5-4	Discharge casing	EN 1.4301 (AISI 304)			
6	Bottom casing	Cast Iron EN GJL-250-EN1561			
7	Outer casing	EN 1.4301 (AISI 304)			
21	Impeller	EN 1.4301 (AISI 304)			
31	Shaft	EN 1.4301 (AISI 304)			
32-1	Adjuster Key	EN 1.4301 (AISI 304)			
43-2	Shaft sleeve (intermediate)	EN 1.4301 (AISI 304)			
43-3	Shaft sleeve (bearing)	EN 1.4301 (AISI 304)			
44-1	Shaft sleeve bearing	Tungsten carbide			
46	Ring (mechanical seal)	EN 1.4404 (AISI 316L)			
47	Ring Holder	EN 1.4301 (AISI 304)			
48	Impeller nut	A2-70 UNI 7323 with inox insert	M10		
52-1	Bearing	Tungsten carbide			
75	O-Ring (plug)	EPDM	D. 12.37x2.62	OR 3050	
75-1	O-Ring (plug)	EPDM			
107	Liner ring	EN 1.4301 (AISI 304) + PPS			
111	Mechanical Seal	SiC/Carbon/EPDM			
111-3	Mechanical seal seat	EN 1.4301 (AISI 304)			
111-4	Seal holder	EN 1.4301 (AISI 304)			
111-5	Mechanical seal cartridge	EN 1.4301 (AISI 304)			
115-1	O-Ring (outer casing)	EPDM	D. 164,46x5,34	OR 6645	
115-4	O-Ring (cartridge sleeve)	EPDM	D. 15.88x2.62	OR 121	
115-5	O-Ring (seal cover)	EPDM	D. 37.77x2.62	OR 3150	
117	Flange gasket	EPDM			
120-1	Tie-rod	Galvanized steel 6.8 strength class ISO 898/1	M12		
120-3	Screw	A2-70 UNI 7323	M5x12	ISO 4762	
120-6	Screw for coupling	Galvanized steel	up to 4.0 kW	M6x25	ISO 4762
			from 5.5 kW to 7.5 kW	M8x20	ISO 4762
			above 11 kW	M10x30	ISO 4762
120-11	Screw for counterflange	A2-70 UNI 7323			
120-13	Screw for motor	Galvanized steel 8.8 strength class ISO 898/1	MEC 80	M6x20	ISO 4017
			MEC 90-100-112	M8x20	ISO 4017
			MEC 132	M12x40	UNI 5739
			MEC 160	M16x50	ISO 4017
128-1	Nut for tie rod	Galvanized steel	M12	UNI 5588	
128-3	Nut (motor)	Galvanized steel	MEC 132	M12	UNI 5588
			MEC 160	M16	ISO 4032
130-1	Set screw	A2-70 UNI 7323	M5x8	UNI 5923	
130-2	Screw for coupling guard	A2-70 UNI 7323	M5x6	UNI 7687	
131-1	Pin for shaft	Carbon Steel	D. 5x35	UNI 4838	
135-1	Washer	Galvanized steel	D. 13x24x2,5	UNI 6592	
137-1	Impeller spacer	EN 1.4301 (AISI 304)			
140	Coupling	Die cast Aluminium EN AB-AISI11Cu2 (Fe)			
		Cast Iron			
162	Motor bracket	Cast iron EN-GJL-200-EN 1561			
212	Plug	EN 1.4301 (AISI 304)	G 3/8		
212-1	Plug	EN 1.4301 (AISI 304)	G 3/8		
212-2	Venting plug	EN 1.4404 (AISI 316L)			
219	Counter flange	Galvanized steel			
245	Coupling guard	EN 1.4301 (AISI 304)			
273-1	Plug Washer	EN 1.4301 (AISI 304)			

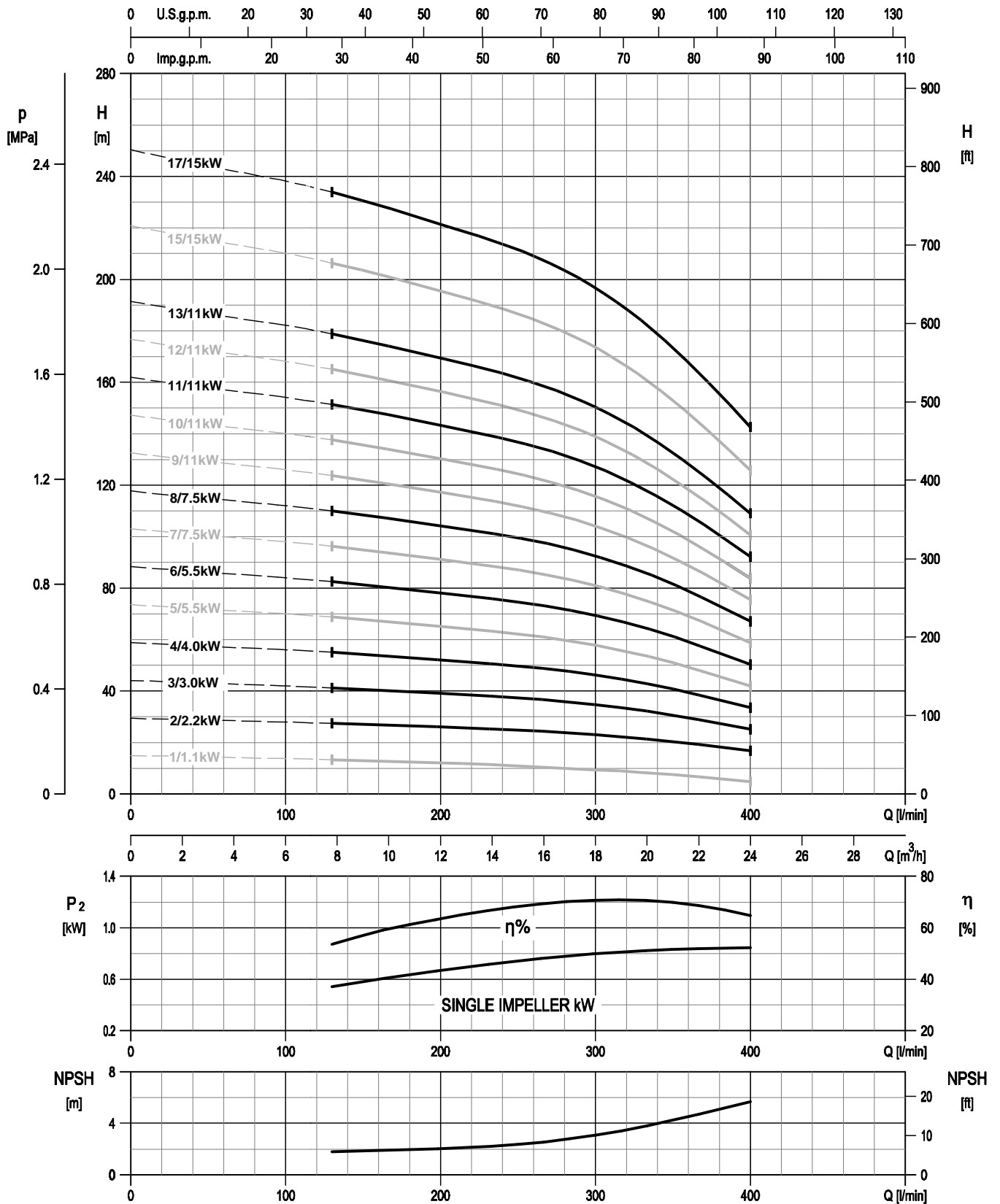
EVMSG10

Pump Type	N°																										
	4	5-1	5-2	5-3	5-4	6	7	21	31	32-1	43-2	43-3	44-1	46	47	48	52-1	75	75-1	107	111	111-3	111-4	111-5	115-1	115-4	115-5
EVMSG10 2/0.75	1	1	/	1	1	1	1	2	1	1	/	1	1	2	1	1	1	1	4	2	1	1	1	1	2	1	1
EVMSG10 3/1.5	1	1	1	1	1	1	1	3	1	1	3	1	1	2	1	1	1	1	4	3	1	1	1	1	2	1	1
EVMSG10 4/2.2	1	1	2	1	1	1	1	4	1	1	5	1	1	2	1	1	1	1	4	4	1	1	1	1	2	1	1
EVMSG10 5/2.2	1	1	3	1	1	1	1	5	1	1	7	1	1	2	1	1	1	1	4	5	1	1	1	1	2	1	1
EVMSG10 6/2.2	1	1	4	1	1	1	1	6	1	1	9	1	1	2	1	1	1	1	4	6	1	1	1	1	2	1	1
EVMSG10 7/3.0	1	1	5	1	1	1	1	7	1	1	11	1	1	2	1	1	1	1	4	7	1	1	1	1	2	1	1
EVMSG10 8/3.0	1	1	6	1	1	1	1	8	1	1	13	1	1	2	1	1	1	1	4	8	1	1	1	1	2	1	1
EVMSG10 9/4.0	1	1	7	1	1	1	1	9	1	1	15	1	1	2	1	1	1	1	4	9	1	1	1	1	2	1	1
EVMSG10 10/4.0	1	1	8	1	1	1	1	10	1	1	17	1	1	2	1	1	1	1	4	10	1	1	1	1	2	1	1
EVMSG10 11/4.0	1	1	9	1	1	1	1	11	1	1	19	1	1	2	1	1	1	1	4	11	1	1	1	1	2	1	1
EVMSG10 12/5.5	1	1	9	2	1	1	1	12	1	1	19	2	2	2	1	1	2	1	4	12	1	1	1	1	2	1	1
EVMSG10 14/5.5	1	1	11	2	1	1	1	14	1	1	23	2	2	2	1	1	2	1	4	14	1	1	1	1	2	1	1
EVMSG10 15/5.5	1	1	12	2	1	1	1	15	1	1	25	2	2	2	1	1	2	1	4	15	1	1	1	1	2	1	1
EVMSG10 16/7.5	1	1	13	2	1	1	1	16	1	1	27	2	2	2	1	1	2	1	4	16	1	1	1	1	2	1	1
EVMSG10 18/7.5	1	1	15	2	1	1	1	18	1	1	31	2	2	2	1	1	2	1	4	18	1	1	1	1	2	1	1
EVMSG10 19/7.5	1	1	16	2	1	1	1	19	1	1	33	2	2	2	1	1	2	1	4	19	1	1	1	1	2	1	1
EVMSG10 21/7.5	1	1	18	2	1	1	1	21	1	1	37	2	2	2	1	1	2	1	4	21	1	1	1	1	2	1	1
EVMSG10 22/11	1	1	19	2	1	1	1	22	1	1	39	2	2	2	1	1	2	1	4	22	1	1	1	1	2	1	1
EVMSG10 23/11	1	1	19	3	1	1	1	23	1	1	39	3	3	2	1	1	3	1	4	23	1	1	1	1	2	1	1

Pump Type	N°																								
	117*	120-1	120-3	120-6	120-11*	120-13	128-1	128-3	128-6	130-1	130-2	131-1	135-1	135-6	137-1	140	162	212	212-1	212-2	219*	245	273-1		
EVMSG10 2/0.75	2	4	4	4	4	4	4	/	4	3	4	1	4	4	1	2	1	1	4	1	2	2	4		
EVMSG10 3/1.5	2	4	4	4	4	4	4	/	4	3	4	1	4	4	1	2	1	1	4	1	2	2	4		
EVMSG10 4/2.2	2	4	4	4	4	4	4	/	4	3	4	1	4	4	1	2	1	1	4	1	2	2	4		
EVMSG10 5/2.2	2	4	4	4	4	4	4	/	4	3	4	1	4	4	1	2	1	1	4	1	2	2	4		
EVMSG10 6/2.2	2	4	4	4	4	4	4	/	4	3	4	1	4	4	1	2	1	1	4	1	2	2	4		
EVMSG10 7/3.0	2	4	4	4	4	4	4	/	4	3	4	1	4	4	1	2	1	1	4	1	2	2	4		
EVMSG10 8/3.0	2	4	4	4	4	4	4	/	4	3	4	1	4	4	1	2	1	1	4	1	2	2	4		
EVMSG10 9/4.0	2	4	4	4	4	4	4	/	4	3	4	1	4	4	1	2	1	1	4	1	2	2	4		
EVMSG10 10/4.0	2	4	4	4	4	4	4	/	4	3	4	1	4	4	1	2	1	1	4	1	2	2	4		
EVMSG10 11/4.0	2	4	4	4	4	4	4	/	4	3	4	1	4	4	1	2	1	1	4	1	2	2	4		
EVMSG10 12/5.5	2	4	4	4	4	4	4	/	4	3	4	1	4	4	1	2	1	1	4	1	2	2	4		
EVMSG10 14/5.5	2	4	4	4	4	4	4	/	4	3	4	1	4	4	1	2	1	1	4	1	2	2	4		
EVMSG10 15/5.5	2	4	4	4	4	4	4	/	4	3	4	1	4	4	1	2	1	1	4	1	2	2	4		
EVMSG10 16/7.5	/	4	4	4	/	4	4	4	/	3	4	1	4	/	1	2	1	1	4	1	/	2	4		
EVMSG10 18/7.5	/	4	4	4	/	4	4	4	/	3	4	1	4	/	1	2	1	1	4	1	/	2	4		
EVMSG10 19/7.5	/	4	4	4	/	4	4	4	/	3	4	1	4	/	1	2	1	1	4	1	/	2	4		
EVMSG10 21/7.5	/	4	4	4	/	4	4	4	/	3	4	1	4	/	1	2	1	1	4	1	/	2	4		
EVMSG10 22/11	/	4	4	4	/	4	4	4	/	3	4	1	4	/	1	2	1	1	4	1	/	2	4		
EVMSG10 23/11	/	4	4	4	/	4	4	4	/	3	4	1	4	/	1	2	1	1	4	1	/	2	4		

* only for Oval flange (N)

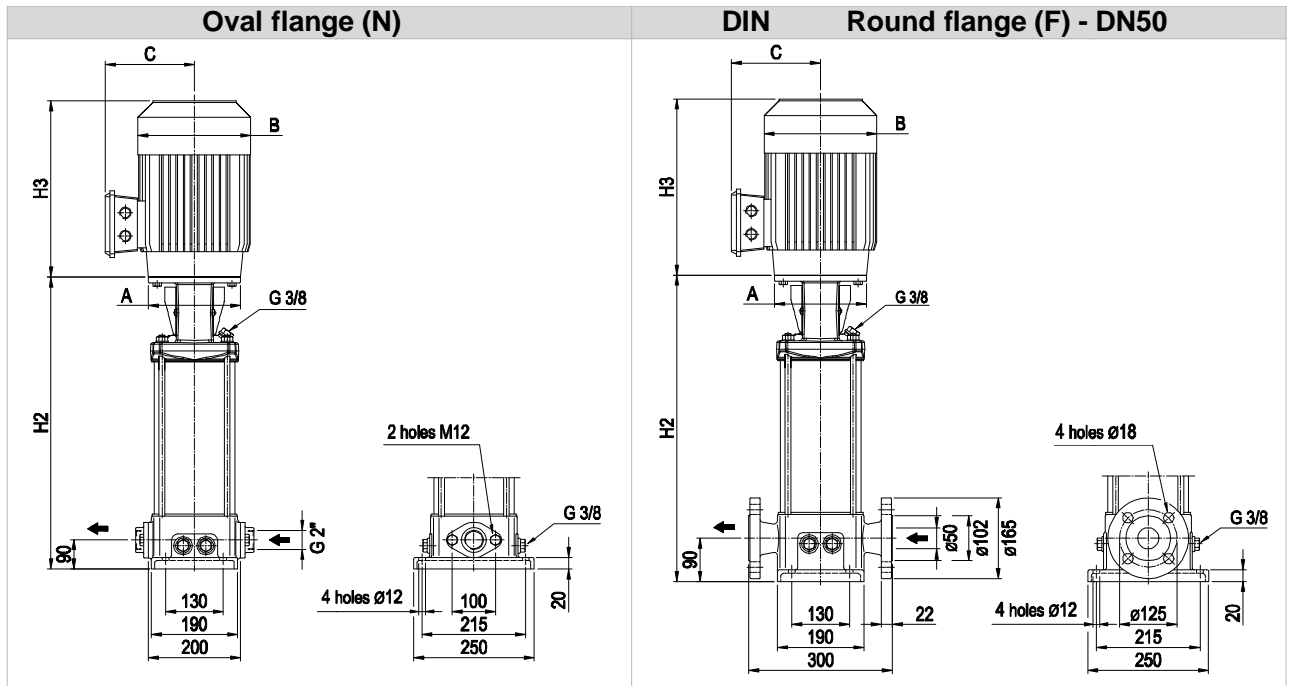
EVMSG15



Rotation speed 2900 min⁻¹
 Test standard: ISO 9906:2012 - Grade 3B

EVMSG15

Dimensional sketch



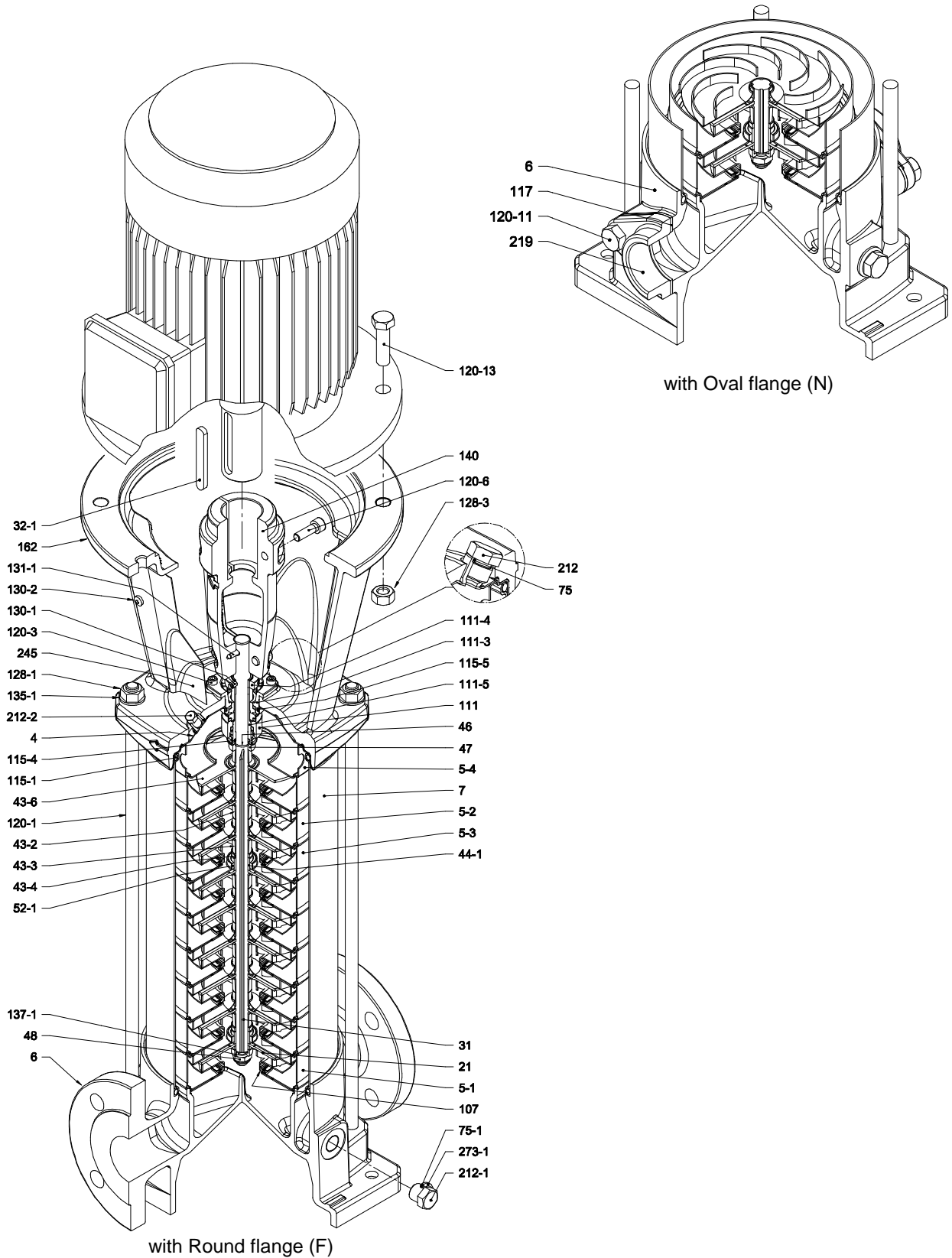
Note: Dimensions H3, C & B may vary depending on motor type fitted. Dimensions refer to Ebara factory motors (European) not generally fitted in Australia. Example only.

Dimensions [mm] and Weights [Kg]

Pump Type	Pmax [MPa]	kW	Size	Motor									Oval flange (N)			Round flange (F)		
				A	1 ~			3 ~			H2	Weight Pump	Weight Pump + Motor		H2	Weight Pump	Weight Pump + Motor	
					B	C	H3	B	C	H3			1 ~	3 ~			1 ~	3 ~
EVMSG15 1/1.1	1.6	1.1	80	ø120	160	151	232	160	139	232	377	22.4	34.2	33.5	377	26.9	38.7	38
EVMSG15 2/2.2	1.6	2.2	90L	ø140	172	140	278	180	148	267	387	22.6	42.1	38.6	387	27.2	46.7	43.2
EVMSG15 3/3.0	1.6	3.0	100 L	ø160	-	-	-	196	155	306	437	24	-	46.8	437	28.5	-	51.3
EVMSG15 4/4.0	1.6	4.0	112 S	ø160	-	-	-	196	155	306	477	25.2	-	51.7	477	29.7	-	56.2
EVMSG15 5/5.5	1.6	5.5	132 S	ø300	-	-	-	225	160	328	614	34.9	-	73.5	614	39.5	-	78.1
EVMSG15 6/5.5	1.6	5.5	132 S	ø300	-	-	-	225	160	328	654	36.1	-	74.7	654	40.7	-	79.3
EVMSG15 7/7.5	1.6	7.5	132 S	ø300	-	-	-	225	160	350	694	38.3	-	78.7	694	42.9	-	83.3
EVMSG15 8/7.5	1.6	7.5	132 S	ø300	-	-	-	225	160	350	734	39.6	-	80	734	44.2	-	84.6
EVMSG15 9/11	1.6	11	160 M	ø350	-	-	-	248	194	476	804	40.9	-	103.4	804	45.5	-	108
EVMSG15 10/11	1.6	11	160 M	ø350	-	-	-	248	194	476	844	42.2	-	104.7	844	46.8	-	109.3
EVMSG15 11/11	1.6	11	160 M	ø350	-	-	-	248	194	476	884	50.2	-	112.7	884	54.7	-	117.2
EVMSG15 12/11	2.5	11	160 M	ø350	-	-	-	248	194	476	-	-	-	-	924	56	-	118.5
EVMSG15 13/11	2.5	11	160 M	ø350	-	-	-	248	194	476	-	-	-	-	964	57.3	-	119.8
EVMSG15 15/15	2.5	15	160 M	ø350	-	-	-	317	238	498	-	-	-	-	1044	59.9	-	148.8
EVMSG15 17/15	2.5	15	160 M	ø350	-	-	-	317	238	498	-	-	-	-	1124	62.8	-	151.7

1.6 MPa=16 bar ; 2.5 MPa=25 bar
 - not available model

EVMSG15



EVMSG15

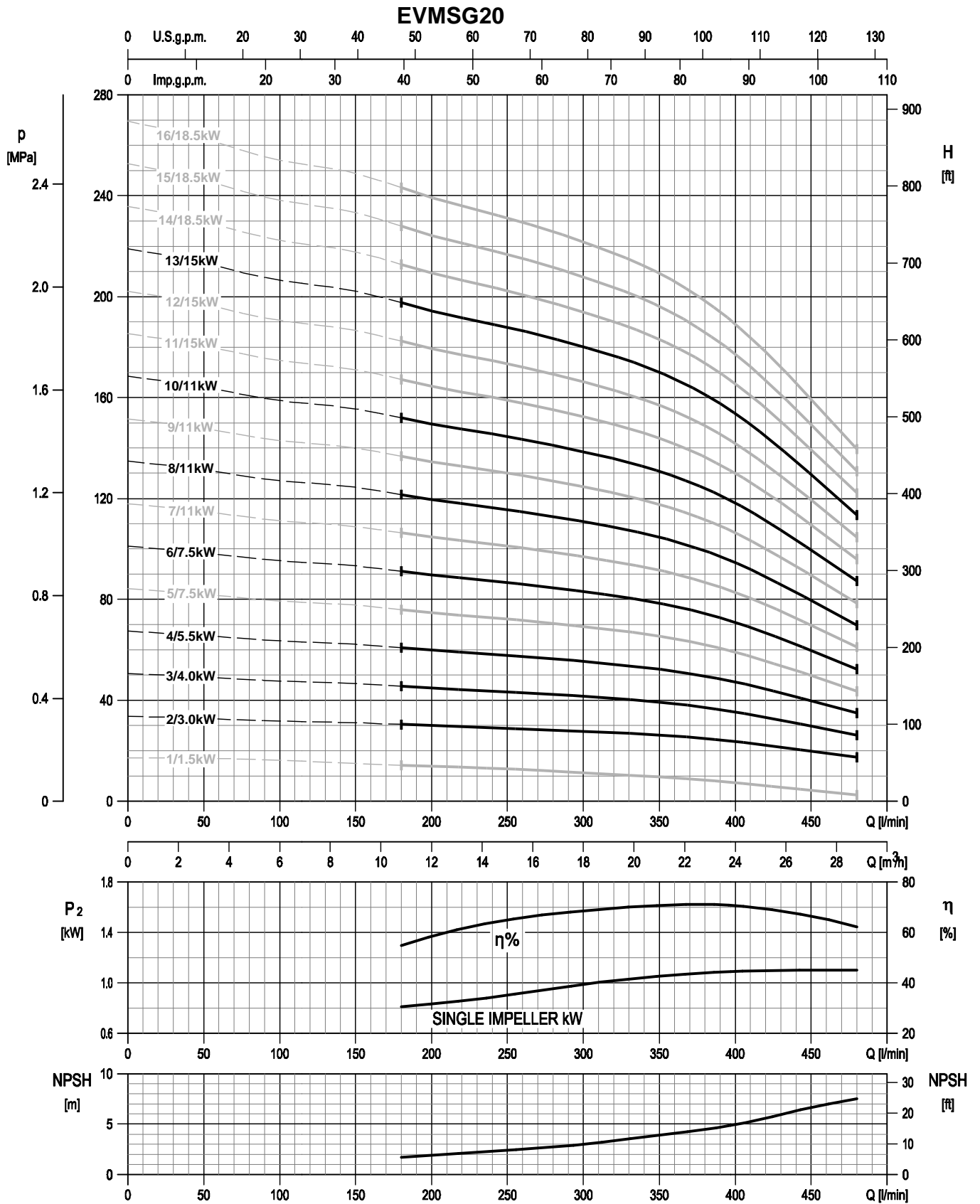
N°	PART NAME	MATERIAL EVMSG	DIMENSIONS	STANDARD	
4	Casing cover	EN 1.4301 (AISI 304)			
5-1	Suction casing	EN 1.4301 (AISI 304)			
5-2	Intermediate Casing	EN 1.4301 (AISI 304)			
5-3	Intermediate casing bearing	EN 1.4301 (AISI 304)			
5-4	Discharge casing	EN 1.4301 (AISI 304)			
6	Bottom casing	Cast Iron EN GJL-250-EN1561			
7	Outer casing	EN 1.4301 (AISI 304)			
21	Impeller	EN 1.4301 (AISI 304)			
31	Shaft	EN 1.4301 (AISI 304) - EN 1.4462 (AISI 329A)			
32-1	Adjuster Key	EN 1.4301 (AISI 304)			
43-2	Shaft sleeve (intermediate)	EN 1.4301 (AISI 304)			
43-3	Shaft sleeve (bearing)	EN 1.4301 (AISI 304)			
43-4	Shaft sleeve (adjustment)	EN 1.4301 (AISI 304)			
43-6	Washer	EN 1.4404 (AISI 316L)	D. 26x2.5		
44-1	Shaft sleeve bearing	Tungsten carbide			
46	Ring (mechanical seal)	EN 1.4404 (AISI 316L)			
47	Ring Holder	EN 1.4301 (AISI 304)			
48	Impeller nut	A2-70 UNI 7323 with inox insert	M10		
52-1	Bearing	Tungsten carbide			
75	O-Ring (plug)	EPDM	D. 12.37x2.62	OR 3050	
75-1	O-Ring (plug)	EPDM			
107	Liner ring	EN 1.4301 (AISI 304) + PPS			
111	Mechanical Seal	SiC/Carbon/EPDM			
111-3	Mechanical seal seat	EN 1.4301 (AISI 304)			
111-4	Seal holder	EN 1.4301 (AISI 304)			
111-5	Mechanical seal cartridge	EN 1.4301 (AISI 304)			
115-1	O-Ring (outer casing)	EPDM	D. 164,46x5,34	OR 6645	
115-4	O-Ring (cartridge sleeve)	EPDM	D. 15.88x2.62	OR 121	
115-5	O-Ring (seal cover)	EPDM	D. 37.77x2.62	OR 3150	
117	Flange gasket	EPDM			
120-1	Tie-rod	Galvanized steel 6.8 strength class ISO 898/1	M12		
120-3	Screw	A2-70 UNI 7323	M5x12	ISO 4762	
120-6	Screw for coupling	Galvanized steel 6.8 strength class ISO 898/1	up to 4.0 kW	M6x25	ISO 4762
			from 5.5 kW to 7.5 kW	M8x20	ISO 4762
			above 11 kW	M10x30	ISO 4762
120-11	Screw for counterflange	A2-70 UNI 7323			
120-13	Screw for motor	Galvanized steel 8.8 strength class ISO 898/1	MEC 80	M6x20	ISO 4017
			MEC 90-100-112	M8x20	ISO 4017
			MEC 132	M12x40	UNI 5739
			MEC 160	M16x50	ISO 4017
128-1	Nut for tie rod	Galvanized steel	M12	UNI 5588	
128-3	Nut (motor)	Galvanized steel	MEC 132	M12	UNI 5588
			MEC 160	M16	ISO 4032
130-1	Set screw	A2-70 UNI 7323	M5x8	UNI 5923	
130-2	Screw for coupling guard	A2-70 UNI 7323	M5x6	UNI 7687	
131-1	Pin for shaft	Carbon Steel	D. 5x35	UNI 4838	
135-1	Washer	Galvanized steel	D. 13x24x2,5	UNI 6592	
137-1	Impeller spacer	EN 1.4301 (AISI 304)			
140	Coupling	up to 4.0 kW	Die cast Aluminium EN AB-AISI11Cu2 (Fe)		
		above 5.5 kW	Cast Iron		
162	Motor bracket	Cast iron EN-GJL-200-EN 1561			
212	Plug	EN 1.4301 (AISI 304)	G 3/8		
212-1	Plug	EN 1.4301 (AISI 304)	G 3/8		
212-2	Venting plug	EN 1.4404 (AISI 316L)			
219	Counter flange	Galvanized steel			
245	Coupling guard	EN 1.4301 (AISI 304)			
273-1	Plug Washer	EN 1.4301 (AISI 304)			

EVMSG15

Pump Type	N°																												
	4	5-1	5-2	5-3	5-4	6	7	21	31***	32-1	43-2	43-3	43-4	43-6	44-1	46	47	48	52-1	75	75-1	107	111	111-3	111-4	111-5	115-1	115-4	115-5
EVMSG15 1/1.1	1	1	/	1	1	1	1	1	1	1	/	1	1	1	1	2	1	1	1	1	4	1	1	1	1	1	2	1	1
EVMSG15 2/2.2	1	1	/	1	1	1	1	2	1	1	/	1	1	/	1	2	1	1	1	1	4	2	1	1	1	1	2	1	1
EVMSG15 3/3.0	1	1	1	1	1	1	1	3	1	1	3	1	1	/	1	2	1	1	1	1	4	3	1	1	1	1	2	1	1
EVMSG15 4/4.0	1	1	2	1	1	1	1	4	1	1	5	1	1	/	1	2	1	1	1	1	4	4	1	1	1	1	2	1	1
EVMSG15 5/5.5	1	1	3	1	1	1	1	5	1	1	7	1	1	/	1	2	1	1	1	1	4	5	1	1	1	1	2	1	1
EVMSG15 6/5.5	1	1	4	1	1	1	1	6	1	1	9	1	1	/	1	2	1	1	1	1	4	6	1	1	1	1	2	1	1
EVMSG15 7/7.5	1	1	4	2	1	1	1	7	1	1	9	2	2	/	2	2	1	1	2	1	4	7	1	1	1	1	2	1	1
EVMSG15 8/7.5	1	1	5	2	1	1	1	8	1	1	11	2	2	/	2	2	1	1	2	1	4	8	1	1	1	1	2	1	1
EVMSG15 9/11	1	1	6	2	1	1	1	9	1	1	13	2	2	/	2	2	1	1	2	1	4	9	1	1	1	1	2	1	1
EVMSG15 10/11	1	1	7	2	1	1	1	10	1	1	15	1	2	/	2	2	1	1	2	1	4	10	1	1	1	1	2	1	1
EVMSG15 11/11	1	1	8	2	1	1	1	11	1	1	17	1	2	/	2	2	1	1	2	1	4	11	1	1	1	1	2	1	1
EVMSG15 12/11	1	1	9	2	1	1	1	12	1	1	19	1	2	/	2	2	1	1	2	1	4	12	1	1	1	1	2	1	1
EVMSG15 13/11	1	1	10	2	1	1	1	13	1	1	21	1	2	/	2	2	1	1	2	1	4	13	1	1	1	1	2	1	1
EVMSG15 15/15	1	1	12	2	1	1	1	15	1	1	25	1	2	/	2	2	1	1	2	1	4	15	1	1	1	1	2	1	1
EVMSG15 17/15	1	1	13	3	1	1	1	17	1	1	27	2	2	/	3	2	1	1	3	1	4	17	1	1	1	1	2	1	1

Pump Type	N°																						
	117*	120-1	120-3	120-6	120-11*	120-13	128-1	128-3	128-6	130-1	130-2	131-1	135-1	135-6	137-1	140	162	212	212-1	212-2	219*	245	273-1
EVMSG15 1/1.1	2	4	4	4	4	4	4	/	4	3	4	1	4	4	1	2	1	1	4	1	2	2	4
EVMSG15 2/2.2	2	4	4	4	4	4	4	/	4	3	4	1	4	4	1	2	1	1	4	1	2	2	4
EVMSG15 3/3.0	2	4	4	4	4	4	4	/	4	3	4	1	4	4	1	2	1	1	4	1	2	2	4
EVMSG15 4/4.0	2	4	4	4	4	4	4	/	4	3	4	1	4	4	1	2	1	1	4	1	2	2	4
EVMSG15 5/5.5	2	4	4	4	4	4	4	/	3	4	1	4	/	1	2	1	1	4	1	2	2	4	
EVMSG15 6/5.5	2	4	4	4	4	4	4	/	3	4	1	4	/	1	2	1	1	4	1	2	2	4	
EVMSG15 7/7.5	2	4	4	4	4	4	4	/	3	4	1	4	/	1	2	1	1	4	1	2	2	4	
EVMSG15 8/7.5	2	4	4	4	4	4	4	/	3	4	1	4	/	1	2	1	1	4	1	2	2	4	
EVMSG15 9/11	2	4	4	4	4	4	4	/	3	4	1	4	/	1	2	1	1	4	1	2	2	4	
EVMSG15 10/11	2	4	4	4	4	4	4	/	3	4	1	4	/	1	2	1	1	4	1	2	2	4	
EVMSG15 11/11	2	4	4	4	4	4	4	/	3	4	1	4	/	1	2	1	1	4	1	2	2	4	
EVMSG15 12/11	/	4	4	4	/	4	4	/	3	4	1	4	/	1	2	1	1	4	1	/	2	4	
EVMSG15 13/11	/	4	4	4	/	4	4	/	3	4	1	4	/	1	2	1	1	4	1	/	2	4	
EVMSG15 15/15	/	4	4	4	/	4	4	/	3	4	1	4	/	1	2	1	1	4	1	/	2	4	
EVMSG15 17/15	/	4	4	4	/	4	4	/	3	4	1	4	/	1	2	1	1	4	1	/	2	4	

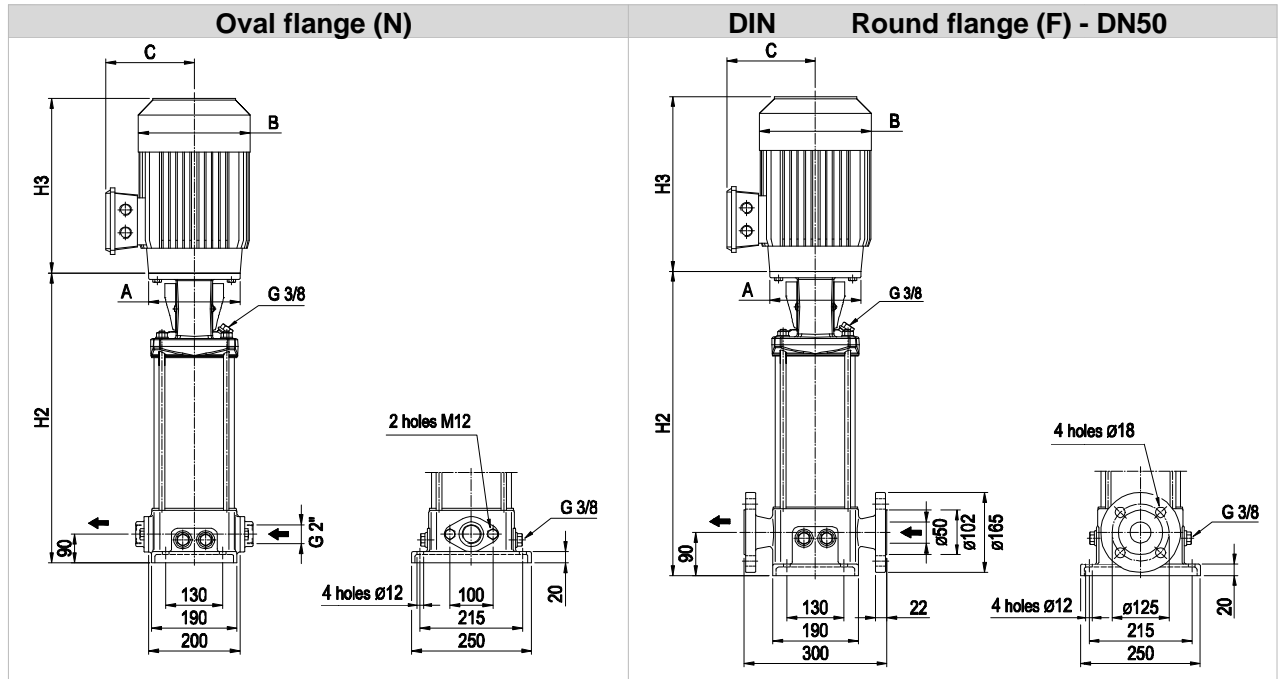
* only for Oval flange (N)
 *** shaft in EN 1.4462 (AISI 329A)



Rotation speed 2900 min⁻¹
 Test standard: ISO 9906:2012 - Grade 3B

EVMSG20

Dimensional sketch



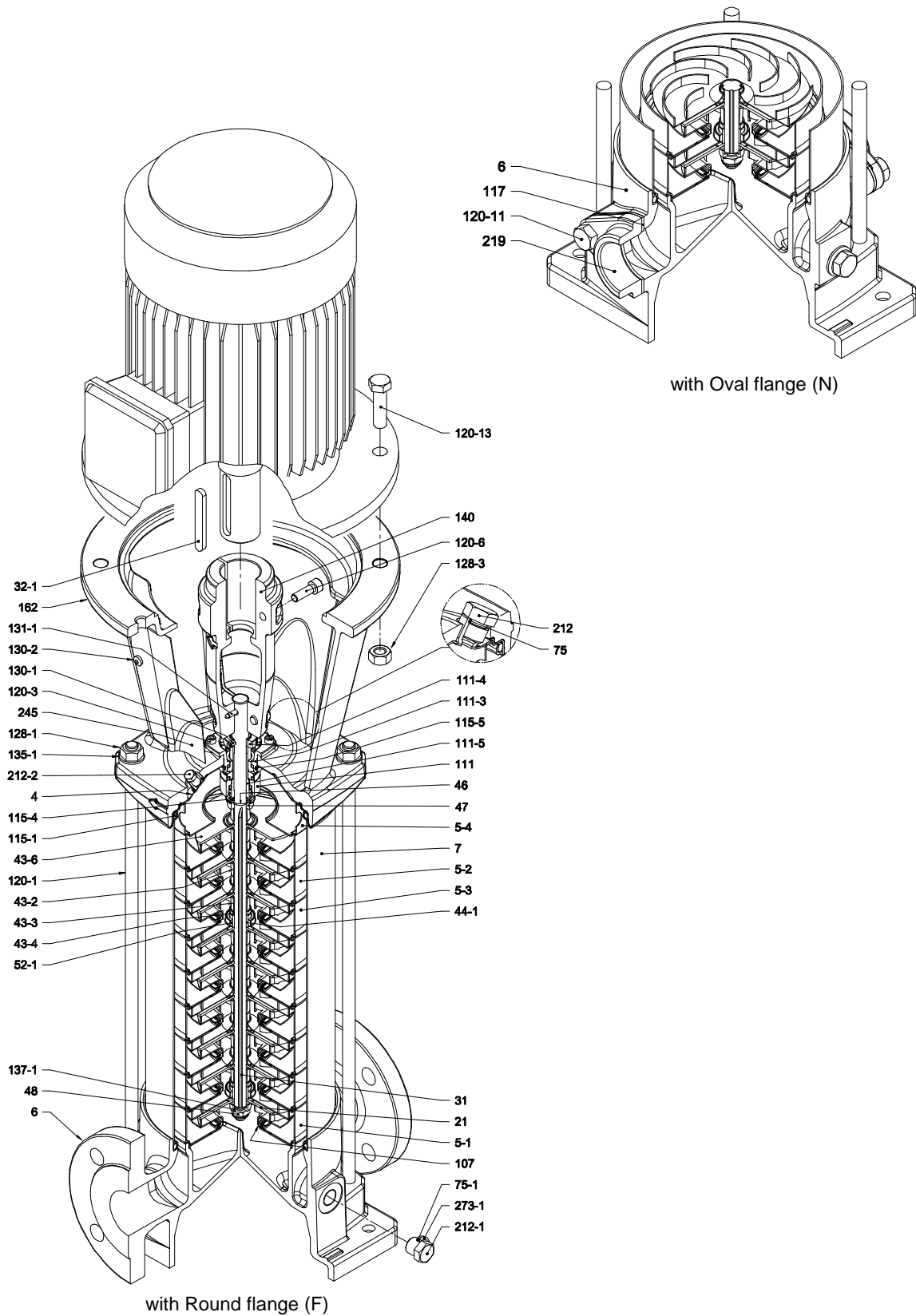
Note: Dimensions H3, C & B may vary depending on motor type fitted. Dimensions refer to Ebara factory motors (European) not generally fitted in Australia. Example only.

Dimensions [mm] and Weights [Kg]

Pump Type	Pmax [MPa]	kW	Size	Motor									Oval flange (N)				Round flange (F)			
				A			1 ~			3 ~			H2	Weight Pump	Weight Pump + Motor		H2	Weight Pump	Weight Pump + Motor	
				Ø	B	C	H3	B	C	H3	B	C			H3	1 ~			3 ~	1 ~
EVMSG20 1/1.5	1.6	1.5	90 S	Ø140	172	140	278	180	148	267	387	22.6	40.4	35.3	387	27.2	45	39.9		
EVMSG20 2/3.0	1.6	3.0	100 L	Ø160	-	-	-	196	155	306	397	22.7	-	45.5	397	27.3	-	50.1		
EVMSG20 3/4.0	1.6	4.0	112 M	Ø160	-	-	-	196	155	306	437	24.1	-	50.6	437	28.7	-	55.2		
EVMSG20 4/5.5	1.6	5.5	132 S	Ø300	-	-	-	225	160	328	574	30	-	68.6	574	34.6	-	73.2		
EVMSG20 5/7.5	1.6	7.5	132 S	Ø300	-	-	-	225	160	350	614	31.2	-	71.6	614	35.9	-	76.3		
EVMSG20 6/7.5	1.6	7.5	132 S	Ø300	-	-	-	225	160	350	654	32.5	-	72.9	654	37.1	-	77.5		
EVMSG20 7/11	1.6	11	160 M	Ø350	-	-	-	248	194	476	724	34.8	-	97.3	724	39.4	-	101.9		
EVMSG20 8/11	1.6	11	160 M	Ø350	-	-	-	248	194	476	764	46.6	-	109.1	764	51.2	-	113.7		
EVMSG20 9/11	1.6	11	160 M	Ø350	-	-	-	248	194	476	804	47.9	-	110.4	804	52.5	-	115		
EVMSG20 10/11	2.5	11	160 M	Ø350	-	-	-	248	194	476	-	-	-	-	844	53.9	-	116.4		
EVMSG20 11/15	2.5	15	160 M	Ø350	-	-	-	317	238	498	-	-	-	-	884	55.2	-	144.1		
EVMSG20 12/15	2.5	15	160 M	Ø350	-	-	-	317	238	498	-	-	-	-	924	56.5	-	145.4		
EVMSG20 13/15	2.5	15	160 M	Ø350	-	-	-	317	238	498	-	-	-	-	964	57.9	-	146.8		
EVMSG20 14/18.5	2.5	18.5	160 L	Ø350	-	-	-	317	238	542	-	-	-	-	1004	59.2	-	163.2		
EVMSG20 15/18.5	2.5	18.5	160 L	Ø350	-	-	-	317	238	542	-	-	-	-	1044	60.5	-	164.5		
EVMSG20 16/18.5	2.5	18.5	160 L	Ø350	-	-	-	317	238	542	-	-	-	-	1084	61.8	-	165.8		

1.6 MPa=16 bar ; 2.5 MPa=25 bar
 - not available model

EVMSG20



EVMSG20

N°	PART NAME	MATERIAL EVMSG	DIMENSIONS	STANDARD	
4	Casing cover	EN 1.4301 (AISI 304)			
5-1	Suction casing	EN 1.4301 (AISI 304)			
5-2	Intermediate Casing	EN 1.4301 (AISI 304)			
5-3	Intermediate casing bearing	EN 1.4301 (AISI 304)			
5-4	Discharge casing	EN 1.4301 (AISI 304)			
6	Bottom casing	Cast Iron EN GJL-250-EN1561			
7	Outer casing	EN 1.4301 (AISI 304)			
21	Impeller	EN 1.4301 (AISI 304)			
31	Shaft	EN 1.4301 (AISI 304) - EN 1.4462 (AISI 329A)			
32-1	Adjuster Key	EN 1.4301 (AISI 304)			
43-2	Shaft sleeve (intermediate)	EN 1.4301 (AISI 304)			
43-3	Shaft sleeve (bearing)	EN 1.4301 (AISI 304)			
43-4	Shaft sleeve (adjustment)	EN 1.4301 (AISI 304)			
43-6	Washer	EN 1.4404 (AISI 316L)	D. 26x2.5		
44-1	Shaft sleeve bearing	Tungsten carbide			
46	Ring (mechanical seal)	EN 1.4404 (AISI 316L)			
47	Ring Holder	EN 1.4301 (AISI 304)			
48	Impeller nut	A2-70 UNI 7323 with inox insert	M10		
52-1	Bearing	Tungsten carbide			
75	O-Ring (plug)	EPDM	D. 12.37x2.62	OR 3050	
75-1	O-Ring (plug)	EPDM			
107	Liner ring	EN 1.4301 (AISI 304) + PPS			
111	Mechanical Seal	SiC/Carbon/EPDM			
111-3	Mechanical seal seat	EN 1.4301 (AISI 304)			
111-4	Seal holder	EN 1.4301 (AISI 304)			
111-5	Mechanical seal cartridge	EN 1.4301 (AISI 304)			
115-1	O-Ring (outer casing)	EPDM	D. 164.46x5.34	OR 6645	
115-4	O-Ring (cartridge sleeve)	EPDM	D. 15.88x2.62	OR 121	
115-5	O-Ring (seal cover)	EPDM	D. 37.77x2.62	OR 3150	
117	Flange gasket	EPDM			
120-1	Tie-rod	Galvanized steel 6.8 strength class ISO 898/1	M12		
120-3	Screw	A2-70 UNI 7323	M5x12	ISO 4762	
120-6	Screw for coupling	Galvanized steel 6.8 strength class ISO 898/1	up to 4.0 kW	M6x25	ISO 4762
			from 5.5 kW to 7.5 kW	M8x20	ISO 4762
			above 11 kW	M10x30	ISO 4762
120-11	Screw for counterflange	A2-70 UNI 7323			
120-13	Screw for motor	Galvanized steel 8.8 strength class ISO 898/1	MEC 90-100-112	M8x20	ISO 4017
			MEC 132	M12x40	UNI 5739
			MEC 160	M16x50	ISO 4017
128-1	Nut for tie rod	Galvanized steel	M12	UNI 5588	
128-3	Nut (motor)	Galvanized steel	MEC 132	M12	UNI 5588
			MEC 160	M16	ISO 4032
130-1	Set screw	A2-70 UNI 7323	M5x8	UNI 5923	
130-2	Screw for coupling guard	A2-70 UNI 7323	M5x6	UNI 7687	
131-1	Pin for shaft	Carbon Steel	D. 5x35	UNI 4838	
135-1	Washer	Galvanized steel	D. 13x24x2,5	UNI 6592	
137-1	Impeller spacer	EN 1.4301 (AISI 304)			
140	Coupling	up to 4.0 kW	Die cast Aluminium EN AB-AISI11Cu2 (Fe)		
		above 5.5 kW	Cast Iron		
162	Motor bracket	Cast iron EN-GJL-200-EN 1561			
212	Plug	EN 1.4301 (AISI 304)	G 3/8		
212-1	Plug	EN 1.4301 (AISI 304)	G 3/8		
212-2	Venting plug	EN 1.4404 (AISI 316L)			
219	Counter flange	Galvanized steel			
245	Coupling guard	EN 1.4301 (AISI 304)			
273-1	Plug Washer	EN 1.4301 (AISI 304)			

EVMSG20

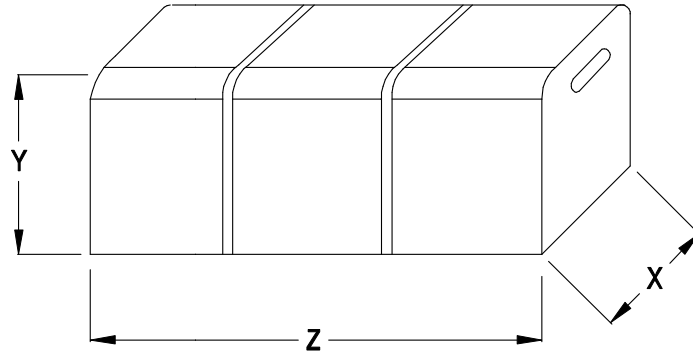
Pump Type	N°																												
	4	5-1	5-2	5-3	5-4	6	7	21	31***	32-1	43-2	43-3	43-4	43-6	44-1	46	47	48	52-1	75	75-1	107	111	111-3	111-4	111-5	115-1	115-4	115-5
EVMSG20 1/1.5	1	1	/	1	1	1	1	1	1	/	1	1	1	1	2	1	1	1	1	4	1	1	1	1	1	2	1	1	
EVMSG20 2/3.0	1	1	/	1	1	1	1	2	1	1	/	1	1	/	1	2	1	1	1	1	4	2	1	1	1	1	2	1	1
EVMSG20 3/4.0	1	1	1	1	1	1	1	3	1	1	3	1	1	/	1	2	1	1	1	1	4	3	1	1	1	1	2	1	1
EVMSG20 4/5.5	1	1	2	1	1	1	1	4	1	1	5	1	1	/	1	2	1	1	1	1	4	4	1	1	1	1	2	1	1
EVMSG20 5/7.5	1	1	3	1	1	1	1	5	1	1	7	1	1	/	1	2	1	1	1	1	4	5	1	1	1	1	2	1	1
EVMSG20 6/7.5	1	1	4	1	1	1	1	6	1	1	9	1	1	/	1	2	1	1	1	1	4	6	1	1	1	1	2	1	1
EVMSG20 7/11	1	1	4	2	1	1	1	7	1	1	9	2	2	/	2	2	1	1	2	1	4	7	1	1	1	1	2	1	1
EVMSG20 8/11	1	1	5	2	1	1	1	8	1	1	11	2	2	/	2	2	1	1	2	1	4	8	1	1	1	1	2	1	1
EVMSG20 9/11	1	1	6	2	1	1	1	9	1	1	13	2	2	/	2	2	1	1	2	1	4	9	1	1	1	1	2	1	1
EVMSG20 10/11	1	1	7	2	1	1	1	10	1	1	15	2	2	/	2	2	1	1	2	1	4	10	1	1	1	1	2	1	1
EVMSG20 11/15	1	1	8	2	1	1	1	11	1	1	17	2	2	/	2	2	1	1	2	1	4	11	1	1	1	1	2	1	1
EVMSG20 12/15	1	1	9	2	1	1	1	12	1	1	19	2	2	/	2	2	1	1	2	1	4	12	1	1	1	1	2	1	1
EVMSG20 13/15	1	1	10	2	1	1	1	13	1	1	21	2	2	/	2	2	1	1	2	1	4	13	1	1	1	1	2	1	1
EVMSG20 14/18.5	1	1	11	2	1	1	1	14	1	1	23	2	2	/	2	2	1	1	2	1	4	14	1	1	1	1	2	1	1
EVMSG20 15/18.5	1	1	12	2	1	1	1	15	1	1	25	2	2	/	2	2	1	1	2	1	4	15	1	1	1	1	2	1	1
EVMSG20 16/18.5	1	1	13	2	1	1	1	16	1	1	27	2	2	/	2	2	1	1	2	1	4	16	1	1	1	1	2	1	1

Pump Type	N°																						
	117*	120-1	120-3	120-6	120-11*	120-13	128-1	128-3	128-6	130-1	130-2	131-1	135-1	135-6	137-1	140	162	212	212-1	212-2	219*	245	273-1
EVMSG20 1/1.5	2	4	4	4	4	4	4	/	4	3	4	1	4	4	1	2	1	1	4	1	2	2	4
EVMSG20 2/3.0	2	4	4	4	4	4	4	/	4	3	4	1	4	4	1	2	1	1	4	1	2	2	4
EVMSG20 3/4.0	2	4	4	4	4	4	4	/	4	3	4	1	4	4	1	2	1	1	4	1	2	2	4
EVMSG20 4/5.5	2	4	4	4	4	4	4	/	3	4	1	4	/	1	2	1	1	4	1	2	2	4	
EVMSG20 5/7.5	2	4	4	4	4	4	4	/	3	4	1	4	/	1	2	1	1	4	1	2	2	4	
EVMSG20 6/7.5	2	4	4	4	4	4	4	/	3	4	1	4	/	1	2	1	1	4	1	2	2	4	
EVMSG20 7/11	2	4	4	4	4	4	4	/	3	4	1	4	/	1	2	1	1	4	1	2	2	4	
EVMSG20 8/11	2	4	4	4	4	4	4	/	3	4	1	4	/	1	2	1	1	4	1	2	2	4	
EVMSG20 9/11	2	4	4	4	4	4	4	/	3	4	1	4	/	1	2	1	1	4	1	2	2	4	
EVMSG20 10/11	/	4	4	4	/	4	4	/	3	4	1	4	/	1	2	1	1	4	1	/	2	4	
EVMSG20 11/15	/	4	4	4	/	4	4	/	3	4	1	4	/	1	2	1	1	4	1	/	2	4	
EVMSG20 12/15	/	4	4	4	/	4	4	/	3	4	1	4	/	1	2	1	1	4	1	/	2	4	
EVMSG20 13/15	/	4	4	4	/	4	4	/	3	4	1	4	/	1	2	1	1	4	1	/	2	4	
EVMSG20 14/18.5	/	4	4	4	/	4	4	/	3	4	1	4	/	1	2	1	1	4	1	/	2	4	
EVMSG20 15/18.5	/	4	4	4	/	4	4	/	3	4	1	4	/	1	2	1	1	4	1	/	2	4	
EVMSG20 16/18.5	/	4	4	4	/	4	4	/	3	4	1	4	/	1	2	1	1	4	1	/	2	4	

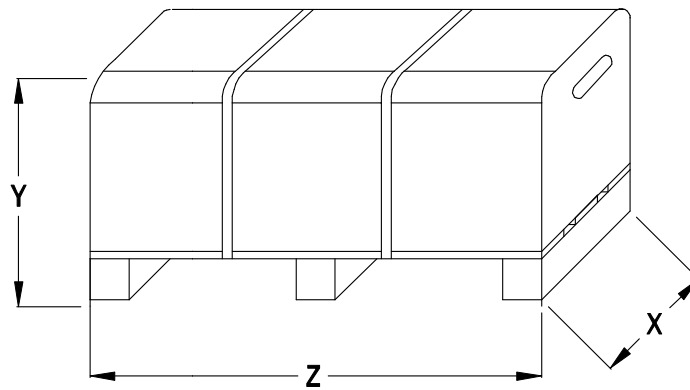
* only for Oval flange (N)

*** shaft in EN 1.4462 (AISI 329A)

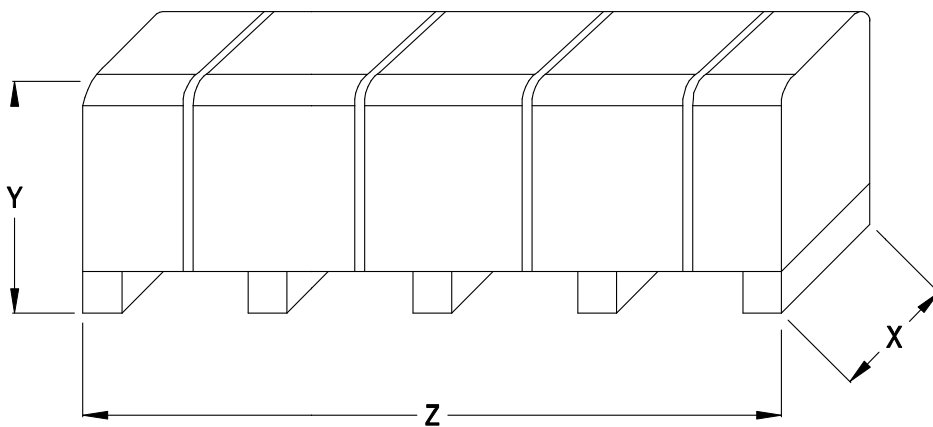
EVMSG1-3-5-10-15-20



TYPE 1



TYPE 2



TYPE 3

EVMSG1-3-5

Note: Pumps with motor dimensions refer to Ebara Factory motors (European). Not generally fitted in Australia. Example purpose only.

Pump type	Pumps					Pumps with motor ~1					Pumps with motor ~3						
	Packing [mm]			Weight + Packing [kg]	Pack Type	Packing [mm]			Weight + Packing [kg]		Pack Type	Packing [mm]			Weight + Packing [kg]		Pack Type
	X	Y	Z			X	Y	Z	EVMS(L)	EVMSG		X	Y	Z	EVMS(L)	EVMSG	
EVMSG1 2/0.37	385	400	385	19.3	1	385	400	585	20.2	27.2	1	385	400	585	18.9	25.9	1
EVMSG1 3/0.37	385	400	385	19.8	1	385	400	585	20.7	27.7	1	385	400	585	19.4	26.4	1
EVMSG1 4/0.37	385	400	385	20.2	1	385	400	770	21.5	28.4	1	385	400	770	20.2	27.1	1
EVMSG1 5/0.37	385	400	585	21.2	1	385	400	770	22.0	28.9	1	385	400	770	20.7	27.6	1
EVMSG1 6/0.37	385	400	585	21.6	1	385	400	770	22.4	29.3	1	385	400	770	21.1	28.0	1
EVMSG1 7/0.37	385	400	585	22.0	1	385	400	770	22.8	29.7	1	385	400	770	21.5	28.4	1
EVMSG1 8/0.37	385	400	585	22.5	1	385	400	770	23.3	30.2	1	385	400	770	22.0	28.9	1
EVMSG1 9/0.55	385	400	585	22.9	1	385	400	770	25.1	32.0	1	385	400	770	22.8	29.7	1
EVMSG1 10/0.55	385	400	585	23.3	1	385	400	770	25.5	32.4	1	385	400	770	23.2	30.1	1
EVMSG1 11/0.55	385	400	585	23.8	1	385	400	770	26.0	32.9	1	385	400	770	23.7	30.6	1
EVMSG1 12/0.55	385	400	585	24.5	1	385	400	770	26.7	33.6	1	385	400	970	24.4	31.3	1
EVMSG1 13/0.55	385	400	585	25.1	1	385	400	970	27.9	34.9	1	385	400	970	25.6	32.6	1
EVMSG1 14/0.75	385	400	770	26.3	1	385	400	970	31.5	38.5	1	385	400	970	29.6	36.6	1
EVMSG1 16/0.75	385	400	770	27.3	1	385	400	970	32.5	39.5	1	385	400	970	30.6	37.6	1
EVMSG1 18/1.1	385	400	770	28.4	1	385	400	970	34.0	41.0	1	385	400	970	33.3	40.3	1
EVMSG1 20/1.1	385	400	770	29.4	1	385	400	970	35.0	42.0	1	385	400	970	34.3	41.3	1
EVMSG1 22/1.1	385	400	770	30.6	1	385	400	1170	36.8	43.7	1	385	400	1170	36.1	43.0	1
EVMSG1 24/1.1	385	400	970	32.0	1	385	400	1170	37.8	44.7	1	385	400	1170	37.1	44.0	1
EVMSG1 26/1.1	385	400	970	33.0	1	385	400	1170	38.8	45.7	1	385	400	1170	38.1	45.0	1
EVMSG1 27/1.5	385	400	970	33.4	1	400	510	1200	45.2	61.1	1 2	385	400	1170	41.4	48.3	1
EVMSG1 29/1.5	385	400	970	34.4	1	500	525	1350	66.1	73.0	3	500	525	1350	62.3	69.2	3
EVMSG1 32/1.5	385	400	1170	36.2	1	500	525	1350	67.4	74.3	3	500	525	1350	63.6	70.5	3
EVMSG1 34/1.5	385	400	1170	37.1	1	500	525	1350	68.3	75.2	3	500	525	1350	64.5	71.4	3
EVMSG1 37/2.2	385	400	1170	38.5	1	500	525	1540	74.1	81.9	3	500	525	1540	69.5	77.2	3
EVMSG1 39/2.2	385	400	1170	39.5	1	500	525	1540	75.1	82.1	3	500	525	1540	68.9	75.8	3
EVMSG3 2/0.37	385	400	385	17.6	1	385	400	600	20.3	25.5	1	385	400	585	19.0	24.2	1
EVMSG3 3/0.37	385	400	385	18.0	1	385	400	600	20.7	25.9	1	385	400	585	19.4	24.6	1
EVMSG3 4/0.37	385	400	385	18.5	1	385	400	770	21.5	26.8	1	385	400	770	20.2	25.5	1
EVMSG3 5/0.55	385	400	585	19.4	1	385	400	770	23.4	28.6	1	385	400	770	21.1	26.3	1
EVMSG3 6/0.55	385	400	585	19.8	1	385	400	770	23.8	29.0	1	385	400	770	21.5	26.7	1
EVMSG3 7/0.75	385	400	585	20.7	1	385	400	770	27.6	32.8	1	385	400	770	25.7	30.9	1
EVMSG3 8/0.75	385	400	585	21.2	1	385	400	770	28.1	33.3	1	385	400	770	26.2	31.4	1
EVMSG3 9/1.1	385	400	585	21.6	1	385	400	770	28.9	34.1	1	385	400	770	28.2	33.4	1
EVMSG3 10/1.1	385	400	585	22.1	1	385	400	770	29.4	34.6	1	385	400	770	28.7	33.9	1
EVMSG3 11/1.1	385	400	585	22.5	1	385	400	970	30.4	35.6	1	385	400	970	29.8	34.9	1
EVMSG3 12/1.1	385	400	585	23.2	1	385	400	970	31.1	36.3	1	385	400	970	30.4	35.6	1
EVMSG3 13/1.5	385	400	770	24.2	1	385	400	970	37.6	42.8	1	385	400	970	33.8	38.7	1
EVMSG3 14/1.5	385	400	770	24.6	1	385	400	970	38.0	43.2	1	385	400	970	34.2	39.4	1
EVMSG3 15/1.5	385	400	770	25.1	1	385	400	970	38.5	43.7	1	385	400	970	34.7	39.9	1
EVMSG3 16/1.5	385	400	770	26.1	1	385	400	970	39.6	44.7	1	385	400	970	35.7	40.7	1
EVMSG3 17/2.2	385	400	770	26.6	1	385	400	970	41.7	46.9	1	385	400	970	38.2	43.4	1
EVMSG3 19/2.2	385	400	770	27.6	1	385	400	1170	43.3	48.5	1	385	400	1170	39.8	45.0	1
EVMSG3 21/2.2	385	400	770	28.5	1	385	400	1170	44.2	49.0	1	385	400	1170	40.7	45.9	1
EVMSG3 23/2.2	385	400	970	29.9	1	385	400	1170	45.2	49.4	1	385	400	1170	41.7	46.9	1
EVMSG3 24/2.2	385	400	970	30.4	1	385	400	1170	45.6	49.8	1	385	400	1170	42.1	47.3	1
EVMSG3 25/3.0	385	400	970	30.9	1	-	-	-	-	-	-	400	510	1200	49.5	63.7	1 2
EVMSG3 27/3.0	385	400	970	31.9	1	-	-	-	-	-	-	500	525	1350	70.4	75.6	3
EVMSG3 29/3.0	385	400	970	32.9	1	-	-	-	-	-	-	500	525	1350	71.3	76.6	3
EVMSG3 31/3.0	385	400	1170	34.4	1	-	-	-	-	-	-	500	525	1350	72.3	77.5	3
EVMSG3 33/3.0	385	400	1170	35.2	1	-	-	-	-	-	-	500	525	1350	73.1	78.3	3
EVMSG5 2/0.37	385	400	385	19.4	1	385	400	600	20.8	27.3	1	385	400	585	19.5	26.0	1
EVMSG5 3/0.55	385	400	385	19.9	1	385	400	770	23.1	29.5	1	385	400	770	20.8	27.3	1
EVMSG5 4/0.75	385	400	585	21.4	1	385	400	770	27.0	33.4	1	385	400	770	25.1	31.6	1
EVMSG5 5/1.1	385	400	585	21.9	1	385	400	770	27.9	34.4	1	385	400	770	27.2	33.7	1
EVMSG5 6/1.5	385	400	585	22.5	1	385	400	770	34.6	41.0	1	385	400	770	30.8	34.3	1
EVMSG5 7/1.5	385	400	585	22.9	1	385	400	970	35.6	42.0	1	385	400	970	31.8	38.2	1
EVMSG5 8/2.2	385	400	585	23.5	1	385	400	970	37.8	44.3	1	385	400	970	34.3	40.8	1
EVMSG5 9/2.2	385	400	585	24.0	1	385	400	970	38.4	44.8	1	385	400	970	34.9	41.3	1
EVMSG5 10/2.2	385	400	770	25.0	1	385	400	970	38.8	45.3	1	385	400	970	35.3	41.8	1
EVMSG5 11/2.2	385	400	770	25.8	1	385	400	970	39.7	46.1	1	385	400	970	36.2	42.6	1
EVMSG5 12/3.0	385	400	770	27.0	1	-	-	-	-	-	-	385	400	970	44.5	49.9	1
EVMSG5 13/3.0	385	400	770	27.6	1	-	-	-	-	-	-	400	510	1200	45.4	60.8	1 2
EVMSG5 14/3.0	385	400	770	28.2	1	-	-	-	-	-	-	400	510	1200	45.9	61.4	1 2
EVMSG5 15/3.0	385	400	770	29.2	1	-	-	-	-	-	-	400	510	1200	47.0	62.4	1 2
EVMSG5 17/4.0	385	400	970	30.3	1	-	-	-	-	-	-	400	510	1200	60.4	66.8	2
EVMSG5 19/4.0	385	400	970	31.4	1	-	-	-	-	-	-	400	510	1200	61.5	67.9	2
EVMSG5 20/4.0	385	400	970	33.7	1	-	-	-	-	-	-	500	525	1350	74.6	81.0	3
EVMSG5 23/5.5	385	400	1170	40.9	1	-	-	-	-	-	-	500	525	1540	96.1	102.5	3
EVMSG5 25/5.5	385	400	1170	41.9	1	-	-	-	-	-	-	500	525	1540	97.1	103.5	3
EVMSG5 27/5.5	500	525	1350	63.8	3	-											

EVMSG10-15-20

Note: Pumps with motor dimensions refer to Ebara Factory motors (European). Not generally fitted in Australia. Example purpose only.

Pump type	Pumps						Pumps with motor ~1						Pumps with motor ~3						
	Packing [mm]			Weight + Packing [kg]		Pack Type	Packing [mm]			Weight + Packing [kg]		Pack Type	Packing [mm]			Weight + Packing [kg]		Pack Type	
	X	Y	Z	EVMS(L)	EVMSG		X	Y	Z	EVMS(L)	EVMSG		X	Y	Z	EVMS(L)	EVMSG		
10	EVMSG10 2/0.75	385	400	585	19.9	26.7	1	385	400	770	32.0	38.8	1	385	400	770	30.1	36.9	1
	EVMSG10 3/1.5	385	400	585	20.9	27.7	1	385	400	770	39.4	46.2	1	385	400	770	35.6	42.4	1
	EVMSG10 4/2.2	385	400	585	21.7	28.4	1	385	400	770	41.9	48.6	1	385	400	770	38.4	45.1	1
	EVMSG10 5/2.2	385	400	585	22.5	29.3	1	385	400	970	43.3	49.4	1	385	400	970	39.8	46.6	1
	EVMSG10 6/2.2	385	400	585	23.4	30.1	1	385	400	970	44.2	50.0	1	385	400	970	40.7	47.4	1
	EVMSG10 7/3.0	385	400	585	24.3	31.1	1	-	-	-	-	-	-	400	510	1200	48.4	64.8	1 2
	EVMSG10 8/3.0	385	400	770	25.7	32.4	1	-	-	-	-	-	-	400	510	1200	49.3	65.6	1 2
	EVMSG10 9/4.0	385	400	770	26.5	33.3	1	-	-	-	-	-	-	400	510	1200	53.4	70.2	2
	EVMSG10 10/4.0	385	400	770	27.4	34.1	1	-	-	-	-	-	-	400	510	1200	64.2	71.0	2
	EVMSG10 11/4.0	385	400	770	29.0	35.8	1	-	-	-	-	-	-	400	510	1200	65.9	72.7	2
	EVMSG10 12/5.5	385	400	970	39.2	46.0	1	-	-	-	-	-	-	400	510	1200	87.8	94.6	2
	EVMSG10 14/5.5	385	400	970	41.0	47.8	1	-	-	-	-	-	-	500	525	1350	100.5	107.3	3
	EVMSG10 15/5.5	385	400	970	41.9	48.7	1	-	-	-	-	-	-	500	525	1350	101.4	108.2	3
	EVMSG10 16/7.5	385	400	970	42.9	49.6	1	-	-	-	-	-	-	500	525	1350	104.2	110.9	3
	EVMSG10 18/7.5	400	510	1200	45.3	60.6	1 2	-	-	-	-	-	-	500	525	1540	108.5	114.8	3
	EVMSG10 19/7.5	400	510	1200	46.2	62.0	1 2	-	-	-	-	-	-	500	525	1540	109.9	116.7	3
EVMSG10 21/7.5	400	510	1200	48.0	63.8	1 2	-	-	-	-	-	-	500	525	1540	111.4	118.2	3	
EVMSG10 22/11	400	510	1200	59.3	66.1	2	-	-	-	-	-	-	610	525	1750	136.1	142.9	3	
EVMSG10 23/11	500	525	1350	76.8	83.6	3	-	-	-	-	-	-	610	525	1750	142.0	148.8	3	
15	EVMSG15 1/1.1	385	400	585	21.2	29.3	1	385	400	770	33.7	41.8	1	385	400	770	33.0	41.1	1
	EVMSG15 2/2.2	385	400	585	21.5	29.6	1	385	400	770	41.7	49.8	1	385	400	770	38.2	46.3	1
	EVMSG15 3/3.0	385	400	585	22.8	30.9	1	-	-	-	-	-	-	400	510	1200	46.9	64.6	1 2
	EVMSG15 4/4.0	385	400	585	24.0	32.1	1	-	-	-	-	-	-	400	510	1200	60.2	69.5	2
	EVMSG15 5/5.5	385	400	770	34.2	42.4	1	-	-	-	-	-	-	400	510	1200	83.2	91.4	2
	EVMSG15 6/5.5	385	400	770	35.4	43.6	1	-	-	-	-	-	-	400	510	1200	84.4	92.6	2
	EVMSG15 7/7.5	385	400	770	37.6	45.8	1	-	-	-	-	-	-	400	510	1200	88.4	96.6	2
	EVMSG15 8/7.5	385	400	970	39.4	47.5	1	-	-	-	-	-	-	400	510	1200	89.7	97.9	2
	EVMSG15 9/11	400	510	1200	45.4	63.0	1 2	-	-	-	-	-	-	500	525	1350	125.2	133.2	3
	EVMSG15 10/11	400	510	1200	47.7	65.3	1 2	-	-	-	-	-	-	500	525	1540	127.8	136.0	3
	EVMSG15 11/11	400	510	1200	49.9	67.6	1 2	-	-	-	-	-	-	500	525	1540	135.3	144.4	3
	EVMSG15 12/11	400	510	1200	60.8	68.9	2	-	-	-	-	-	-	500	525	1540	137.3	145.4	3
	EVMSG15 13/11	400	510	1200	62.1	70.2	2	-	-	-	-	-	-	500	525	1540	138.6	146.7	3
	EVMSG15 15/15	400	510	1200	64.7	72.8	2	-	-	-	-	-	-	610	525	1750	167.6	175.7	3
EVMSG15 17/15	500	525	1350	78.9	87.0	3	-	-	-	-	-	-	610	525	1750	170.5	178.6	3	
20	EVMSG20 1/1.5	385	400	585	21.4	29.6	1	385	400	770	39.7	44.9	1	385	400	770	39.0	44.2	1
	EVMSG20 2/3.0	385	400	585	22.0	30.2	1	-	-	-	-	-	-	385	400	770	45.0	49.5	1
	EVMSG20 3/4.0	385	400	585	22.9	31.1	1	-	-	-	-	-	-	400	510	1200	50.0	68.5	1 2
	EVMSG20 4/5.5	385	400	770	29.3	37.5	1	-	-	-	-	-	-	400	510	1200	78.3	86.5	2
	EVMSG20 5/7.5	385	400	770	30.6	38.8	1	-	-	-	-	-	-	400	510	1200	81.4	89.6	2
	EVMSG20 6/7.5	385	400	770	31.8	40.0	1	-	-	-	-	-	-	400	510	1200	82.6	90.8	2
	EVMSG20 7/11	385	400	970	40.0	48.2	1	-	-	-	-	-	-	500	525	1350	119.3	127.5	3
	EVMSG20 8/11	400	510	1200	46.3	64.1	1 2	-	-	-	-	-	-	500	525	1350	129.7	137.9	3
	EVMSG20 9/11	400	510	1200	47.6	65.4	1 2	-	-	-	-	-	-	500	525	1350	131.0	139.2	3
	EVMSG20 10/11	400	510	1200	49.0	66.8	1 2	-	-	-	-	-	-	500	525	1540	134.9	143.1	3
	EVMSG20 11/15	400	510	1200	50.0	68.1	1 2	-	-	-	-	-	-	500	525	1540	162.8	171.0	3
	EVMSG20 12/15	400	510	1200	61.2	69.4	2	-	-	-	-	-	-	500	525	1540	164.1	172.3	3
	EVMSG20 13/15	400	510	1200	62.5	70.8	2	-	-	-	-	-	-	500	525	1540	165.4	173.7	3
	EVMSG20 14/18.5	400	510	1200	63.9	72.1	2	-	-	-	-	-	-	610	525	1750	181.9	190.0	3
	EVMSG20 15/18.5	400	510	1200	65.2	73.4	2	-	-	-	-	-	-	610	525	1750	183.2	191.4	3
	EVMSG20 16/18.5	400	510	1200	66.5	74.7	2	-	-	-	-	-	-	610	525	1750	184.5	192.7	3

Standard motors fitted are 3 Phase
 WEG W21 motors, E2, IP55, Class F :-
 - Aluminium motors 0.37 to 7.5 kW
 - Cast Iron motors 11 & 15 kW

Motor kW	0.37	0.55	0.75	1.1	1.5	2.2	3.0	4.0	5.5	7.5	11.0	15.0	18.5
Frame Size	71	71	80	80	90S	90L	100L	112M	132S	132S	160M	160M	160L
FLC #	0.875	1.22	1.58	2.40	3.01	4.39	5.77	7.45	10.2	13.9	20.2	27.1	33.7
Mount	Vertical Face Mount - B14A (V18)							Vertical Flange Mount - B5 (V1)					

* FLC = Motor full load current (A) @ 400 V (W21 motors)

TYPICAL NOISE DATA

Coupling Flange Size (MEC)	Power		Noise LpA - dB(A) *
	[kW]	[HP]	
71	0.37	0.5	<70
	0.55	0.75	
80	0.75	1	<70
	1.1	1.5	
90 S	1.5	2	<70
90 L	2.2	3	
100 L	3.0	4	<70
112 M	4.0	5.5	<70
132 S	5.5	7.5	72
	7.5	10	
160 M	11	15	74
	15	20	
160 L	18.5	25	