

TOS-EFJ
(EFJ with Guide Rail Device)

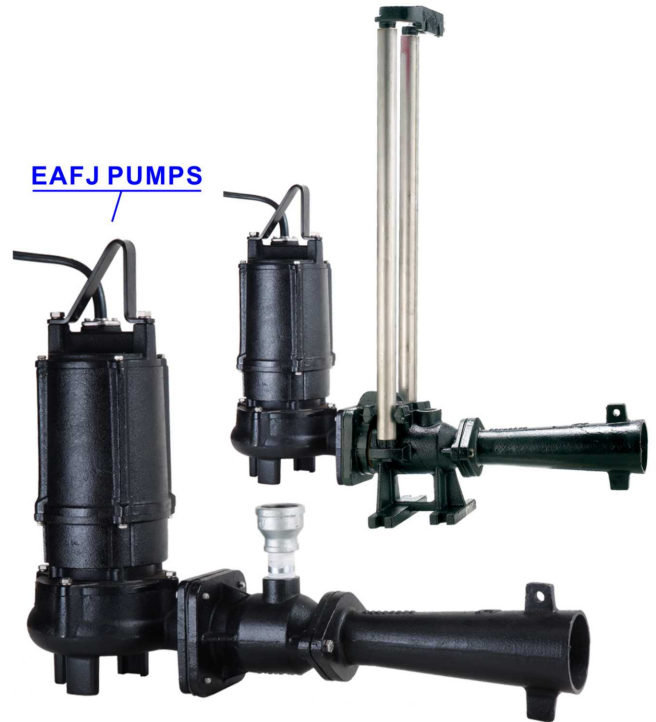
TOS-EAFJ
(EAFJ with Guide Rail Device)

50HZ

EFJ PUMPS



EAFJ PUMPS



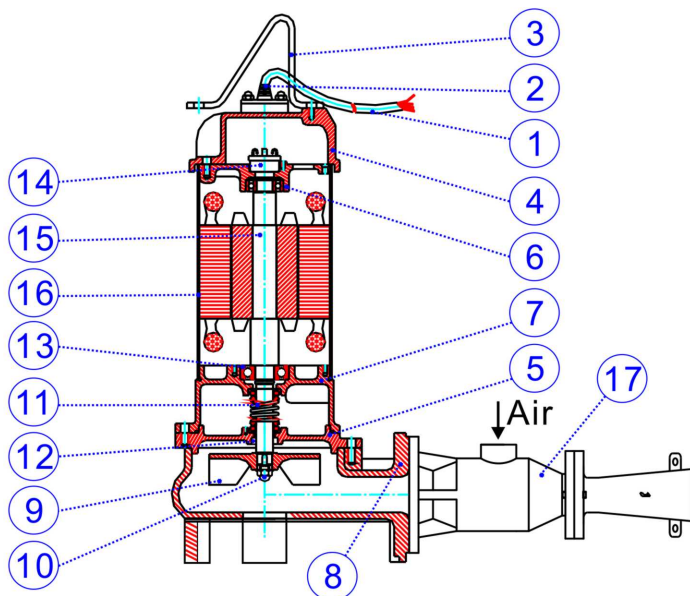
▲ Features

- High oxygen transfer rate, BOD easy to remove from wastewater treatment.
- Mixing and stirring applications for uniform MLSS due to fine bubbles convention.

▲ Motor Spec.

- 2P dry type motor.
- Insulation: F class.
- Protection: IP68.
- Frequency: 50HZ.
- Voltage: 1 ϕ 220~240V(0.5~2HP).
3 ϕ 220~440V(all models).

▲ Parts and Materials List

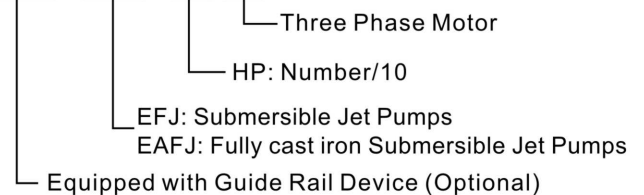


▲ Applications

- Oxygen aeration of wastewater for wastewater treatment. Oxygenated for aquaculture such as fishing farming or hydroponics applications.

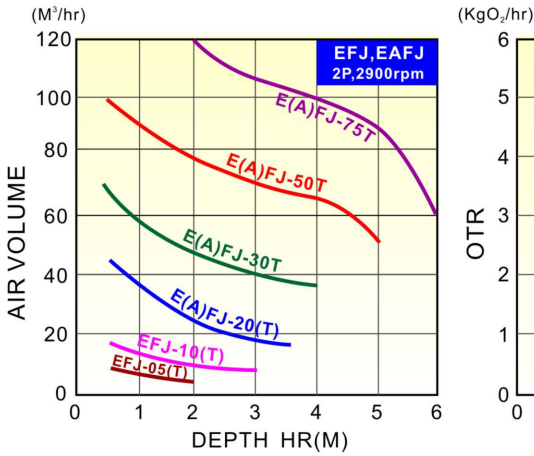
▲ Model Code

TOS-EFJ-20(T)



No.	Parts	Std. Material	
		EFJ Model	EAFJ Model
1	Cable	VCT	VCT
2	Cable hood	PVC	PVC
3	Handle	Nylon6 or SS400	SS400
4	Motor cover	Nylon66 or FC200	FC200
5	Seal housing	FC200	FC200
6	Bracket	FC200	FC200
7	Oil chamber	FC200	FC200
8	Pump casing	FC200	FC200
9	Impeller	FC200	FC200
10	Nut	SUS304	SUS304
11	Mech. seal	CA/CE	SIC/SIC
12	Oil seal	NBR	NBR
13	Bearing	(NTN or NSK brand)	(NTN or NSK brand)
14	Overload protector	(T.I.brand)	(T.I.brand)
15	Shaft	SUS410	SUS410
16	Motor housing	SUS304	FC200
17	Aerator	Fc200	FC200

Performance Ranges

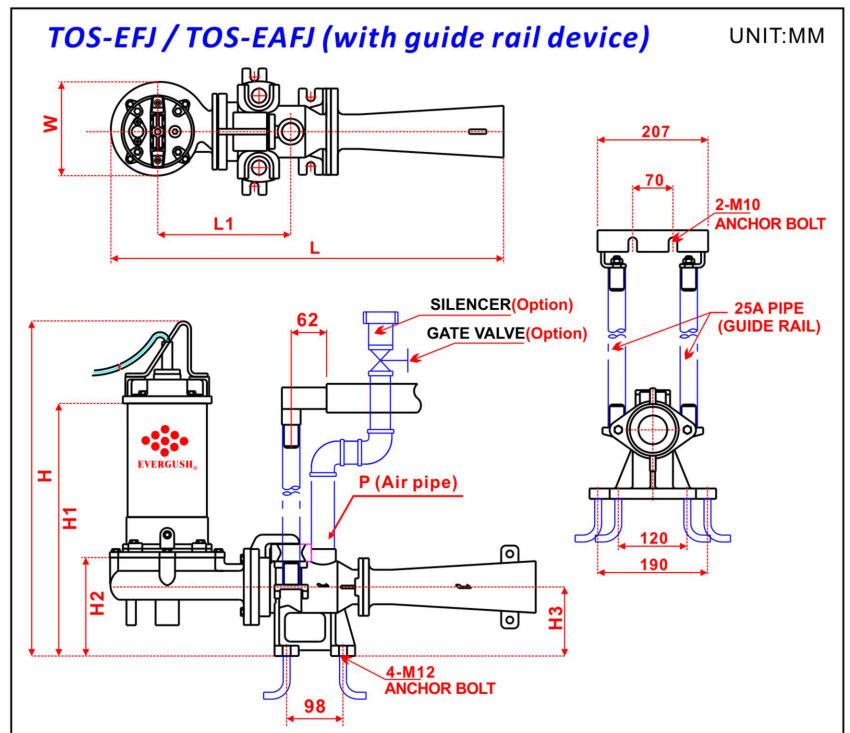
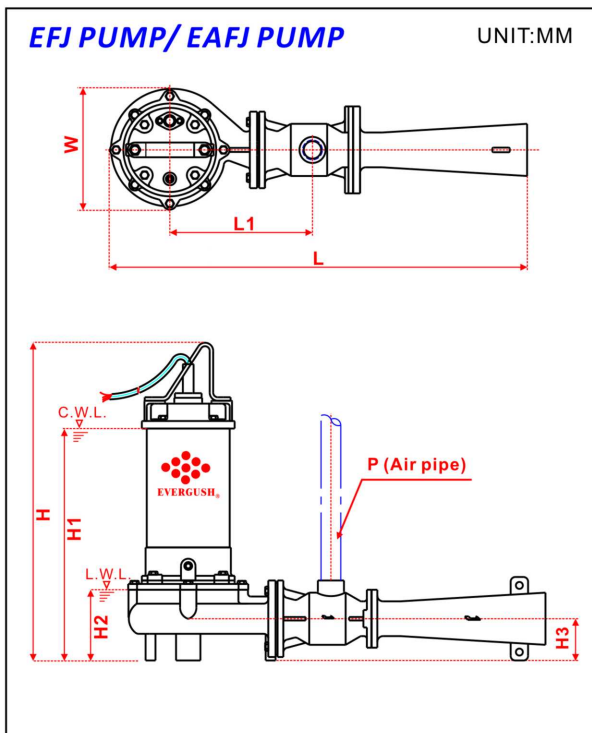


Performance Tables

Model	HP	Rated performance			Suit aeration Tank		
		Air (M ³ /hr)	OTR (KgO ₂ /hr)	HR (M)	L (M)	W (M)	H (M)
EFJ-05(T)	0.5	5	0.12~0.23	1.5	2.0	1.8	2.0
EFJ-10(T)	1	10	0.3~0.5	2.0	3.0	2.5	3.0
E(A)FJ-20(T)	2	22	0.9~1.1	2.5	4.0	3.5	3.5
E(A)FJ-30T	3	40	1.9~2.2	3.0	5.0	4.5	4.0
E(A)FJ-50T	5	70	2.8~3.3	3.5	6.0	5.0	5.0
E(A)FJ-75T	7.5	100	4.2~4.7	4.0	7.0	6.0	6.0

Remarks: ● EAFJ-Fully cast iron Submersible Jet Pumps
● (T): Three phase motor

Dimensions



EFJ / EAFJ Dimension Tables

Model	HP	Dimensions (MM)								Net Weight Kg
		L	L1	W	H	H1	H2	H3	P	
EFJ-05(T)	0.5	649	197	163	417	304	120	72	25A	23
EFJ-10(T)	1	649	197	163	471	347	120	72	25A	31
EFJ-20(T)	2	719	246	208	548	400	122	72	40A	40
EFJ-30T	3	719	246	208	568	420	122	72	40A	42
EFJ-50T	5	748	268	227	633	468	160	92	40A	52
EFJ-75T	7.5	748	268	227	673	508	160	92	40A	58
EAFJ-20(T)	2	719	246	208	532	381	122	72	40A	40
EAFJ-30T	3	719	246	208	562	411	122	72	40A	44
EAFJ-50T	5	748	268	227	625	465	160	92	40A	59
EAFJ-75T	7.5	748	268	227	665	505	160	92	40A	64

Remarks: ● (T): Three phase motor.

TOS-EFJ / TOS-EAFJ Dimension Tables

Model	HP	Dimensions (MM)								Net Weight Kg
		L	L1	W	H	H1	H2	H3	P	
TOS-EFJ-05(T)	0.5	683	231	163	465	352	168	120	25A	33
TOS-EFJ-10(T)	1	683	231	163	519	395	168	120	25A	41
TOS-EFJ-20(T)	2	753	280	208	596	448	170	120	40A	50
TOS-EFJ-30T	3	753	280	208	616	468	170	120	40A	52
TOS-EFJ-50T	5	782	302	227	661	496	188	120	40A	64
TOS-EFJ-75T	7.5	782	302	227	701	536	188	120	40A	70
TOS-EAFJ-20(T)	2	753	280	208	580	429	170	120	40A	50
TOS-EAFJ-30T	3	753	280	208	610	459	170	120	40A	54
TOS-EAFJ-50T	5	782	302	227	653	493	188	120	40A	71
TOS-EAFJ-75T	7.5	782	302	227	693	533	188	120	40A	76

Remarks: ● (T): Three phase motor.