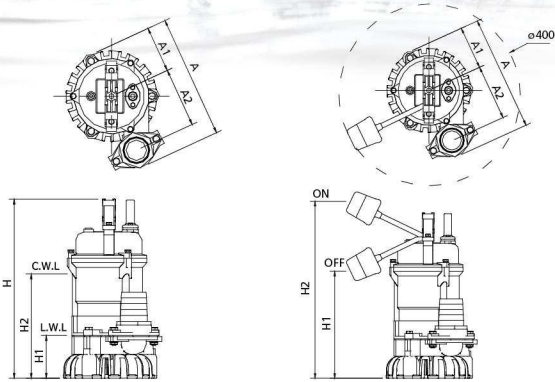


EUS-Series Dimensions



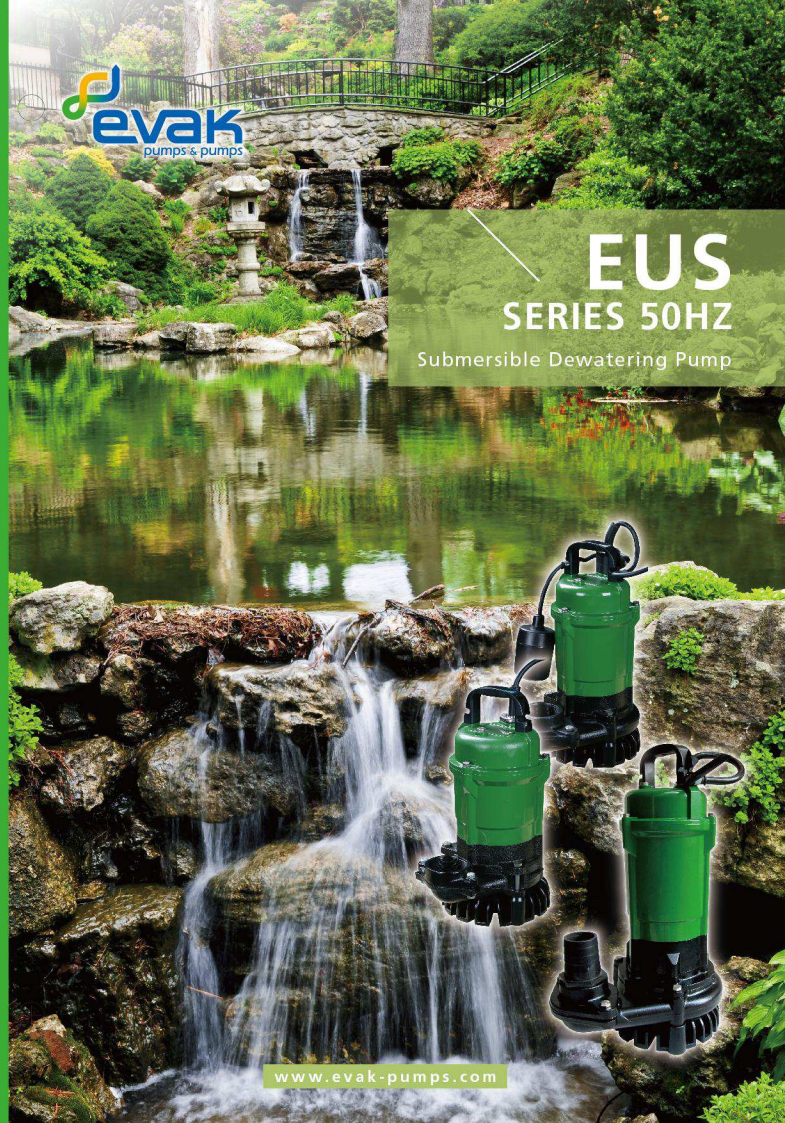
Dimensions (mm)						
Type	A	A1	A2	H	H1	H2
50EUS-5.05	243	94	117	352	84	200
50EUS-5.05A	243	94	117	352	200	400
50(80)EUS-5.10	279	94	133	377	84	225
50(80)EUS-5.10A	279	94	133	377	225	425
50(80)EUS-5.20	313	107	155	464	94	308
50(80)EUS-5.20A	313	107	155	464	294	494



EVAK PUMP TECHNOLOGY CORP.

No. 551, Zhongshan Rd., Qingshui Dist., Taichung City 436, Taiwan.
 TEL: +886-426-233556 Fax: +886-426-235559

www.evak-pumps.com



EUS SERIES 50HZ

Submersible Dewatering Pump

EUS SERIES 50HZ Submersible Dewatering Pump

Feature

- / High abrasive resistance resin Vortex impeller
- / Double mechanical seal / Designed Agitator
- / Auto reset thermal protector / Non air locking
- / Auto version for small pit usage

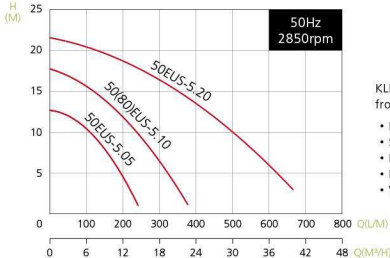
Application

- / Residential, commercial, industrial dewatering and site drainage
- / Decorative waterfalls and fountains
- / Raw water supply from lakes or rivers
- / Sediment removal from small sumps or basins

Specifications

Liquid Temperature	0~40°C (32~104°F)	
Submersible depth	10M	
Motor Part	Frequency	50Hz
	Pole	2 Pole
	Type	Dry Type
	Insulation	Class B
	Protection	IP 68
Pump Part	Protector	Auto-cut
	Bearing	Ball Type
	Mechanical seal	Dual. Mechanical Seal
Impeller	Semi-Open	

Performance Curve



Steel coated with thermoplastic polyester elastomer



Agitator



1PH Protector (Thermal)



1PH Protector (optional) (overheat & overload)



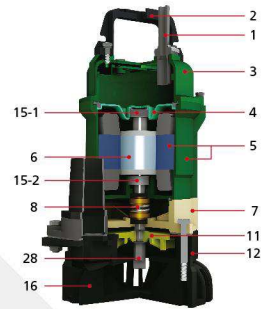
3PH Protector (overheat, overload, phase failure)

KLIXON protector provides protection against overheating from all running and stalled rotor conditions including:

- Plugging duty
- Stalling or failure to start
- Heavy overloads
- High ambient
- Ventilation failures

Parts and Material List

No	Part	Material
1	Cable	H07RN-F /SJTW/STOW
2	Handle	Nylon 6
3	Motor Cover	ADC 12
4	Bracket	Steel
5	Motor Housing + Stator	ADC12+Steel
6	Shaft with Rotor	SUS 410
7	Oil Chamber	Cast Iron
8	Mech. Seal	Upper : CA/CE Lower : SIC/SIC
11	Impeller	Hytrell
12	Pump Casing	FC 200
15-1	Upper Bearing	NTN
15-2	Lower Bearing	NTN
16	Strainer	PVC
28	Agitator	SMF5030



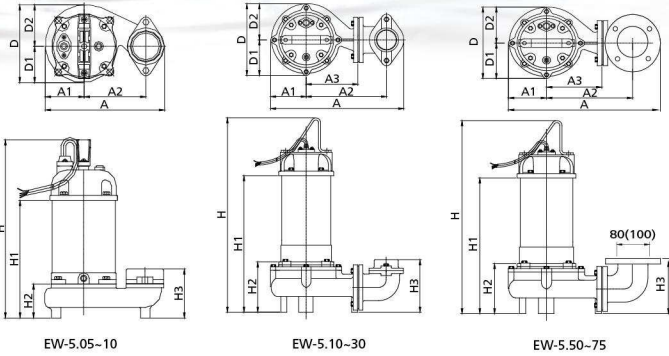
Data Chart

Type	Output		Discharge	F.L.A.		Rated	Maximum	Cable	Free Passage	Weight		
	HP	KW		1ø 230V	3ø 400V						Head m	Cap. LPM
50EUS-5.05	0.5	0.37	2"	3	0.9	10	109	12.7	242	10	6	12
50EUS-5.05A	0.5	0.37	2"	3	0.9	10	109	12.7	242	10	6	12.5
50(80)EUS-5.10	1	0.75	2"(3")	5.6	1.9	12	196	18	378	10	6	15
50(80)EUS-5.10A	1	0.75	2"(3")	5.6	1.9	12	196	18	378	10	6	15.5
50(80)EUS-5.20	2	1.5	2"(3")	13	3.5	16	315	21.5	666	10	6	19
50(80)EUS-5.20A	2	1.5	2"(3")	13	3.5	16	315	21.5	666	10	6	19.5

- » A identifies black float switch.
- » All single-phase and three-phase pumps can be equipped with float switch upon request.
- » Key float switch are available to choose.



EW-Series Dimensions



Dimensions (mm)												
Type	A	A1	A2	A3	D	D1	D2	H	H1	H2	H3	
50EW-5.05	228	73	155	NA	150	69	81	412	297	117	138	
50EW-5.10	228	73	155	NA	150	69	81	487	345	117	138	
*50(80)EW-5.10	312	82	183	101	163	76	87	494	351	124	156	
50(80)EW-5.20	390	103	235	151	210	105	105	532	400	150	152	
50(80)EW-5.30	390	103	235	151	210	105	105	552	420	150	152	
80(100)EW-5.50	470	110	257	170	218	98	120	633	468	160	206	
80(100)EW-5.75	470	110	257	170	218	98	120	673	508	160	206	

» Note1 : Automatic models are available in single-phase versions(0.5-1HP) and in three-phase versions(0.5-2HP).
 » Note2 : Q.D.C. (Quick Discharge Connection) is applied to all models.
 » Note3 : *50(80)EW-5.10 is Elbow Type.



EVAK PUMP TECHNOLOGY CORP.

No. 551, Zhongshan Rd., Qingshui Dist., Taichung City 436, Taiwan.
 TEL: +886-426-233556 Fax: +886-426-235559



EW

SERIES 50HZ

Submersible Vortex Sewage Pump



www.evak-pumps.com

EW

SERIES 50HZ

Submersible Vortex Sewage Pump

Feature

- / Vortex Impeller / Non-clogging
- / Minimized abrasive wear
- / Large impeller clearance
- / Maintenance free
- / Double Mech. Seal

Application

- / Medium concentration wastewater
- / Heavy duty

Specifications

Liquid Temperature	0~40°C (32~104°F)
Submersible depth	10M
Frequency	50Hz
Pole	2 Pole
Type	Dry Motor
Insulation	Class E
Protection	IP 68
Protector	Auto-cut
Bearing	Ball Type
Mechanical seal	Dual, Mechanical Seal
Impeller	Vortex



50EW-5.05

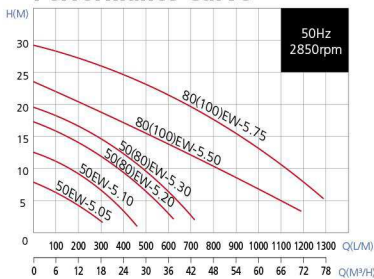


50(80)EW-5.20



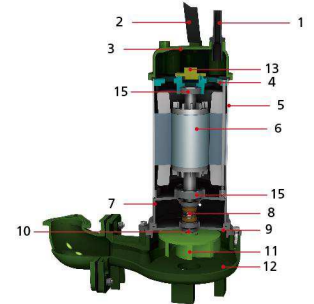
Vortex Impeller

Performance Curve

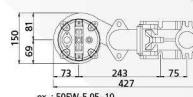


Parts and Material List

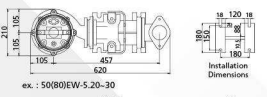
No	Part	Material
1	Cable	H07 / UL
2	Handle	Nylon 6/5S41
3	Motor Cover	Nylon 66 / FC 200
4	Bracket	FC 200
5	Motor Housing	SUS 304
6	Shaft with Rotor	SUS 410
7	Oil Chamber	FC 200
8	Double Mech.Seal	Upper : CA / CE Lower : SIC / SIC
9	Seal Housing	FC 200
10	Oil Seal	NBR
11	Impeller	FC 200
12	Pump Casing	FC 200
13	Protector	
15	Bearing	NTN



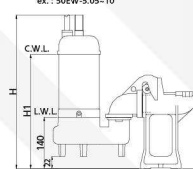
EW-Series with QS / QM



ex. : 50EW-5.05-10

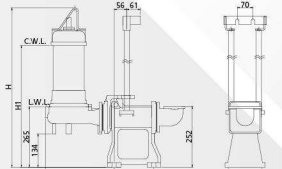


ex. : 50(80)EW-5.20-30



EW with QS Q.D.C

Output	Discharge	Dimensions(mm)	
HP	KW	Inch	mm
0.5	0.37	2"	50
1	0.75	2"	50



EW with QM Q.D.C

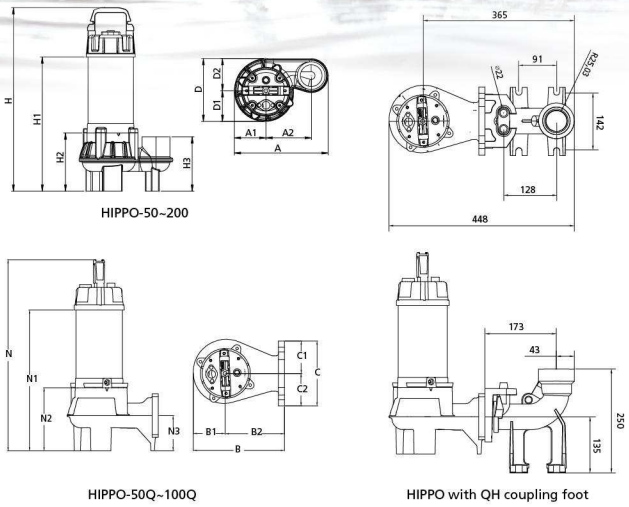
Output	Discharge	Dimensions(mm)	
HP	KW	Inch	mm
2	1.5	2"(3")	50(80)
3	2.2	2"(3")	50(80)
5	3.7	3"(4")	80(100)
7.5	5.5	3"(4")	80(100)

Selection Table

Type	Output	Discharge	F.L.A.	Rated	Maximum	Cable	Free Passage	Weight	Q.D.C.				
	HP	KW	Inch	1ø 230V 3ø 400V	Head m	Cap. LPM	M	mm	kg				
50EW-5.05	0.5	0.37	2"	4	10.2	6	150	8	320	10	35	13.2	QS-50
50EW-5.10	1	0.75	2"	6	2	9	200	12.5	460	10	35	18	OS-50
50(80)EW-5.20	2	1.5	2"(3")	11.3	3.5	10	350	17.5	650	10	45	34.7	QM-80
50(80)EW-5.30	3	2.2	2"(3")	-	5.2	11	450	19.5	750	10	45	35.8	QM-80
80(100)EW-5.50	5	3.7	3"(4")	-	8.6	10	800	23.5	1200	10	45	56	QM-100
80(100)EW-5.75	7.5	5.5	3"(4")	-	12	12	1040	29.5	1400	10	45	62	QM-100

» 50EW-5.05 : Flange Type
 » 50EW-5.10 : Flange Type / Elbow Type (2" or 3" / Fit with Q.D.C. QM-80)
 » 50(80)EW-5.20-30 : Elbow Type
 » 80(100)EW-5.50-75 : Elbow Type

HIPPO-Series Dimensions



Dimensions (mm)																				
Type	A	A1	A2	B	B1	B2	C	C1	C2	D	D1	D2	H	H1	H2	H3	N	N1	N2	N3
HIPPO-50	244	82	118	231	81	150	165	82.5	82.5	164	80	84	466	336	151	141	470	342	161	90
HIPPO-75	244	82	118	231	81	150	165	82.5	82.5	164	80	84	482	352	151	141	486	358	161	90
HIPPO-100	244	82	118	231	81	150	165	82.5	82.5	164	80	84	496	366	151	141	500	372	161	90
HIPPO-150	271	93	135	-	-	-	-	-	-	186	88	98	506	376	151	143	-	-	-	-
HIPPO-200	271	93	135	-	-	-	-	-	-	186	88	98	520	396	151	143	-	-	-	-



EVAK PUMP TECHNOLOGY CORP.

No. 551, Zhongshan Rd., Qingshui Dist., Taichung City 436, Taiwan.
 TEL: +886-426-233556 Fax: +886-426-235559



HIPPO SERIES 50HZ

2" Full Free Passage Submersible Pump



www.evak-pumps.com

HIPPO SERIES 50HZ

2" Full Free Passage Submersible Pump

Feature

- / Recessed vortex impeller
- / 2" gas discharge
- / 2"(50mm) solid free-passage
- / EKK Eagle Burgmann double mechanical seal in Si.Ca
- / Stainless steel motor housing

Application

- / For heavy-duty applications with soiled biological wastewaters, sewage, rainwater
- / For both domestic and professional use

Operating Limits

- / Viscosity of treated fluid : 1mm²/s
- / Density of treated fluid : 1kg/dm³
- / Max starts per hour : 20



Vortex Impeller



HIPPO-50Q

HIPPO-50

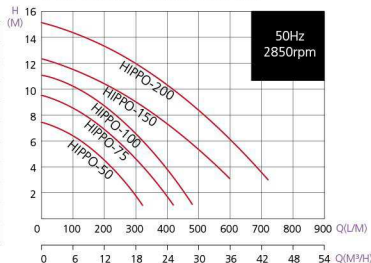


HIPPO-50Q+QH coupling foot

Specifications

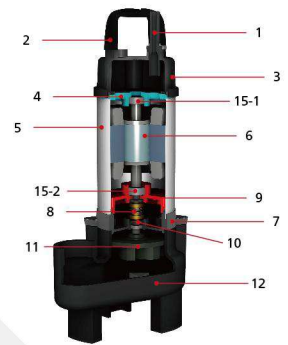
Liquid Temperature	0~40°C (32~104°F)	
Submersible depth	10M	
Motor Part	Frequency	50Hz
	Pole	2 Pole
	Type	Dry Type
	Insulation	Class B
	Protection	IP 68
	Protector	Auto-cut
	Bearing	Ball Type
Pump Part	Mechanical seal	Double Mechanical Seal
	Impeller	Semi-Open

Performance Curve



Parts and Material List

No	Part	Material
1	Cable	H07RN-FS/JTW/STOW/SJTOW
2	Handle	Nylon66+30GF
3	Motor Cover	Nylon 66 (0.5-1HP)
4	Bracket	FC 200
5	Motor Housing	SUS 304
6	Shaft with Rotor	SUS 410
7	Oil Chamber	FC 200
8	Double Mech. Seal	Upper : CA / CE Lower : SIC / SIC
9	Seal Housing	FC 200
10	Oil Seal	NBR
11	Impeller	FC 200
12	Pump Casing	FC 200
15-1	Upper Bearing	NTN
15-1	Lower Bearing	NTN

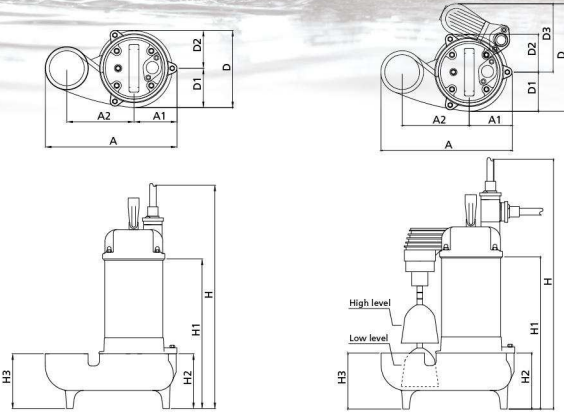


Data Chart

Type	Output		Discharge	F.L.A.		Rated	Maximum		Cable	Free Passage		Weight
	HP	KW		1ø 230V	3ø 400V		Head m	Cap. LPM		Head m	Cap. LPM	
HIPPO-50(Q)	0.5	0.37	2"	3.8	1.5	4.5	200	7.6	320	10	50	14(15.5)
HIPPO-75(Q)	0.75	0.55	2"	5.4	1.7	6.4	220	9.7	420	10	50	15(16.5)
HIPPO-100(Q)	1	0.75	2"	6.7	2.4	7.7	250	11.3	480	10	50	16.5(18)
HIPPO-150(Q)	1.5	1.1	2"	9	2.8	8	360	12.5	600	10	50	25(26.5)
HIPPO-200(Q)	2	1.5	2"	12	3.9	10.3	400	15.5	720	10	50	26(27.5)

- » HIPPO series standard version features a vertical, threaded outlet pump body.
- » (Q) in the name-coding identifies the pump with horizontal flanged outlet.
- » QH identifies the suitable coupling foot for all HIPPO models.
- » All single-phase pumps can be equipped with float switch upon request.

ESV-Series Dimensions



Dimensions (mm)

Type	A	A1	A2	D	D1	D2	D3	H	H1	H2	H3
40ESV-5.02	213	83	90	130	63	67	--	314	235	81	81
40ESA-5.02A	213	83	90	185	63	--	122	350	235	81	81
40ESV-5.02AG	213	83	90	210	63	--	147	350	235	81	81
50ESV-5.02	228	83	110	130	63	67	--	324	245	91	91
50ESV-5.02A	228	83	110	185	63	--	122	360	245	91	91
50ESV-5.02AG	228	83	110	210	63	--	147	360	245	91	91
40ESV-5.03	213	83	90	130	63	67	--	324	245	81	81
40ESV-5.03A	213	83	90	185	63	--	122	360	245	81	81
40ESV-5.03AG	213	83	90	210	63	--	147	360	245	81	81
50ESV-5.03	228	83	110	130	63	67	--	334	255	91	91
50ESV-5.03A	228	83	110	185	63	--	122	370	255	91	91
50ESV-5.03AG	228	83	110	210	63	--	147	370	255	91	91



EVAK PUMP TECHNOLOGY CORP.

No. 551, Zhongshan Rd., Qingshui Dist., Taichung City 436, Taiwan.
TEL: +886-426-233556 Fax: +886-426-235559

10/19/2016 10:00 AM



ESV SERIES 50HZ

Submersible Vortex Sewage Pump



www.evak-pumps.com

ESV SERIES 50HZ

Submersible Vortex Sewage Pump

Feature

- / Oil Chamber design to ensure Mech. Seal long service life
- / Suspended impeller design, non-clogging
- / E class insulation

Application

- / Discharge water
- / Livestock production
- / Sprinkling
- / Sump pit

Specifications

Liquid Temperature	0~40°C (32~104°F)
Submersible depth	10M
Frequency	50Hz
Pole	2 Pole
Motor Type	Dry Motor
Insulation	Class E
Protection	IP 68
Protector	Auto-cut
Pump Bearing	Ball Type
Mechanical seal	Dual. Mechanical Seal
Impeller	Semi-Open



ESV-5.02/5.03



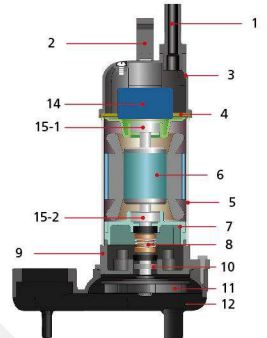
ABS+Glass Fiber Impeller



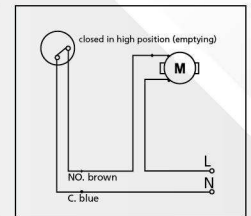
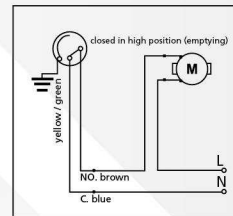
ESV-5.02AG/5.03AG

Parts and Material List

No	Part	Material
1	Cable	H05RN-F/STJOW
2	Handle	PA6
3	Motor Cover	PA66+Glass Fiber
4	Bracket	Steel
5	Motor Housing	SUS 304
6	Shaft with Rotor	SUS 410
7	Oil Chamber	FC 200
8	Double Mech. Seal	Upper : CA/CE Lower : CA/CE
9	Seal Housing	Nylon
10	Oil Seal	NBR
11	Impeller	ABS + Glass Fiber
12	Pump Casing	FC 200
14	Capacitor (Single phase only)	
15-1	Upper Bearing	NTN
15-2	Lower Bearing	NTN

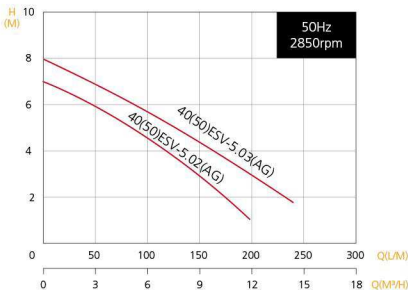


AGMA W level regulator



Agma W level regulator is a very useful instrument when used directly on pumps which must work in very small wells

Performance Curve



Data Chart

Type	Output		Discharge	F.L.A.		Rated		Maximum		Cable	Free Passage	Weight
	HP	W		1ø 230V	3ø 400V	Head m	Cap. LPM	Head m	Cap. LPM			
40(50)ESV-5.02	0.2	150	1.5"(2")	1.6	-	4	110	7	180	5	24	7.2
40(50)ESV-5.02A	0.2	150	1.5"(2")	1.6	-	4	110	7	180	5	24	7.5
40(50)ESV-5.02AG	0.2	150	1.5"(2")	1.6	-	4	110	7	180	5	24	7.5
40(50)ESV-5.03	0.3	250	1.5"(2")	2	-	4.5	140	8	230	5	25	7.4
40(50)ESV-5.03A	0.3	250	1.5"(2")	2	-	4.5	140	8	230	5	25	7.7
40(50)ESV-5.03AG	0.3	250	1.5"(2")	2	-	4.5	140	8	230	5	25	7.7

* A Identifies black float switch ; AG Identifies AGMA W level regulator.