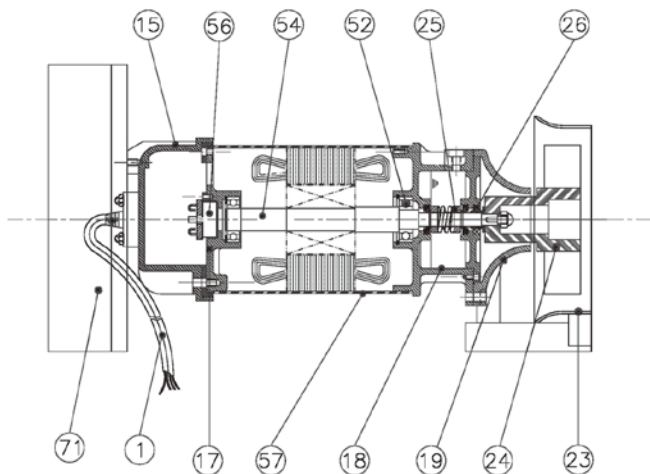


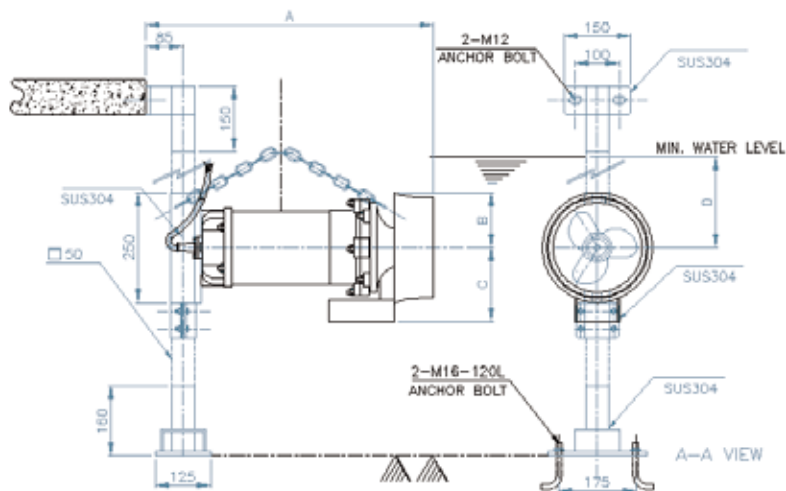
EM-Series 50Hz Compact Mixer



- > Compact design
- > More efficient bulk flow
- > The angular contact ball bearing resists to axial force



Parts and Material List		
No	Part	Mtrl
1	Cable	UL STW
15	Motor Cover	SUS 304
17	End Bell	SUS 304
18	Bracket	SUS 304
19	Inlet Cover	SUS 304
23	Jet Ring	SUS 304
24	Impeller	Nylon
25	Mechanical Seal	CA/CE
26	Oil Seal	NBR
52	Bearing	30205/6205
54	Shaft	SUS 304
56	Overload Protector	
57	Motor Housing	SUS 304
71	Sliding Seat	SUS 304



Specifications

Type	Output		Capacity M ³ /min	Poles P	Dimension (mm)			
	HP	kw			A	B	C	D
EM-5.10	1	0.75	3.2	6	511.5	95	115	200
EM-5.20	2	1.52	4.5	6	655.5	655.5	168	250