

⦿ Application scenario of electroplating or PCB assembly line



⦿ Application scenario of wastewater transportation

Practical cases

The figures show the actual application scenarios of our products in well-known enterprises, such as Dongfeng Nissan, BYD, Beijing Hyundai Samsung, Foxconn, etc.

⦿ Application scenario of liquid medicine transportation and recovery



⦿ Application scenario of waste gas purification





PART OF OUR SUPPLIERS

PART OF OUR CUSTOMERS

Your contribution is indispensable to the high quality products of Qeehua

Think what the customer thinks, and be grateful to every customer

TOSHIBA



TONG 東明



台湾化學纖維股份有限公司
FORMOSA CHEMICALS & FIBRE CORPORATION





90°

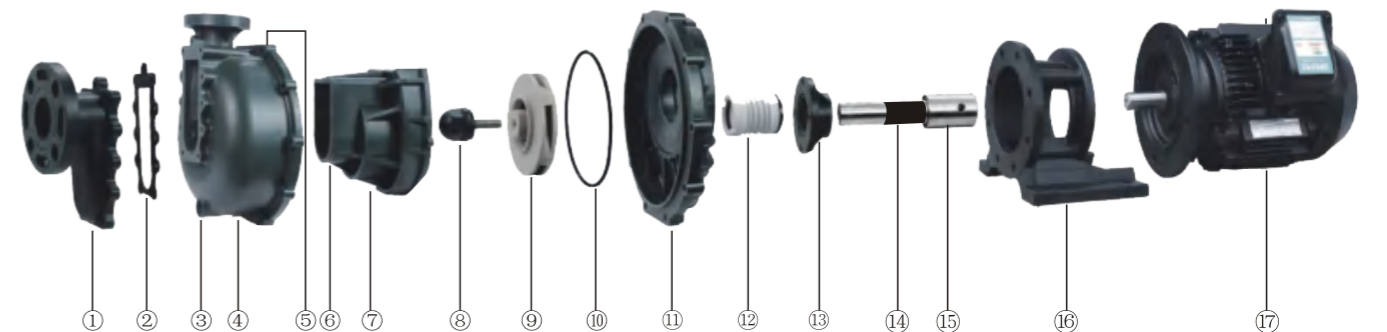
Product index

025	Magnetic pump series
039	Centrifugal pump series
053	Vertical pump series
081	Filter
090	Pneumatic diaphragm pump
091	Metering pump
093	Submerged pump
097	Blower
099	Accessories
100	Annexed table

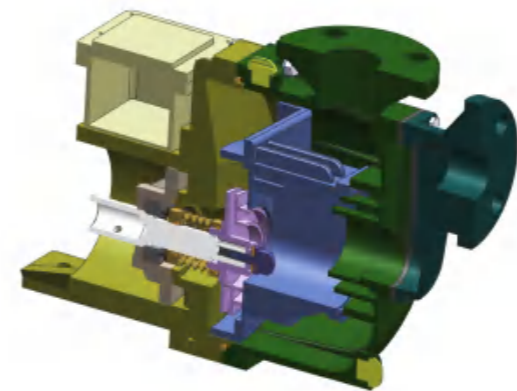


Centrifugal pump series
MODEL : QHB / QHS / QHG

Self-priming centrifugal pump [QHB series]



- ① Self-priming cylinder
- ② Self-priming cylinder gasket
- ③ Drain screw
- ④ Front cover
- ⑤ Water injection screw
- ⑥ Check valve
- ⑦ Medium closure
- ⑧ Impeller screw
- ⑨ Impeller
- ⑩ O-Ring
- ⑪ Rear cover
- ⑫ Front shaft seal
- ⑬ Rear shaft seal
- ⑭ Shaft sleeve
- ⑮ Shaft
- ⑯ Frame
- ⑰ Motor



Model description

QHB-40-02-2-E-B-L-SSH-5

① ② ③ ④ ⑤ ⑥ ⑦ ⑧ ⑨

- ① Model No.: QHB
- ② Outlet and inlet diameter: 40-40mm 50-50mm 75-75mm
- ③ Horsepower: 00-1/2HP 01-1 HP 02-2HP 03-3HP 05-5HP
- ④ Number of poles: 2:2P 4:4P
- ⑤ Rubber material: E-EPDM V-VITON(FKM)
- ⑥ A- with tongue B- without tongue
- ⑦ L- low head; H- high head
- ⑧ Shaft seal specification: SSH front and rear shaft seal SSIC
- ⑨ Frequency: 5-50H 6-60HZ

Product characteristics

- Corrosion resistance: GFRPP and PVDF special materials are used, which can withstand most acid and alkali solutions.
- It has strong self-priming force and equipped with anti-idling device.
- Applicable temperature: GFRPP - below 80 °C , PVDF - below 100 °C . The applicable temperature shall be determined according to different chemical properties.

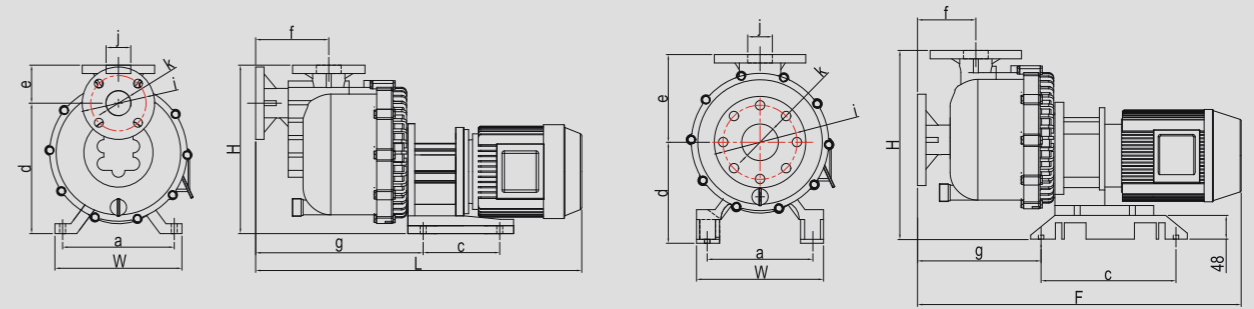
Product superiority

- The pump head is made of GFRPP and PVDF materials. The inlet flange and the self-priming cylinder are injection molded as an integration, without any welding points and leakage;
- The outlet flange and the front cover are injection molded as an integration without any welding points, which strengthens the durability of the product and prevents leakage
- It can be used in the liquid environment with particles;
- The motor is equipped with anti-idling device, which can prevent the pump head from being damaged due to pump idling in case of lack of liquid;
- The motor adopts Toshiba motor of international brand, with stable performance and ultra-quiet operation.

Product specification

Model	Inlet and outlet diameter (mm)	Max.Head (m)		Max.Capacity (L/min)		Phase	Power		Weight (kg)
		50HZ	60HZ	50HZ	60HZ		∅	p	
QHB-40002L	40/40	7	7.5	185	200	3	2	1/2	19.8
QHB-40012H	40/40	13	16	240	240	3	2	1	20
QHB-40022L	40/40	17	18	360	320	3	2	2	27.5
QHB-40022H	40/40	21	21	380	350	3	2	2	25
QHB-50032L	50/50	19	20	500	360	3	2	3	30
QHB-50032H	50/50	23	28	400	430	3	2	3	27.4
QHB-50052H	50/50	26	33	450	550	3	2	5	40
QHB-75052H	75/75	27	35	800	860	3	2	5	48

Size specification



Model	L	H	W	a	c	d	e	f	g	I	j	k
QHB-40002L	627	332	250	203	140	252	80	148	330	∅105	∅48.6	∅51.5
QHB-40012H	627	332	250	203	140	252	80	148	330	∅105	∅48.6	∅51.5
QHB-40022L	667	332	250	203	140	252	80	148	330	∅105	∅48.6	∅51.5
QHB-40022H	667	332	250	203	140	252	80	148	330	∅105	∅48.6	∅51.5
QHB-50032L	683	332	250	203	140	252	80	150	324	∅115	∅53	∅51.5
QHB-50032H	683	332	250	203	140	252	80	150	324	∅115	∅53	∅51.5
QHB-50052H	738	377	256	213	282	299	78	150	266	∅115	∅53	∅51.5
QHB-75052H	762	390	258	215	282	206	184	110	296	∅150	∅74.5	∅74.5

Performance curve

