

⊙ Application scenario of electroplating or PCB assembly line



⊙ Application scenario of wastewater transportation

Practical cases

The figures show the actual application scenarios of our products in well-known enterprises, such as Dongfeng Nissan, BYD, Beijing Hyundai Samsung, Foxconn, etc.

⊙ Application scenario of liquid medicine transportation and recovery



⊙ Application scenario of waste gas purification





90°

Product index

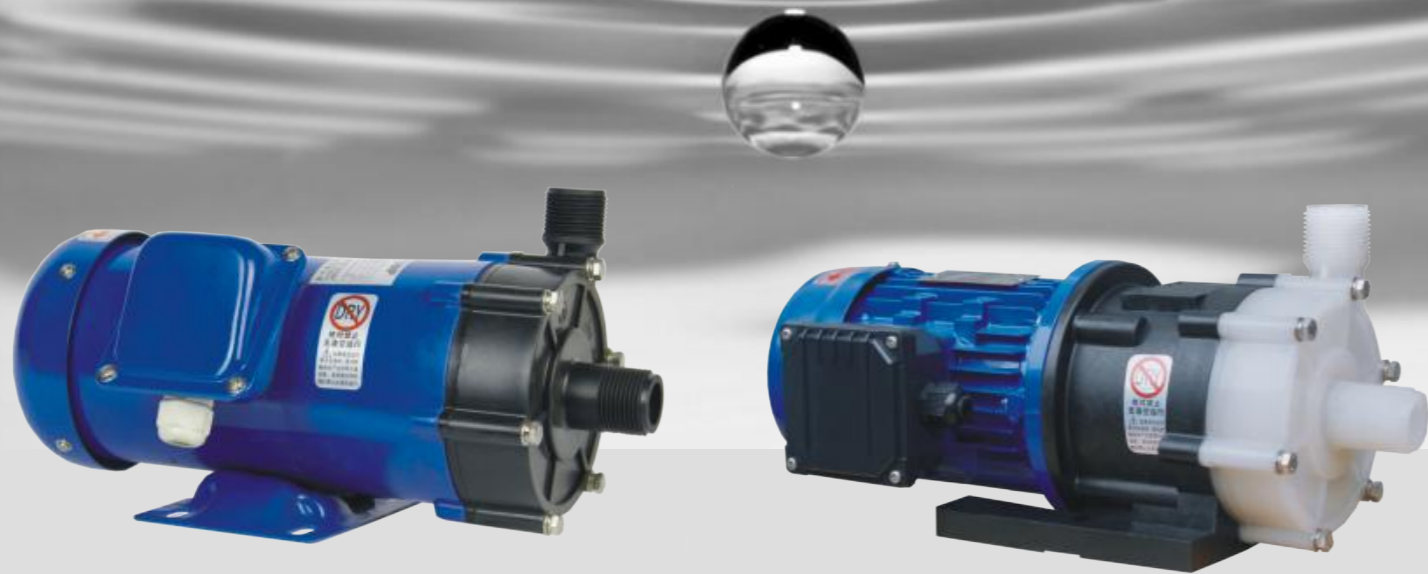
025	Magnetic pump series
039	Centrifugal pump series
053	Vertical pump series
081	Filter
090	Pneumatic diaphragm pump
091	Metering pump
093	Submerged pump
097	Blower
099	Accessories
100	Annexed table



Magnetic drive pump series

Model : MD / QHX





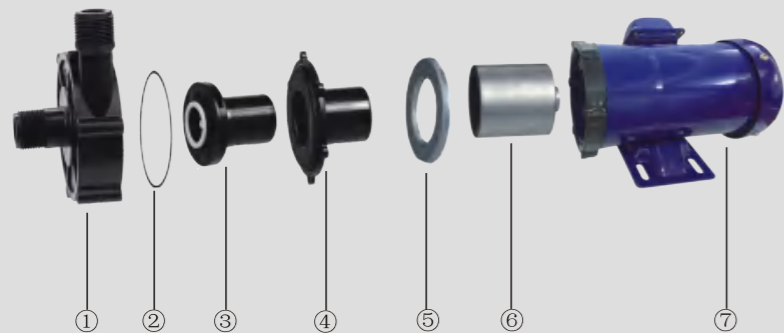
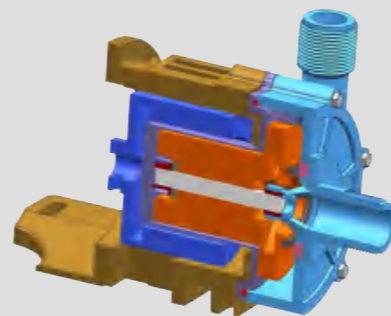
Magnetic pump [MD series]

Product characteristic

1. Magnetic drive, adopts the non-shaft-seal design, complete leakage proof;
2. Equipped with anti-idling device;
3. It is suitable for the circulation transportation of various chemical solution;
4. The applicable temperature shall be determined according to different chemical properties: GFRPP - below 80 °C, CFRPP - below 80 °C, PVDF - below 100 °C, CFRETFE - below 150 °C.

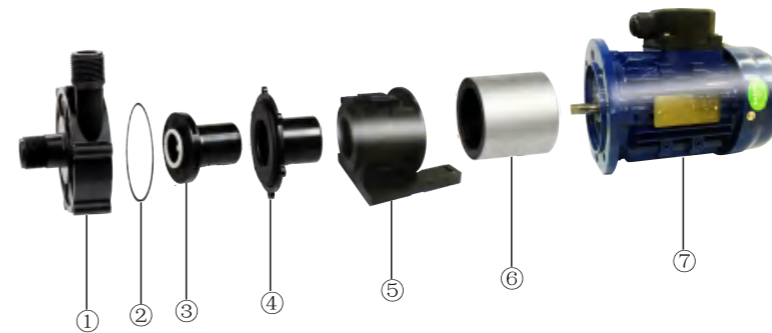
Product superiority

1. A variety of connection modes of front cover inlet and outlet are available;
2. Special sealing O-ring brings excellent sealing effect;
3. Impeller deflection is lower than 0.2mm;
4. Passive magnets and plastic shells are injection molded at one time to ensure that there is no penetration forever.
5. The shaft core is made of 99% alumina and SSIC material;
6. The connection between the motor and the pump head is a plastic injection molding integrated structure, which can prevent the corrosion of the connection caused by the leakage of acid and alkali gas and liquid;
7. The surface of drive magnet adopts resin paint baking, with better corrosion resistance. After dynamic balance test, the vibration of drive magnet is lower than 2.0mm/s;
8. The motor adopts international brand, with stable performance and ultra-quiet operation.



- ① Front cover
- ② Seal O-ring of front and rear cover
- ③ Impeller assembly
- ④ Rear cover
- ⑤ Rear cover back plate
- ⑥ Drive magnet
- ⑦ Motor

Decomposition diagram of integrated machine



Decomposition diagram of split machine

- ① Front cover
- ② Seal O-ring of front and rear cover
- ③ Impeller assembly
- ④ Rear cover
- ⑤ Connecting bracket
- ⑥ Drive magnet
- ⑦ Motor

Model description

MD- F-25-8-S-A-V-5-V38

- ① ② ③ ④ ⑤ ⑥ ⑦ ⑧ ⑨

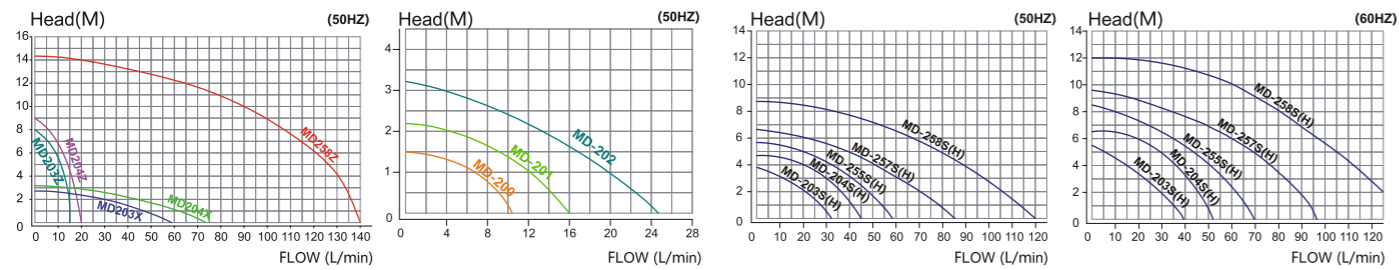
- ① Model No.: MD
- ② Pump material: F-GFRPP C-CFRPP P-PVDF E-CFRETFE
- ③ Inlet and outlet diameter: 20-3/4" 25-1"
- ④ Horsepower: 0-6W; 1-10W; 2-20W; 3-45W; 4-65W; 5-90W; 7-180W;8-260W
- ⑤ Connection: S- screw; H- hose
- ⑥ Pump shaft material: A- ceramic; S- SSIC
- ⑦ O-Ring: E-EPDM; V-VITON(FKM)
- ⑧ Frequency: 5-50HZ; 6-60HZ
- ⑨ Voltage: V11-10/110V; V22-10/220V; V38-30/220V/380V;V41-30/280V/415V

Product specification

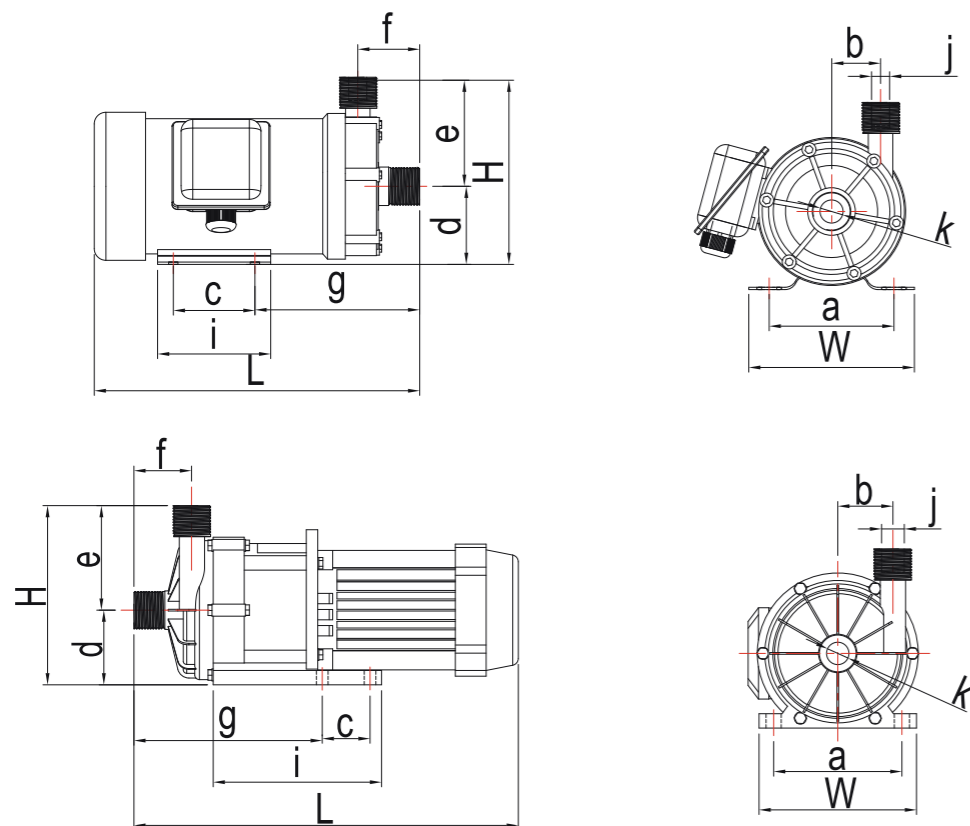
Model	Hose		Screw		Max.Capacity (L/min)		Max.Head (m)		Specific gravity	Motor		Weight (kg)
	Inlet (mm)	Outlet (mm)	Inlet	Outlet	50HZ	60HZ	50HZ	60HZ		Power (W)	Voltage (V)	
MD-200	14	14	/	/	11	12	1.5	2.1	< 1.1	6	220	0.87
MD-201	16	16	G ³ / ₄	G ³ / ₄	16	19	2.4	3.4	< 1.1	10	220	1.53
MD-202	18	18	G ³ / ₄	G ³ / ₄	27	31	3.1	4.3	< 1.1	20	220	2.1
MD-203	20	20	G ³ / ₄	G ³ / ₄	32	38	3.8	5.4	< 1.1	45	220	3.4
MD-203Z	17	17	G ³ / ₄	G ³ / ₄	15	17	8	11	< 1.1	45	220	3.4
MD-203X	26	26	G1	G1	62	72	2.9	4.1	< 1.1	45	220	3.4
MD-204	20	20	G ³ / ₄	G ³ / ₄	45	52	4.6	6.5	< 1.1	65	220	4.3
MD-204Z	20	20	G ³ / ₄	G ³ / ₄	22	27	10	13.5	< 1.1	65	220	4.3
MD-204X	26	26	G1	G1	75	85	3.3	4.7	< 1.1	65	220	4.3
MD-255	26	26	G1	G1	60	70	5.6	8.2	< 1.2	90	220/380	5.6
MD-257	26	26	G1	G1	86	97	6.7	9.7	< 1.3	180	220/380	5.5
MD-258	26	26	G1	G1	120	135	8.6	11.9	< 1.3	260	220/380	6.8
MD-258Z	26	26	G1	G1	100	100	14.5	16	< 1.3	260	220/380	6.8

Performance curve

MD203–MD258



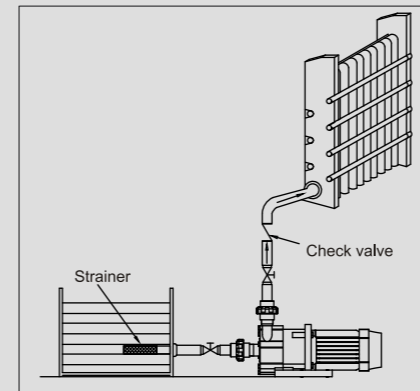
Size specification



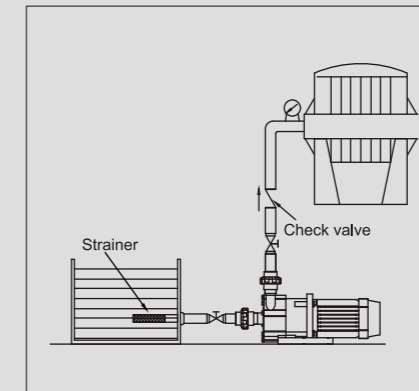
Model	L	H	W	a	b	c	d	e	f	i	g	j	K
MD-200	129	85	74	60	17	/	38.5	46.5	31	30	/	/	/
MD-201	197	99	87	68	23	46.5	45	54	38	68	97	/	/
MD-202	226.5	116.5	87	68	28.5	54	56	60.5	38	73	115	/	/
MD-203	266	129	122	100	31	40	60	69	46	64	162	Ø14.0	Ø15.5
MD-204	266	129	122	100	31	40	60	69	46	64	162	Ø14.0	Ø15.5
MD-255	276	154	142	110	43	70	64	90	51	97	138	Ø16	Ø20
MD-257	303	155	142	110	48	70	64	91	53.5	97	137	Ø16	Ø20
MD-258	338	173	155	110	50	70	77	96	61	97	157	Ø19.5	Ø21
MD-257(split machine)	333	156	136	105	43	40	66	90	51	148	200.5	Ø16	Ø20
MD-258(split machine)	370	168	150	106	45	70	68.5	99.5	62.5	155	147.5	Ø19.5	Ø21

Installation diagram

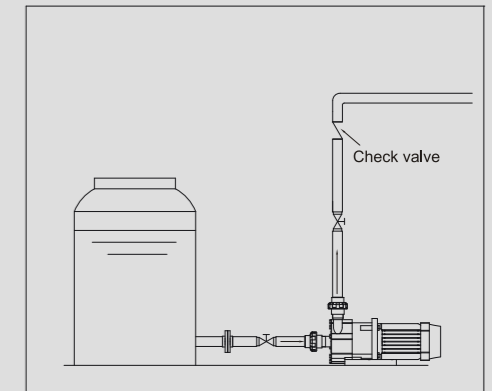
Used in heat exchanger



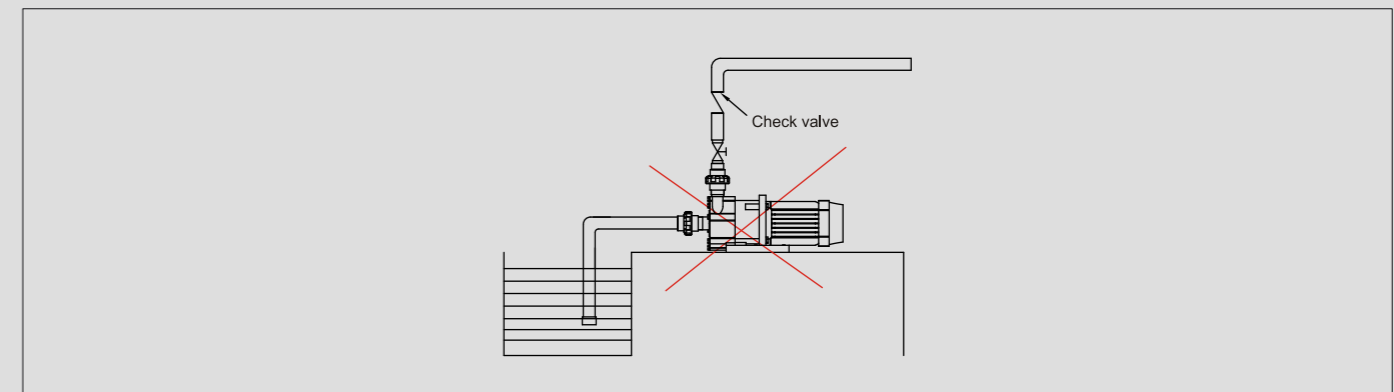
Used in reaction tank or filter compressor



Installed outside the barrel



Warning: incorrect use



Precautions for safe operation

1. Safety warning

- Running without cutting off the power will cause electric shock!
- Do not start the pump without connecting the ground wire and leakage protector!
- Electrician operation should be carried out by professional personnel!
- When operating the pump, please wear protective equipment to prevent serious injury caused by chemical solution!
- Operations related to toxic liquids may cause poisoning!
- Use the pump in strict accordance with the instructions and scope of use!
- During operation, the surface temperature of motor and pump is very high, do not touch directly!
- It is forbidden to transform the pump without permission, otherwise serious accidents will be caused. If the pump is modified without permission or in accordance with the operating instructions, the company will not bear any loss caused by the user!
- There is a strong magnet in the magnetic drive pump. Its strong magnetic field will cause obvious damage to the person wearing the electronic device (i.e. electronic pacemaker, etc.)!

2. Important note!

- No idling of the pump. The idling of the pump can make the parts inside the pump heat up by friction, which will damage the pump. Pump operation with suction valve fully closed is also considered as idling.
- In the process of operation, when dangerous signals and abnormal conditions are found, the operation shall be terminated immediately, and it shall be started after the exception is eliminated.
- The operation and use of the pump must be carried out by qualified operators.
- The pump is only allowed to be used under the specified voltage, otherwise the pump will be damaged or fire will be caused.
- The use place of the pump shall be equipped with protective measures to prevent liquid splashing or leakage.
- Operations related to toxic liquids may cause poisoning, so it is necessary to ensure adequate ventilation at the operation site.
- Do not scrape, damage, squeeze or stretch the cable with force. The use of damaged cables is likely to cause fire or electric shock.
- The covered pump is easy to cause fire or mechanical failure due to internal heat accumulation during operation.
- When a pump is under maintenance, pay attention to avoid other operators turning on the power supply switch due to mistakes. It is better to place a warning sign beside the power supply switch to inform that the pump is under maintenance.
- The liquid from the pump may be highly toxic and harmful chemicals, which must be drained to a special container for storage