

ACCESSORIES : ELBOW / GRS-GUIDE RAIL SYSTEMS

Pump can be installed with 90° Elbow with Flange outlet or GRS quick coupling system, for quick and safer for installation, removal, replacement and maintenance purpose.



ELBOW

GRS

PRODUCT FEATURES



Epoxy Cable Base

An epoxy resin seal cable base prevents moisture from entering the motor through the core wires.



Double Mechanical Seals

Superior abrasion resistant mechanical seal manufactured with silicon carbide to ensure the best seal effect.



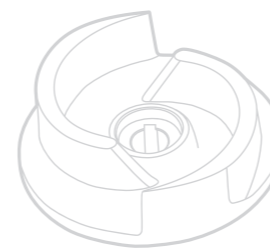
Auto-cut Protector

Automatic On/Off motor protector to prevent motor burn out due to high temperature and excess amperage draw.



High Efficiency Dry Motors

All stator coils need to be treated with insulating varnish procedure to achieving the best insulation, efficiency and durability.



A / AN 50Hz SERIES

SUBMERSIBLE WASTEWATER SUMP PUMPS



Professionalism • Innovation • Service • Commitment

HCP PUMP MANUFACTURER CO., LTD.
www.hcppump.com.tw



Distributor:

DANEN5-1608

We reserve the right to alter specifications of product at any time without giving prior notice.



AN

FEATURES

- A precision manufactured motor is achieved by utilizing the highest standard of quality control. All rotors adopt heat treatment methods for drive shaft assembling, and stator winding impregnated with varnish that is heat dried in an industrial oven. The Water Resistance for Pump can reach IP68 Grade.
- HCP's professional assembly line, complimented with a synthesized production test, ensures the highest level of pump quality.
- Standard accessories include : cable with an epoxy resin sealed water-resistant cable base, Auto-cut Protector, dual mechanical seals and lip seal design.
- The A-05A is an extremely practical pump, with a low temperature, oil filled motor and single seal design (CA/CE).

Semi-open (Vortex Impeller)

Produces a vortex (whirlpool effect) allowing long fibrous materials and other solid waste to pass through, without contact with the impeller.

Semi-open

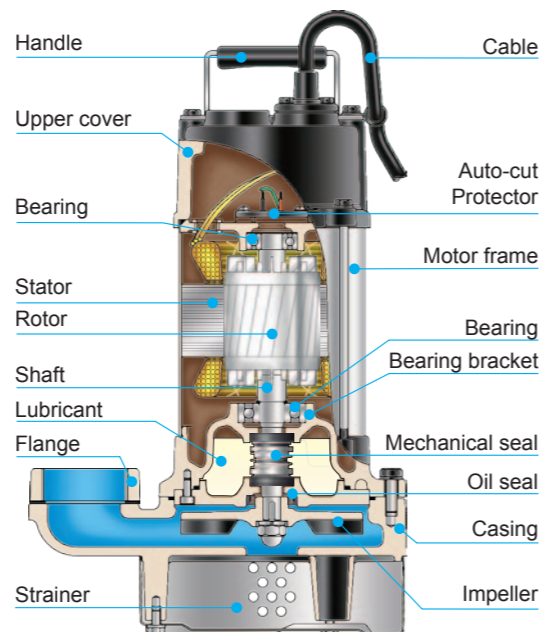
Excellent to use with waste materials to prevent from clogging.

APPLICATIONS

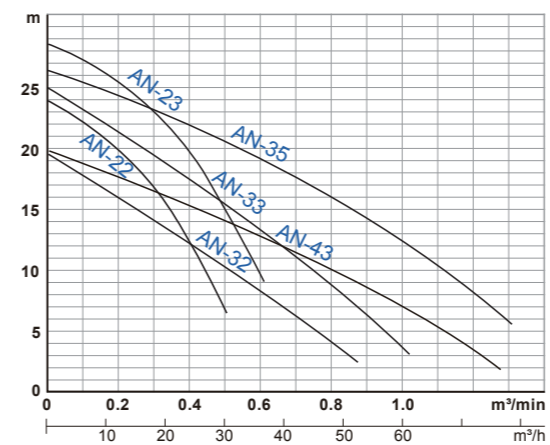
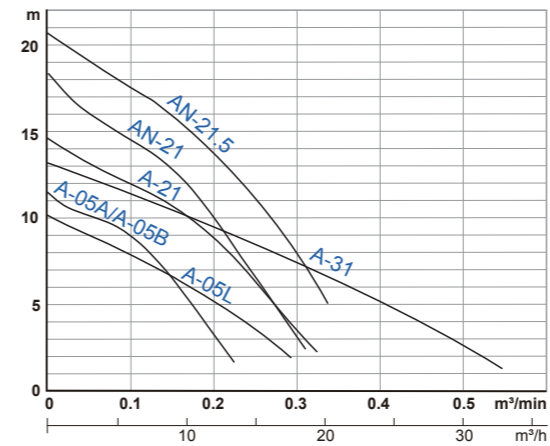
- waste water.
- Sump Drainage.
- Flood control.
- Dewatering for fish pond or basement and cellars.

PRODUCT NOMENCLATURE

A/ AN	—	2	1
Type		Discharge inch	HP



PERFORMANCE CURVES



SPECIFICATIONS

Item	Description
Limits Of Use	Liquid Temp. 0~40°C
	Applications Wastewater Sewage and Drainage waster
Type	Frequency 50Hz
	Motor 2P(3000rpm) • Dry Motor (A-05A: Oil Motor)
	Insulation Class B
	Protection IP68
	Protector Auto-cut Protector (A-05A/05B/05L 10 Thermal)
	Bearing Ball Type
	M.seal Double M.seals (A-05A: Single M.seal)
Material	Impeller Semi-open
	Upper Cover FC200
	Motor Frame SUS304
	Shaft SUS410 (0.5~1.5HP) • SUS403 (2~5HP)
	M.seal Upper: Carbon/ceramic Lower: Silicon/Silicon (A-05A: Carbon/Ceramic)
	Casing FC200
	Impeller FC200(A-05A/05B : PA)
Cable VCT or H07RN-F or SJOW/SOW	
Optional	Pumps can be customized to fit specifications

PERFORMANCE SPECS.

Note: Weight Not Included Cable & Elbow Set

Model	Output HP(kW)	Discharge Inch(mm)	Phase Ø	Start Method	Head m	Standard		Solid Passage mm	Weight kg		Dimensions mm				
						m³/min	m³/h		1Ø	3Ø	A	B	C	D	
A-05A	0.5 (0.4)	2" (50)	1	Capacitor	8	0.1	6	7.5	12	-	225	-	161	349	-
A-05B	0.5 (0.4)	2" (50)	1	Capacitor	8	0.1	6	7.5	13	12	225	-	161	371	371
A-05L	0.5 (0.4)	2" (50)	1	Capacitor	7	0.15	9	10	16	14	245	-	173	428	428
A-21	1 (0.75)	2" (50)	1	Capacitor	10	0.18	10.8	10	17	15	245	-	173	428	428
A-31	1 (0.75)	3" (80)	1	Capacitor	6.5	0.3	18	10	18	17	278	-	173	456	456
AN-21	1 (0.75)	2" (50)	1	Capacitor	13.5	0.12	7.2	7	18	17	262	-	187	408	408
AN-21.5	1.5 (1.1)	2" (50)	1	Capacitor	15	0.16	9.6	7	20	18	262	-	187	428	408
AN-22	2 (1.5)	2" (50)	1	Capacitor	18.5	0.25	15	10.5	31	27	282	-	207	580	499
AN-32	2 (1.5)	3" (80)	1	Capacitor	10.5	0.5	30	10.5	33	29	391	249	208	591	510
AN-23	3 (2.2)	2" (50)	1	Capacitor	23.5	0.3	18	10.5	35	29	282	-	207	592	499
AN-33	3 (2.2)	3" (80)	1	Capacitor	15.5	0.5	30	10.5	37	32	391	249	208	603	510
AN-43	3 (2.2)	4" (100)	1	Capacitor	11.5	0.7	42	20	37	32	389	248	207	601	520
AN-35	5 (3.7)	3" (80)	3	Direct	19	0.6	36	20	-	35	440	248	207	-	540

